

EANCOM 2002 Syntax 4
Edition 2016_Update 2021

Forwarding and consolidation summary message
(IFCSUM)

| | |
|-------------------------|-----|
| Introduction..... | 2 |
| Branching Diagram | 5 |
| Message Structure..... | 18 |
| Segmentlayout..... | 21 |
| Codes | 135 |
| Example..... | 435 |

Einführung

Introduction

The following message specification is based on the publication of the "Forwarding and Consolidation Summary Message" of GS1 Global in syntax 4.

Status

MESSAGE TYPE: ICFSUM
REFERENCE DIRECTORY: D.01B
EANCOM® SUBSET VERSION: 004

Definition

A message from the party issuing either an instruction or a booking regarding forwarding/transport services for a collection of consignments under conditions agreed, to the party arranging the forwarding and/or transport services.

The IFCSUM message can also be used as an arrival notice for multiple consignments.

Principles

This message should NOT be used to instruct the despatch of products. The 'Instruction To Despatch (INSDDES)' message should be used for this purpose.

The instruction results in a transport contract for multiple consignments and is primarily meant for administrative purposes. It will be the message from shipper to carrier or forwarder containing the final details of the consignments for which services are provided. The instruction message is the one and only message which results in the actual contract which can either be a document or an electronic contract.

If only one message will suffice in an exchange between a shipper and a carrier/forwarder to convey the information related to multiple consignments then the instruction message should be the one as this message is the only message that results in a contract.

IFCSUM focuses on separate business areas in transport where the view on the operations is transport means or equipment oriented rather than consignment oriented. The IFCSUM provides a statement for a means of transport or equipment regarding the consignments carried. The IFCSUM message also provides a means to incorporate the control and auditability information needed for the receiver of the message to perform the operation to be carried out.

IFCSUM can be used in the distribution industry as the description of all consignments to be collected together at one location and to be delivered to possibly different locations.

The message provides information concerning cargo carried specifying the details regarding carrier, mode of transport, means of transport, equipment and the necessary details of the consignments.

In addition to the main principles detailed above, a number of general principles also apply:

The IFCSUM message may contain one or many consignments.

- A consignment may contain several goods items.

Einführung

- A consignment is identified by a consignor's reference number (code CU) in the CNI segment.
- Goods items may or may not be containerised.
- Goods items may be transported in one or more containers, and a single container may contain one or more goods items.
- One goods item may be related to one or more customs tariff codes.
- Goods items related to one customs tariff code may be carried in one or more containers.
- Transport devices, which have the ability of powered movement on their own, are specified in the transport details group. Other load or transport devices are specified as equipment.
- Packaging for goods items can be expressed at up to five levels.
- A goods item consists of one or more despatch units that adhere to the same package type and goods description.
- A despatch unit is the unit of cargo that will be handled and to which an SSCC can be affixed.

The IFCSUM message can also be used as an arrival notice.

Glossary

A number of generic transport terms are used in this specification, to be described as:

CONSIGNEE

The organisation (party) which has the intention to receive the goods.

CONSIGNOR

The party ordering transport, orders a carrier to collect goods for transportation.

CONSIGNMENT

A collection of goods items to be transported from one or many despatch locations to one or many delivery locations. (synonym: shipment).

CARRIER

The party contracted by the consignor or forwarder to transport goods.

DESPATCH LOCATION

The physical location from which goods for transport are shipped.

DELIVERY LOCATION

The physical location to which goods for transport are finally delivered.

EQUIPMENT

Material resources necessary to facilitate the transport and handling of cargo. Transport equipment does under the given circumstances not have the ability to move by its own propulsion (e.g. sea container, trailer, unit load device, pallet).

FORWARDER

The party contracted by the consignor to arrange to have the goods transported.

Einführung

GOODS ITEM

A collection of products normally grouped together for transport purposes, e.g. 12 pallets of foodstuffs.

LINE ITEM

A specific product identified and defined for trade purposes, e.g. a case of flour containing 24 packets of 250 grams.

MODE OF TRANSPORT

The method of transport used for the conveyance of goods or persons, e.g. by rail, by road, by sea.

MEANS OF TRANSPORT

Der für den Transport von Gütern oder Personen eingesetzte Verkehrsträger, z. B. Flugzeug, LKW oder Schiff.

PLACE OF ACCEPTANCE

The place at which the responsibility of the carrier starts.

PLACE OF DELIVERY

The place at which the responsibility of the carrier ends.

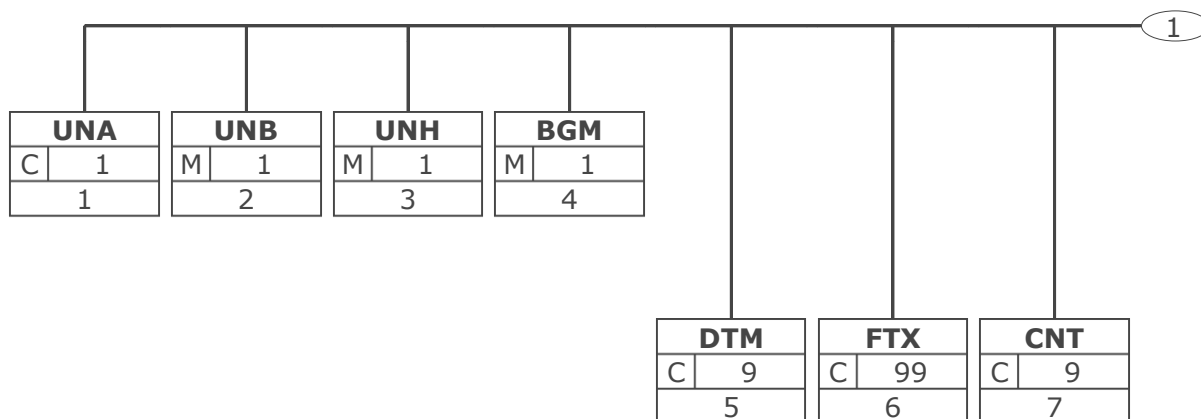
TYPE OF MEANS OF TRANSPORT

The type of vehicle used in the transport process, e.g. wide body, tank truck, passenger vessel.

TYPE OF EQUIPMENT

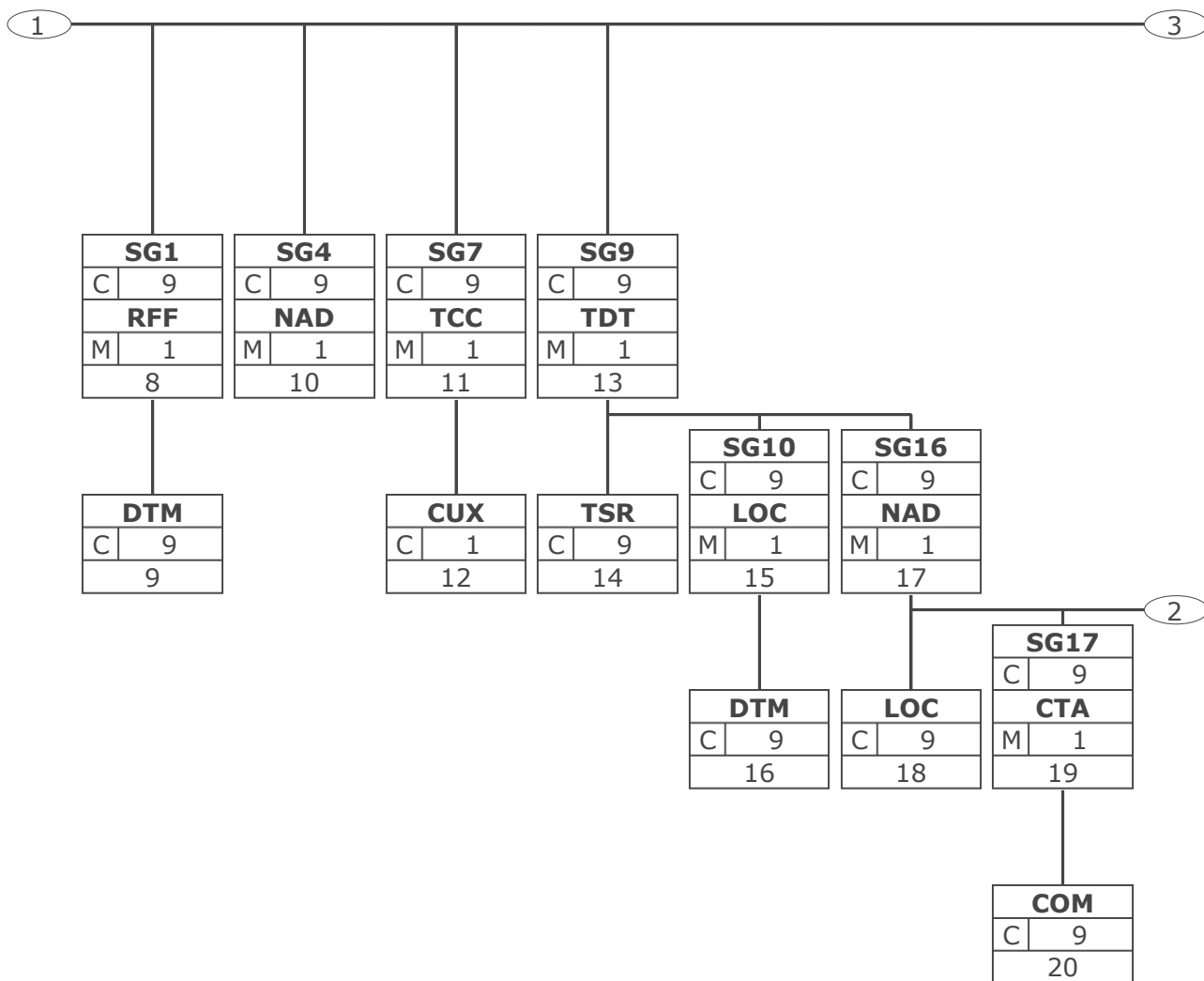
The type of material used, e.g. 40 feet container, four way pallet, mafi trailer.

Branching Diagram



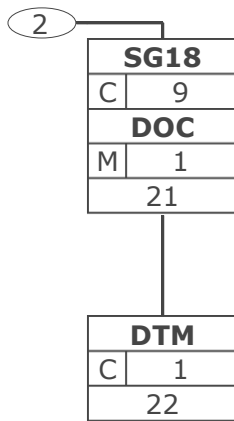
| | |
|-------------|--|
| Tag | Tag = Segment/Group Tag |
| St MaxOcc | St = Status (M=Mandatory, C=Conditional, R=Required, O=Optional, A=Advised, D=Dependent) |
| No | MaxOcc = Maximum occurrence of the segment/group; No = Consecutive segment number |

Branching Diagram



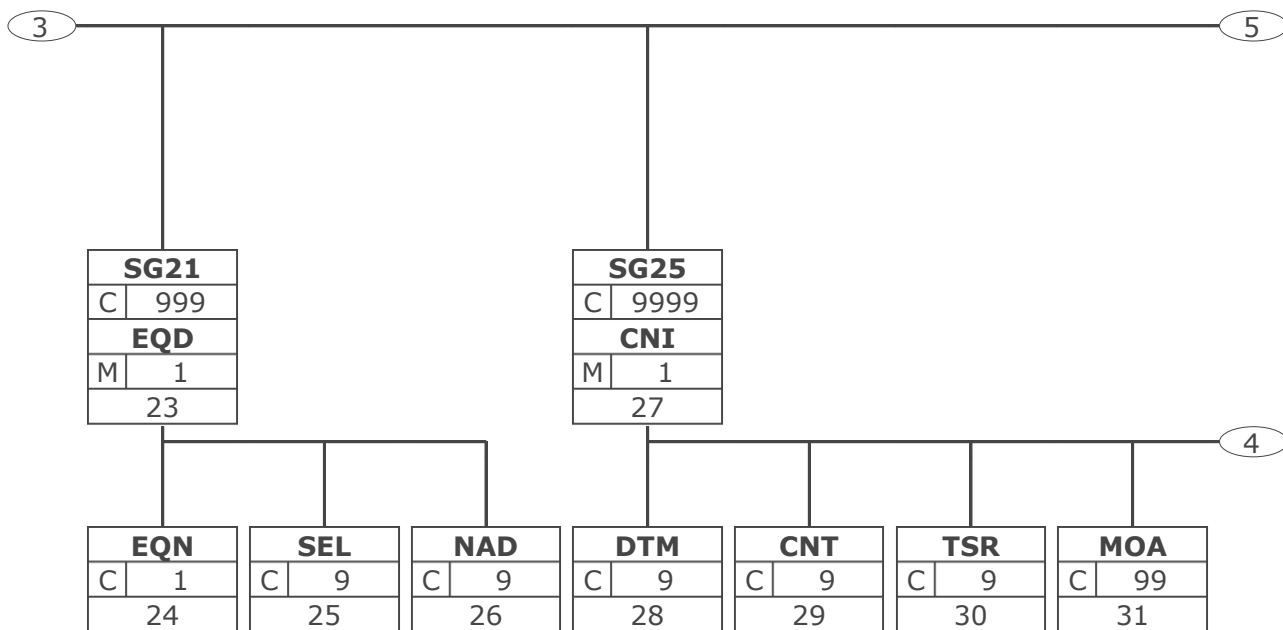
| | |
|-------------|--|
| Tag | Tag = Segment/Group Tag |
| St MaxOcc | St = Status (M=Mandatory, C=Conditional, R=Required, O=Optional, A=Advised, D=Dependent) |
| No | MaxOcc = Maximum occurrence of the segment/group; No = Consecutive segment number |

Branching Diagram



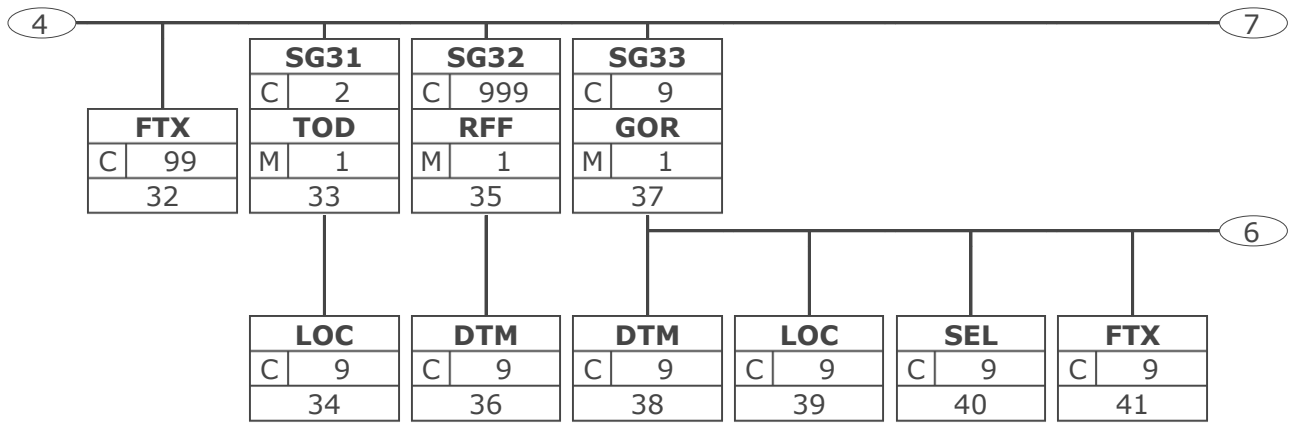
| | |
|-------------|--|
| Tag | Tag = Segment/Group Tag |
| St MaxOcc | St = Status (M=Mandatory, C=Conditional, R=Required, O=Optional, A=Advised, D=Dependent) |
| No | MaxOcc = Maximum occurrence of the segment/group; No = Consecutive segment number |

Branching Diagram



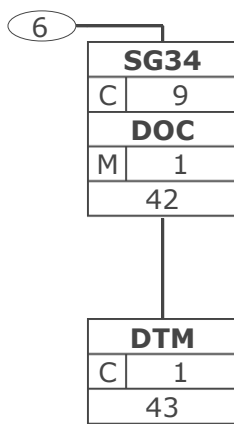
| | |
|-----|---|
| Tag | Tag = Segment/Group Tag |
| St | MaxOcc St = Status (M=Mandatory, C=Conditional, R=Required, O=Optional, A=Advised, D=Dependent) |
| No | MaxOcc = Maximum occurrence of the segment/group; No = Consecutive segment number |

Branching Diagram



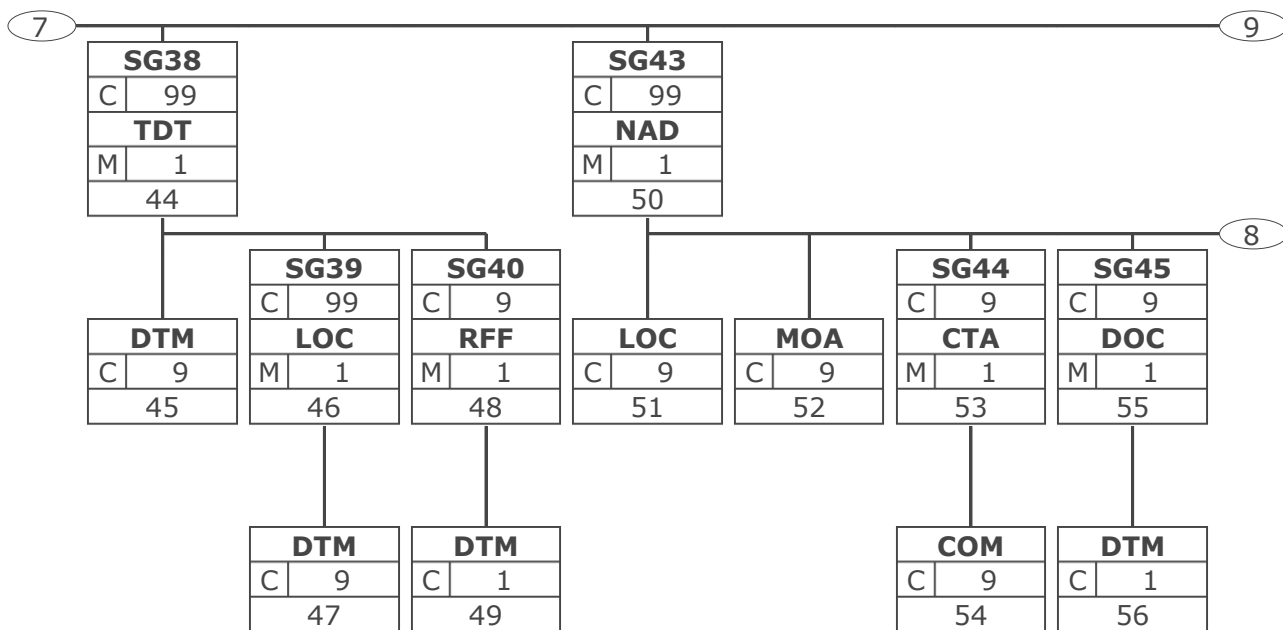
| | |
|-------------|--|
| Tag | Tag = Segment/Group Tag |
| St MaxOcc | St = Status (M=Mandatory, C=Conditional, R=Required, O=Optional, A=Advised, D=Dependent) |
| No | MaxOcc = Maximum occurrence of the segment/group; No = Consecutive segment number |

Branching Diagram



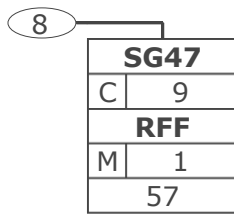
| | |
|-----|---|
| Tag | Tag = Segment/Group Tag |
| St | MaxOcc St = Status (M=Mandatory, C=Conditional, R=Required, O=Optional, A=Advised, D=Dependent) |
| No | MaxOcc = Maximum occurrence of the segment/group; No = Consecutive segment number |

Branching Diagram



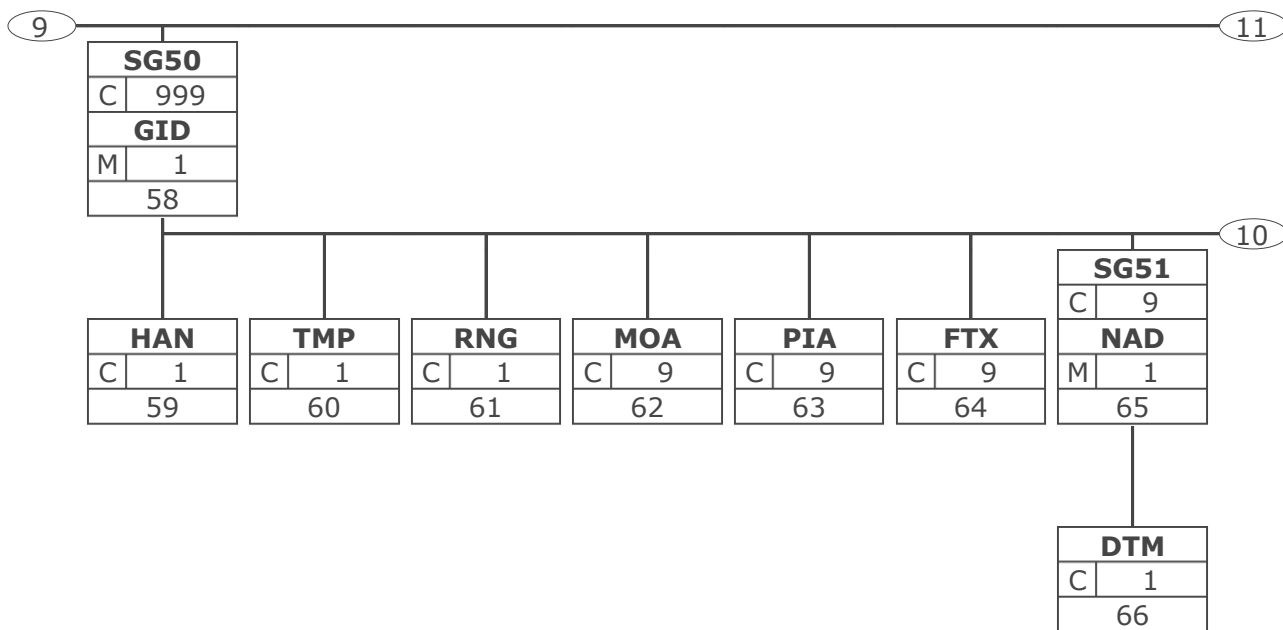
| | |
|-------------|--|
| Tag | Tag = Segment/Group Tag |
| St MaxOcc | St = Status (M=Mandatory, C=Conditional, R=Required, O=Optional, A=Advised, D=Dependent) |
| No | MaxOcc = Maximum occurrence of the segment/group; No = Consecutive segment number |

Branching Diagram



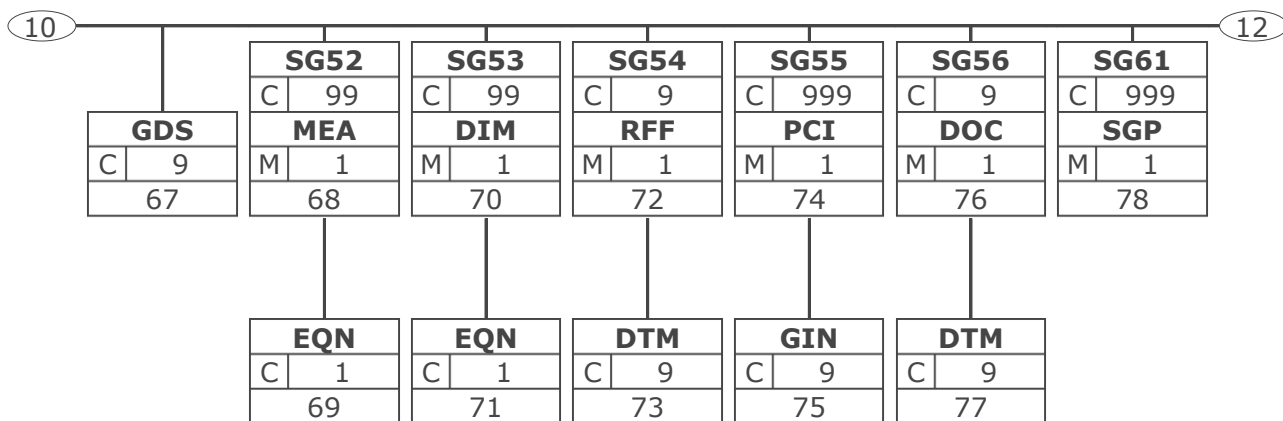
| | |
|-----|---|
| Tag | Tag = Segment/Group Tag |
| St | MaxOcc St = Status (M=Mandatory, C=Conditional, R=Required, O=Optional, A=Advised, D=Dependent) |
| No | MaxOcc = Maximum occurrence of the segment/group; No = Consecutive segment number |

Branching Diagram



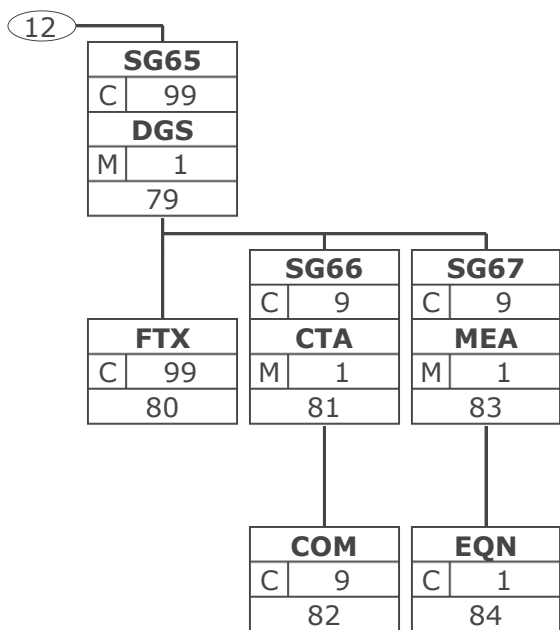
| | |
|-------------|--|
| Tag | Tag = Segment/Group Tag |
| St MaxOcc | St = Status (M=Mandatory, C=Conditional, R=Required, O=Optional, A=Advised, D=Dependent) |
| No | MaxOcc = Maximum occurrence of the segment/group; No = Consecutive segment number |

Branching Diagram



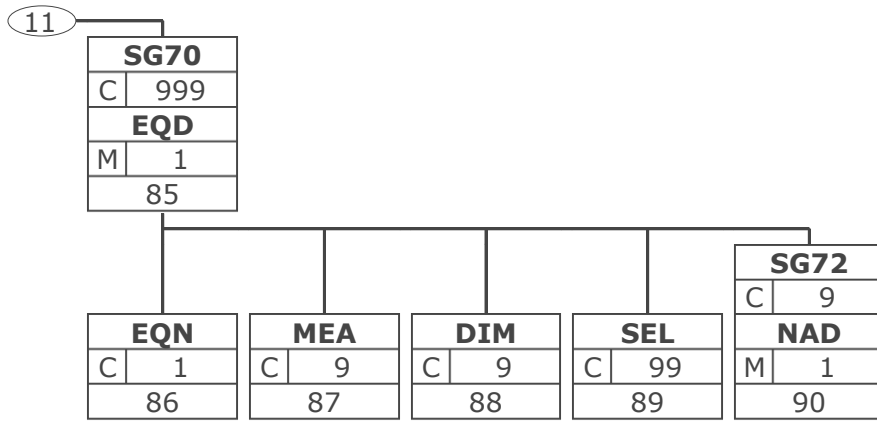
| | |
|-------------|--|
| Tag | Tag = Segment/Group Tag |
| St MaxOcc | St = Status (M=Mandatory, C=Conditional, R=Required, O=Optional, A=Advised, D=Dependent) |
| No | MaxOcc = Maximum occurrence of the segment/group; No = Consecutive segment number |

Branching Diagram



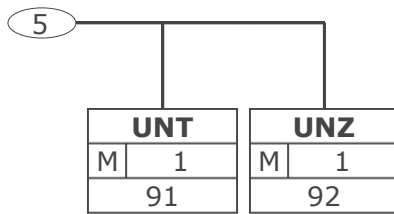
| | |
|-----|---|
| Tag | Tag = Segment/Group Tag |
| St | MaxOcc St = Status (M=Mandatory, C=Conditional, R=Required, O=Optional, A=Advised, D=Dependent) |
| No | MaxOcc = Maximum occurrence of the segment/group; No = Consecutive segment number |

Branching Diagram



| | |
|-----|---|
| Tag | Tag = Segment/Group Tag |
| St | MaxOcc St = Status (M=Mandatory, C=Conditional, R=Required, O=Optional, A=Advised, D=Dependent) |
| No | MaxOcc = Maximum occurrence of the segment/group; No = Consecutive segment number |

Branching Diagram



| | |
|-------------|--|
| Tag | Tag = Segment/Group Tag |
| St MaxOcc | St = Status (M=Mandatory, C=Conditional, R=Required, O=Optional, A=Advised, D=Dependent) |
| No | MaxOcc = Maximum occurrence of the segment/group; No = Consecutive segment number |

Message Structure

| Seg. | No. | Status | Max Occ | Segment |
|---|-----|--------|---------|--|
| UNA | 1 | C | 1 | Service string advice |
| UNB | 2 | M | 1 | Interchange header |
| Forwarding And Consolidation Summary Heading Section | | | | |
| UNH | 3 | M | 1 | Message header |
| BGM | 4 | M | 1 | Beginning of message |
| DTM | 5 | C | 9 | Date/time/period |
| FTX | 6 | C | 99 | Free text |
| CNT | 7 | C | 9 | Control total |
| SG1 | | C | 9 | RFF-DTM |
| RFF | 8 | M | 1 | Reference |
| DTM | 9 | C | 9 | Date/time/period |
| SG4 | | C | 9 | NAD |
| NAD | 10 | M | 1 | Name and address |
| SG7 | | C | 9 | TCC-CUX |
| TCC | 11 | M | 1 | Charge/rate calculations |
| CUX | 12 | C | 1 | Currencies |
| SG9 | | C | 9 | TDT-TSR-SG10-SG16 |
| TDT | 13 | M | 1 | Details of transport |
| TSR | 14 | C | 9 | Transport service requirements |
| SG10 | | C | 9 | LOC-DTM |
| LOC | 15 | M | 1 | Place/location identification |
| DTM | 16 | C | 9 | Date/time/period |
| SG16 | | C | 9 | NAD-LOC-SG17-SG18 |
| NAD | 17 | M | 1 | Name and address |
| LOC | 18 | C | 9 | Place/location identification |
| SG17 | | C | 9 | CTA-COM |
| CTA | 19 | M | 1 | Contact information |
| COM | 20 | C | 9 | Communication contact |
| SG18 | | C | 9 | DOC-DTM |
| DOC | 21 | M | 1 | Document/message details |
| DTM | 22 | C | 1 | Date/time/period |
| SG21 | | C | 999 | EQD-EQN-SEL-NAD |
| EQD | 23 | M | 1 | Equipment details |
| EQN | 24 | C | 1 | Number of units |
| SEL | 25 | C | 9 | Seal number |
| NAD | 26 | C | 9 | Name and address |
| SG25 | | C | 9999 | CNI-DTM-CNT-TSR-MOA-FTX-SG31-SG32-SG33-SG38-SG43-SG50-SG70 |
| CNI | 27 | M | 1 | Consignment information |
| DTM | 28 | C | 9 | Date/time/period |
| CNT | 29 | C | 9 | Control total |
| TSR | 30 | C | 9 | Transport service requirements |
| MOA | 31 | C | 99 | Monetary amount |
| FTX | 32 | C | 99 | Free text |
| SG31 | | C | 2 | TOD-LOC |
| TOD | 33 | M | 1 | Terms of delivery or transport |
| LOC | 34 | C | 9 | Place/location identification |
| SG32 | | C | 999 | RFF-DTM |
| RFF | 35 | M | 1 | Reference |
| DTM | 36 | C | 9 | Date/time/period |
| SG33 | | C | 9 | GOR-DTM-LOC-SEL-FTX-SG34 |

Max. Occ. = Maximum occurrence of the segment/group, Status: M=Mandatory, C=Conditional, R=Required, O=Optional, A=Advised, D=Dependent

Message Structure

| Seg. | No. | Status | Max Occ | Segment |
|------|-----|--------|---------|-------------------------------|
| GOR | 37 | M | 1 | Governmental requirements |
| DTM | 38 | C | 9 | Date/time/period |
| LOC | 39 | C | 9 | Place/location identification |
| SEL | 40 | C | 9 | Seal number |
| FTX | 41 | C | 9 | Free text |
| SG34 | | C | 9 | DOC-DTM |
| DOC | 42 | M | 1 | Document/message details |
| DTM | 43 | C | 1 | Date/time/period |
| SG38 | | C | 99 | TDT-DTM-SG39-SG40 |
| TDT | 44 | M | 1 | Details of transport |
| DTM | 45 | C | 9 | Date/time/period |
| SG39 | | C | 99 | LOC-DTM |
| LOC | 46 | M | 1 | Place/location identification |
| DTM | 47 | C | 9 | Date/time/period |
| SG40 | | C | 9 | RFF-DTM |
| RFF | 48 | M | 1 | Reference |
| DTM | 49 | C | 1 | Date/time/period |
| SG43 | | C | 99 | NAD-LOC-MOA-SG44-SG45-SG47 |
| NAD | 50 | M | 1 | Name and address |
| LOC | 51 | C | 9 | Place/location identification |
| MOA | 52 | C | 9 | Monetary amount |
| SG44 | | C | 9 | CTA-COM |
| CTA | 53 | M | 1 | Contact information |
| COM | 54 | C | 9 | Communication contact |
| SG45 | | C | 9 | DOC-DTM |
| DOC | 55 | M | 1 | Document/message details |
| DTM | 56 | C | 1 | Date/time/period |
| SG47 | | C | 9 | RFF |
| RFF | 57 | M | 1 | Reference |

Forwarding and Consolidation Detail Section

| | | | | |
|------|----|---|-----|---|
| SG50 | | C | 999 | GID-HAN-TMP-RNG-MOA-PIA-FTX-SG51-GDS-SG52-SG53-SG54-SG55-SG56-SG61-SG65 |
| GID | 58 | M | 1 | Goods item details |
| HAN | 59 | C | 1 | Handling instructions |
| TMP | 60 | C | 1 | Temperature |
| RNG | 61 | C | 1 | Range details |
| MOA | 62 | C | 9 | Monetary amount |
| PIA | 63 | C | 9 | Additional product id |
| FTX | 64 | C | 9 | Free text |
| SG51 | | C | 9 | NAD-DTM |
| NAD | 65 | M | 1 | Name and address |
| DTM | 66 | C | 1 | Date/time/period |
| GDS | 67 | C | 9 | Nature of cargo |
| SG52 | | C | 99 | MEA-EQN |
| MEA | 68 | M | 1 | Measurements |
| EQN | 69 | C | 1 | Number of units |
| SG53 | | C | 99 | DIM-EQN |
| DIM | 70 | M | 1 | Dimensions |
| EQN | 71 | C | 1 | Number of units |
| SG54 | | C | 9 | RFF-DTM |

Max. Occ. = Maximum occurrence of the segment/group, Status: M=Mandatory, C=Conditional, R=Required, O=Optional, A=Advised, D=Dependent

Message Structure

| Seg. | No. | Status | Max Occ | Segment |
|---|------------|---------------|----------------|--------------------------|
| RFF | 72 | M | 1 | Reference |
| DTM | 73 | C | 9 | Date/time/period |
| SG55 | | C | 999 | PCI-GIN |
| PCI | 74 | M | 1 | Package identification |
| GIN | 75 | C | 9 | Goods identity number |
| SG56 | | C | 9 | DOC-DTM |
| DOC | 76 | M | 1 | Document/message details |
| DTM | 77 | C | 9 | Date/time/period |
| SG61 | | C | 999 | SGP |
| SGP | 78 | M | 1 | Split goods placement |
| SG65 | | C | 99 | DGS-FTX-SG66-SG67 |
| DGS | 79 | M | 1 | Dangerous goods |
| FTX | 80 | C | 99 | Free text |
| SG66 | | C | 9 | CTA-COM |
| CTA | 81 | M | 1 | Contact information |
| COM | 82 | C | 9 | Communication contact |
| SG67 | | C | 9 | MEA-EQN |
| MEA | 83 | M | 1 | Measurements |
| EQN | 84 | C | 1 | Number of units |
| SG70 | | C | 999 | EQD-EQN-MEA-DIM-SEL-SG72 |
| EQD | 85 | M | 1 | Equipment details |
| EQN | 86 | C | 1 | Number of units |
| MEA | 87 | C | 9 | Measurements |
| DIM | 88 | C | 9 | Dimensions |
| SEL | 89 | C | 99 | Seal number |
| SG72 | | C | 9 | NAD |
| NAD | 90 | M | 1 | Name and address |
| Forwarding And Consolidation Summary Section | | | | |
| UNT | 91 | M | 1 | Message trailer |
| UNZ | 92 | M | 1 | Interchange trailer |

Max. Occ. = Maximum occurrence of the segment/group, Status: M=Mandatory, C=Conditional, R=Required, O=Optional, A=Advised, D=Dependent

Segment Layout

| No. Seg | St | Max. Occ. | | | | |
|---|------------|----------------------------------|-----------------------|----|---|--|
| 1 | UNA | C 1 | Service string advice | | | |
| The service string advice shall begin with the upper case characters UNA immediately followed by six characters in the order shown below. The space character shall not be used in positions 010, 020, 040, 050 or 060. The same character shall not be used in more than one position of the UNA. | | | | | | |
| Business Term | DE | EDIFACT | Format | St | * | Description |
| | UNA1 | Component data element separator | an1 | M | * | Used as a separator between component data elements contained within a composite data element (default value: ":") |
| | UNA2 | Data element separator | an1 | M | * | Used to separate two simple or composite data elements (default value: "+") |
| | UNA3 | Decimal mark | an1 | M | * | Used to indicate the character used for decimal notation (default value: ".") |
| | UNA4 | Release character | an1 | M | * | Used to restore any service character to its original specification (value: "?"). |
| | UNA5 | Repetition separator | an1 | M | * | Used to indicate the character used for repetition separation (value: "*"). |
| | UNA6 | Segment terminator | an1 | M | * | Used to indicate the end of segment data (default value: "'") |
| <p>This segment is used to inform the receiver of the interchange that a set of service string characters which are different to the default characters are being used.</p> <p>When using the default set of service characters, the UNA segment need not be sent. If it is sent, it must immediately precede the UNB segment and contain the four service string characters (positions UNA1, UNA2, UNA4 and UNA6) selected by the interchange sender.</p> <p>Regardless of whether or not all of the service string characters are being changed every data element within this segment must be filled, (i.e., if some default values are being used with user defined ones, both the default and user defined values must be specified).</p> <p>When expressing the service string characters in the UNA segment, it is not necessary to include any element separators.</p> <p>The use of the UNA segment is required when using a character set other than level A.</p> <p>Example: UNA:+.?*'</p> <p>Example: UNA:+.?*'</p> | | | | | | |

Max. Occ. = Maximum Occurrence, St = Status, * = Restricted Codes

Status: M=Mandatory, R=Required, O=Optional, C=Conditional, D=Dependent, A=Advised, N=Not used

Segment Layout

| No. Seg | St | Max. Occ. | | | |
|---|------------|---|--------------------|----|---|
| 2 | UNB | M 1 | Interchange header | | |
| To identify an interchange. | | | | | |
| Notes: | | | | | |
| 1. S001/0002, shall be '4' to indicate this version of the syntax. | | | | | |
| 2. The combination of the values carried in data elements S002, S003 and 0020 shall be used to identify uniquely the interchange, for the purpose of acknowledgement. | | | | | |
| Business Term | DE | EDIFACT | Format | St | * Description |
| | S001 | Syntax identifier | | M | See Part I chapter 5.2.7 and segment notes. |
| | 0001 | Syntax identifier | a4 | M | * UNOA UN/ECE level A UNOB UN/ECE level B UNOC UN/ECE level C UNOD UN/ECE level D UNOE UN/ECE level E UNOF UN/ECE level F UNOG UN/ECE level G UNOH UN/ECE level H UNOI UN/ECE level I UNOJ UN/ECE level J UNOK UN/ECE level K UNOW UN/ECE level W UNOX UN/ECE level X UNOY UN/ECE level Y |
| | 0002 | Syntax version number | an1 | M | * 4 Version 4 |
| | S002 | Interchange sender | | M | |
| | 0004 | Interchange sender identification | an..35 | M | GLN (n13) |
| | 0007 | Identification code qualifier | an..4 | R | * 14 GS1 |
| | 0008 | Interchange sender internal identification | an..35 | O | |
| | S003 | Interchange recipient | | M | |
| | 0010 | Interchange recipient identification | an..35 | M | GLN (n13) |
| | 0007 | Identification code qualifier | an..4 | R | * 14 GS1 |
| | 0014 | Interchange recipient internal identification | an..35 | O | |
| | S004 | Date and time of preparation | | M | |
| | 0017 | Date | n8 | M | CCYYMMDD |
| | 0019 | Time | n4 | M | HHMM |
| | 0020 | Interchange control reference | an..14 | M | Unique reference identifying the interchange. Created by the interchange sender. |
| | S005 | Recipient reference/ password details | | O | |

Max. Occ. = Maximum Occurrence, St = Status, * = Restricted Codes

Status: M=Mandatory, R=Required, O=Optional, C=Conditional, D=Dependent, A=Advised, N=Not used

Segment Layout

| Business Term | DE | EDIFACT | Format | St | * | Description |
|---------------|------|--|--------|----|---|--|
| | 0022 | Recipient reference/ password | an..14 | M | | |
| | 0025 | Recipient reference/ password qualifier | an2 | O | | |
| | 0026 | Application reference | an..14 | O | | Message identification if the interchange contains only one type of message. |
| | 0029 | Processing priority code | a1 | O | | A Highest priority |
| | 0031 | Acknowledgement request | n1 | O | | 1 Requested |
| | 0032 | Interchange agreement identifier | an..35 | O | * | EANCOM..... |
| | 0035 | Test indicator | n1 | O | | 1 Interchange is a test |

This segment is used to envelope the interchange, as well as to identify both, the party to whom the interchange is sent and the party who has sent the interchange. The principle of the UNB segment is the same as a physical envelope which covers one or more letters or documents, and which details, both the address where delivery is to take place and the address from where the envelope has come.

S001: The character encoding specified in basic code table of ISO/IEC 646 (7-bit coded character set for information interchange) shall be used for the interchange service string advice (if used) and up to and including the composite data element S001 'Syntax identifier' in the interchange header. The character repertoire used for the characters in an interchange shall be identified from the code value of data element 0001 in S001 'Syntax identifier' in the interchange header. The character repertoire identified does not apply to objects and/or encrypted data.

The default encoding technique for a particular repertoire shall be the encoding technique defined by its associated character set specification.

DE 0001: The recommended (default) character set for use in EANCOM® for international exchanges is character set A (UNOA). Should users wish to use character sets other than A, an agreement on which set to use should be reached on a bilateral basis before communications begin.

DE 0004, 0008, 0010 and 0014: Within EANCOM® the use of the Global Location Number (GLN) is recommended for the identification of the interchange sender and recipient.

DE 0008: Identification (e.g. a division) specified by the sender of the interchange, to be included if agreed, by the recipient in response interchanges, to facilitate internal routing.

DE 0014: The address for routing, provided beforehand by the interchange recipient, is used by the interchange sender to inform the recipient of the internal address, within the latter's systems, to which the interchange should be routed. It is recommended that the GLN be used for this purpose.

DE 0007: Identification (e.g. a division) specified by the recipient of the interchange, to be included if agreed, by the sender in response interchanges, to facilitate internal routing.

DE S004: The date and time specified in this composite should be the date and time at which the interchange sender prepared the interchange. This date and time may not necessarily be the same as the date and time of contained messages.

DE 0020: The interchange control reference number is generated by the interchange sender and is used to identify uniquely each interchange. Should the interchange sender wish to re-use interchange control reference numbers, it is recommended that each number be preserved for at least a period of three months before being re-used. In order to guarantee uniqueness, the interchange control reference number should always be linked to the interchange sender's identification (DE 0004).

DE S005: The use of passwords must first be agreed bilaterally by the parties exchanging the

Max. Occ. = Maximum Occurrence, St = Status, * = Restricted Codes

Status: M=Mandatory, R=Required, O=Optional, C=Conditional, D=Dependent, A=Advised, N=Not used

Segment Layout

interchange.

DE 0026: This data element is used to identify the application, on the interchange recipient's system, to which the interchange is directed. This data element may only be used if the interchange contains only one type of message, (e.g. only invoices). The reference used in this data element is assigned by the interchange sender.

DE 0031: This data element is used to indicate whether an acknowledgement to the interchange is required. The EANCOM® APERAK or CONTRL message should be used to provide acknowledgement of interchange receipt. In addition, the EANCOM® CONTRL message may be used to indicate when an interchange has been rejected due to syntax errors.

DE 0032: This data element is used to identify any underlying agreements which control the exchange of data. Within EANCOM®, the identity of such agreements must start with the letters 'EANCOM', the remaining characters within the data element being filled according to bilateral agreements.

Example: UNB+UNOA:4+4012345000009:14:1+4000004000002:14:4000004000099+20151013:1043+1234555
5+REF:AA++A+1+EANCOM-DISI+1'

Example: UNB+UNOC:4+5412345678908:14+8798765432106:14+20020102:1000+12345555+++++EANCOMREF
52'

Max. Occ. = Maximum Occurrence, St = Status, * = Restricted Codes

Status: M=Mandatory, R=Required, O=Optional, C=Conditional, D=Dependent, A=Advised, N=Not used

Segment Layout

| No. | Seg | St | Max. | Occ. | | |
|--|------------|------------------------------------|--------|------|--|--|
| 3 | UNH | M | 1 | | Message header To head, identify and specify a message. | |
| Notes: | | | | | | |
| 1. Data element S009/0057 is retained for upward compatibility. The use of S016 and/or S017 is encouraged in preference. | | | | | | |
| 2. The combination of the values carried in data elements 0062 and S009 shall be used to identify uniquely the message within its group (if used) or if not used, within its interchange, for the purpose of acknowledgement. | | | | | | |
| Business Term | DE | EDIFACT | Format | St | * | Description |
| | 0062 | Message reference number | an..14 | M | | Senders unique message reference. Sequence number of the messages in the interchange. DE 0062 in the UNT will be identical. Sender generated. |
| | S009 | Message identifier | | M | | |
| | 0065 | Message type | an..6 | M | * | IFCSUM |
| | 0052 | Message version number | an..3 | M | * | D Draft version/ UN/EDIFACT Directory |
| | 0054 | Message release number | an..3 | M | * | 01B Release 2001 - B |
| | 0051 | Controlling agency, coded | an..3 | M | * | UN UN/CEFACT |
| | 0057 | Association assigned code | an..6 | R | * | EAN004 GS1 version control number (GS1 Permanent Code) Indicates that the message is the EANCOM version 004 of the UNSM Forwarding and Consolidation Summary. |
| | 0110 | Code list directory version number | an..6 | O | | |
| <p>This segment is used to head, identify and specify a message.</p> <p>DE's 0065, 0052, 0054, and 0051: Indicate that the message is a UNSM Forwarding and Consolidation Summary message based on the D.01B directory under the control of the United Nations.</p> <p>Example:</p> <p>Example: UNH+X+IFCSUM:D:01B:UN:EAN004:X'</p> <p>Example: UNH+ME000001+IFCSUM:D:01B:UN:EAN004'</p> | | | | | | |

Max. Occ. = Maximum Occurrence, St = Status, * = Restricted Codes

Status: M=Mandatory, R=Required, O=Optional, C=Conditional, D=Dependent, A=Advised, N=Not used

Segment Layout

| No. Seg | St | Max. Occ. | | | | |
|--|------------|-----------------------------------|--|----|--|--|
| 4 | BGM | M 1 | Beginning of message To indicate the type and function of a message and to transmit the identifying number. | | | |
| Business Term | DE | EDIFACT | Format | St | * Description | |
| | C002 | Document/message name | | R | | |
| | 1001 | Document name code | an..3 | R | * 335 Booking request 610 Forwarding instructions 630 Shipping note 770 Booking confirmation 781 Arrival notice (goods) | |
| | 1131 | Code list identification code | an..17 | N | | |
| | 3055 | Code list responsible agency code | an..3 | N | | |
| | 1000 | Document name | an..35 | O | | |
| | C106 | Document/message identification | | R | | |
| | 1004 | Document identifier | an..35 | R | Forwarding and consolidation summary number assigned by the document sender. | |
| | 1225 | Message function code | an..3 | R | * 1 Cancellation 5 Replace 7 Duplicate 9 Original 31 Copy 42 Confirmation via specific means 46 Provisional | |
| <p>This segment is used to indicate the type and function of a message and to transmit the identifying number. All references other than the document number DE 1004 are to be put in the RFF segment. Example: Example: BGM+335:::X+X+1' Example: BGM+610+569952+9'</p> | | | | | | |

Max. Occ. = Maximum Occurrence, St = Status, * = Restricted Codes

Status: M=Mandatory, R=Required, O=Optional, C=Conditional, D=Dependent, A=Advised, N=Not used

Segment Layout

| No. | Seg | St | Max. Occ. | | | |
|--|------------|---|-----------|--|---|---|
| 5 | DTM | C | 9 | Date/time/period To specify date, and/or time, or period. | | |
| Business Term | DE | EDIFACT | Format | St | * | Description |
| | C507 | Date/time/period | | M | | |
| | 2005 | Date or time or period function code qualifier | an..3 | M | * | 10 Shipment date/ time, requested 11 Despatch date and/or time 17 Delivery date/ time, estimated 63 Delivery date/ time, latest 64 Delivery date/ time, earliest 137 Document/ message date/ time 235 Collection date/ time, latest |
| | 2380 | Date or time or period value | an..35 | R | | |
| | 2379 | Date or time or period format code | an..3 | R | | 102 CCYYMMDD |
| <p>This segment is used to specify the dates related to the Forwarding and Consolidation Summary message.</p> <p>DE 2005: Identification of the 'Document/message date/time' (code value 137) is mandatory in an EANCOM message.</p> <p>Example:</p> <p>Example: DTM+17:X:102'</p> <p>Example: DTM+137:20020112:102'</p> | | | | | | |

Max. Occ. = Maximum Occurrence, St = Status, * = Restricted Codes

Status: M=Mandatory, R=Required, O=Optional, C=Conditional, D=Dependent, A=Advised, N=Not used

Segment Layout

| No. Seg | St | Max. Occ. | | | | |
|---|------------|--------------------------------------|--|----|---|--|
| 6 | FTX | C 99 | Free text To provide free form or coded text information. | | | |
| Business Term | DE | EDIFACT | Format | St | * | Description |
| | 4451 | Text subject code qualifier | an..3 | M | | AAI General information BLR Transport document remarks |
| | 4453 | Free text function code | an..3 | O | * | 1 Text for subsequent use |
| | C107 | Text reference | | D | | |
| | 4441 | Free text value code | an..17 | M | | |
| | 1131 | Code list identification code | an..17 | O | | |
| | 3055 | Code list responsible agency code | an..3 | D | | 91 Assigned by supplier or supplier's agent 92 Assigned by buyer or buyer's agent |
| | C108 | Text literal | | D | | |
| | 4440 | Free text value | an..51 | M | | |
| | 4440 | Free text value | an..51 | O | | |
| | 4440 | Free text value | an..51 | O | | |
| | 4440 | Free text value | an..51 | O | | |
| | 4440 | Free text value | an..51 | O | | |
| | 3453 | Language name code | an..3 | D | | ISO 639 two alpha code |
| <p>This segment is used to provide free form or coded text information related to the entire message. Use of this segment in free form is not recommended since it may inhibit automatic processing of the Forwarding and Consolidated Summary. Coded references to standard texts is an available functionality which enables automatic processing and reduces transmission overheads. Standard texts should be mutually defined between trading partners and can be used to cover legal or other requirements.</p> <p>Example: (Code "002" is agreed to express = Please ensure complete delivery on requested date.)</p> <p>Example: FTX+AAI+1+1E:23:91+X:X:X:X+AA'</p> <p>Example: FTX+AAI+1+002::91'</p> | | | | | | |

Max. Occ. = Maximum Occurrence, St = Status, * = Restricted Codes

Status: M=Mandatory, R=Required, O=Optional, C=Conditional, D=Dependent, A=Advised, N=Not used

Segment Layout

| No. Seg | St | Max. Occ. | | | | |
|--|------------|--------------------------------------|---------------|----|---|--|
| 7 | CNT | C 9 | Control total | | | |
| To provide control total. | | | | | | |
| Business Term | DE | EDIFACT | Format | St | * | Description |
| | C270 | Control | | M | | |
| | 6069 | Control total type code qualifier | an..3 | M | | 7 Total gross weight 10 Total number of consignments 11 Total number of packages 15 Total consignment, cube 16 Total number of equipment When using value '15' in this data element the total specified in data element 6066 is arrived at by adding the values specified in data element 6314 of the MEA segment at goods item level when the GMC (Gross measurement cube) code is used in data element 6313 in the same MEA segment. When using code value '11' the total specified in data element 6066 is arrived at by adding the values specified only in the first occurrence of C213, data element 7224, of the GID segment. |
| | 6066 | Control total value | n..18 | M | | |
| | 6411 | Measurement unit code | an..3 | O | | |
| This segment is used to provide message control information such as the total number of consignments in the consolidation, the total gross weight of the consolidated consignments. Example: Example: CNT+7:9:H87' Example: CNT+11:566' | | | | | | |

Max. Occ. = Maximum Occurrence, St = Status, * = Restricted Codes
 Status: M=Mandatory, R=Required, O=Optional, C=Conditional, D=Dependent, A=Advised, N=Not used

Segment Layout

| No. Seg | St | Max. Occ. | | | | |
|--|------|--------------------------|-----------|----|---|---|
| SG1 | C | 9 | RFF-DTM | | | |
| A group of segments containing references and constants which apply to the entire message. | | | | | | |
| 8 | | | | | | |
| RFF | M | 1 | Reference | | | |
| To specify a reference. | | | | | | |
| Business Term | DE | EDIFACT | Format | St | * | Description |
| | C506 | Reference | | M | | |
| | 1153 | Reference code qualifier | an..3 | M | * | ACD Additional reference number ADE Account number AUB Party reference AXE Firm booking reference number CT Contract number CU Consignor's reference number PK Packing list number SRN Shipment reference number TIN Transport instruction number |
| | 1154 | Reference identifier | an..70 | R | | |
| This segment is used to specify references which are related to the complete message. Example: Example: RFF+ACD:X' Example: RFF+TRI:6214' | | | | | | |

Max. Occ. = Maximum Occurrence, St = Status, * = Restricted Codes
 Status: M=Mandatory, R=Required, O=Optional, C=Conditional, D=Dependent, A=Advised, N=Not used

Segment Layout

| No. Seg | St | Max. Occ. | | | | |
|--|------|--|------------|----|---|-------------------------|
| SG1 | C | 9 | RFF-DTM | | | |
| A group of segments containing references and constants which apply to the entire message. | | | | | | |
| 9 | | | DTM | C | 9 | Date/time/period |
| To specify date, and/or time, or period. | | | | | | |
| Business Term | DE | EDIFACT | Format | St | * | Description |
| | C507 | Date/time/period | | M | | |
| | 2005 | Date or time or period function code qualifier | an..3 | M | * | 171 Reference date/time |
| | 2380 | Date or time or period value | an..35 | R | | |
| | 2379 | Date or time or period format code | an..3 | R | | 102 CCYYMMDD |
| <p>This segment is used to specify the date of the reference specified in the previous RFF segment. Example:</p> <p>Example: DTM+171:X:102' Example: DTM+171:20020105:102'</p> | | | | | | |

Max. Occ. = Maximum Occurrence, St = Status, * = Restricted Codes
 Status: M=Mandatory, R=Required, O=Optional, C=Conditional, D=Dependent, A=Advised, N=Not used

Segment Layout

| No. Seg | St | Max. Occ. | | | | |
|--|------------|---|------------------|----|---|---|
| 10 | SG4 | C 9 | NAD | | | |
| | NAD | M 1 | Name and address | | | |
| To specify the name/address and their related function, either by C082 only and/or unstructured by C058 or structured by C080 thru 3207. | | | | | | |
| Business Term | DE | EDIFACT | Format | St | * | Description |
| | 3035 | Party function code qualifier | an..3 | M | * | BY Buyer CA Carrier DGC Logistic service provider DP Delivery party OB Ordered by SU Supplier WH Warehouse keeper |
| | C082 | Party identification details | | A | | |
| | 3039 | Party identifier | an..35 | M | | |
| | 1131 | Code list identification code | an..17 | N | | |
| | 3055 | Code list responsible agency code | an..3 | R | * | 9 GS1 |
| | C058 | Name and address | | O | | This composite may only be used to fulfill the requirements of directive 2003/58/EC, article 4. |
| | 3124 | Name and address description | an..35 | M | | |
| | 3124 | Name and address description | an..35 | O | | |
| | 3124 | Name and address description | an..35 | O | | |
| | 3124 | Name and address description | an..35 | O | | |
| | 3124 | Name and address description | an..35 | O | | |
| | C080 | Party name | | D | | |
| | 3036 | Party name | an..35 | M | | Party Name in clear text. |
| | 3036 | Party name | an..35 | O | | |
| | 3036 | Party name | an..35 | O | | |
| | 3036 | Party name | an..35 | O | | |
| | 3036 | Party name | an..35 | O | | |
| | 3045 | Party name format code | an..3 | O | | |
| | C059 | Street | | D | | |
| | 3042 | Street and number or post office box identifier | an..35 | M | | Building Name/Number and Street Name |
| | 3042 | Street and number or post office box | an..35 | O | | |

Max. Occ. = Maximum Occurrence, St = Status, * = Restricted Codes

Status: M=Mandatory, R=Required, O=Optional, C=Conditional, D=Dependent, A=Advised, N=Not used

Segment Layout

| Business Term | DE | EDIFACT | Format | St | * | Description |
|---------------|------|---|--------|----|---|----------------------------|
| | | identifier | | | | |
| | 3042 | Street and number or post office box identifier | an..35 | O | | |
| | 3042 | Street and number or post office box identifier | an..35 | O | | |
| | 3164 | City name | an..35 | D | | City/Town name, clear text |
| | C819 | Country sub-entity details | | D | | |
| | 3229 | Country sub-entity name code | an..9 | O | | |
| | 1131 | Code list identification code | an..17 | O | | |
| | 3055 | Code list responsible agency code | an..3 | O | | |
| | 3228 | Country sub-entity name | an..70 | O | | County/State, clear text. |
| | 3251 | Postal identification code | an..17 | D | | Postal Code |
| | 3207 | Country name code | an..3 | D | | ISO 3166 two alpha code |

This NAD segment can be used to identify parties independently of the details of transport in SG9.
Dependency Notes:

The following composites and data elements are only used when a coded name and address can not be used. The affected composites and data elements are as follows:

C080 - C059 - 3164 - C819 - 3251 - 3207

Example:

Example: NAD+BY+541234500013::9+X:::::X+P1:P2:P3:P4:P5:1+S1:S1:S1:X+DUB+IRL:23:2:X+4+IE'

Example: NAD+DGC+5411234512309::9'

Max. Occ. = Maximum Occurrence, St = Status, * = Restricted Codes

Status: M=Mandatory, R=Required, O=Optional, C=Conditional, D=Dependent, A=Advised, N=Not used

Segment Layout

| No. Seg | St | Max. Occ. | | | | |
|--|------------|--|--------------------------|----|---|--|
| 11 | SG7 | C 9 | TCC-CUX | | | |
| | TCC | M 1 | Charge/rate calculations | | | |
| To specify charges. | | | | | | |
| Business Term | DE | EDIFACT | Format | St | * | Description |
| | C200 | Charge | | R | | |
| | 8023 | Freight and other charges description identifier | an..17 | R | | Freight and other charges description identifier UN/ECE Recommendation 23 code list, e.g. 101021 |
| | 1131 | Code list identification code | an..17 | O | | |
| | 3055 | Code list responsible agency code | an..3 | D | | 6 UN/ECE (United Nations - Economic Commission for Europe) 9 GS1 |
| | 8022 | Freight and other charges description | an..26 | O | | |
| | 4237 | Payment arrangement code | an..3 | O | | |
| | 7140 | Item identifier | an..35 | O | | |
| | C203 | Rate/tariff class | | O | | |
| | 5243 | Rate or tariff class description code | an..9 | M | | |
| | 1131 | Code list identification code | an..17 | O | | |
| | 3055 | Code list responsible agency code | an..3 | O | | |
| | 5242 | Rate or tariff class description | an..35 | O | | |
| | 5275 | Supplementary rate or tariff code | an..6 | O | | |
| | 1131 | Code list identification code | an..17 | O | | |
| | 3055 | Code list responsible agency code | an..3 | O | | |
| | 5275 | Supplementary rate or tariff code | an..6 | O | | |
| | 1131 | Code list identification code | an..17 | O | | |
| | 3055 | Code list responsible agency code | an..3 | O | | |
| <p>This segment enables the transmission of the freight rate. Example: Example: TCC+101021:::6:X::X+FR:23:X6:::23:9::23:9' Example: TCC+101021:::6+FR:::X6'</p> | | | | | | |

Max. Occ. = Maximum Occurrence, St = Status, * = Restricted Codes

Status: M=Mandatory, R=Required, O=Optional, C=Conditional, D=Dependent, A=Advised, N=Not used

Segment Layout

| No. | Seg | St | Max. Occ. | | | |
|---|------------|-------------------------------|-----------|------------|---|--|
| 12 | SG7 | C | 9 | TCC-CUX | | |
| | CUX | C | 1 | Currencies | | |
| To specify currencies used in the transaction and relevant details for the rate of exchange. | | | | | | |
| Business Term | DE | EDIFACT | Format | St | * | Description |
| | C504 | Currency details | | R | | |
| | 6347 | Currency usage code qualifier | an..3 | M | * | 2 Reference currency |
| | 6345 | Currency identification code | an..3 | R | | ISO 4217 three alpha |
| | 6343 | Currency type code qualifier | an..3 | C | * | 4 Invoicing currency 10 Pricing currency |
| | C504 | Currency details | | D | | The second occurrence of C504 is only used if a target currency is being specified. |
| | 6347 | Currency usage code qualifier | an..3 | M | * | 3 Target currency |
| | 6345 | Currency identification code | an..3 | R | | ISO 4217 three alpha |
| | 6343 | Currency type code qualifier | an..3 | C | * | 4 Invoicing currency 10 Pricing currency |
| | 6348 | Currency rate value | n..4 | O | | |
| | 5402 | Currency exchange rate | n..12 | D | | The rate of exchange which applies to the currencies. The rate of exchange is only used if a target currency has been identified in the second occurrence of C504. |
| <p>This segment is used to specify currency information for the freight calculation.</p> <p>The CUX Segment is mandatory for international exchanges.</p> <p>When specifying Reference and Target Currencies for international trade, one occurrence of CUX is all that is required. The reference currency is identified in the first occurrence of composite C504, with the target currency specified in the second occurrence of C504. The rate of exchange between the two is detailed in DE 5402.</p> <p>The general rule for calculating the rate of exchange is as follows : Reference Currency multiplied by Rate = Target Currency.</p> <p>Example:</p> <p>Example: CUX+2:EUR:10+3:EUR:10:9+9'</p> <p>Example: CUX+2:EUR:10+3:USD:4+0.90243'</p> | | | | | | |

Max. Occ. = Maximum Occurrence, St = Status, * = Restricted Codes

Status: M=Mandatory, R=Required, O=Optional, C=Conditional, D=Dependent, A=Advised, N=Not used

Segment Layout

| No. Seg | St | Max. Occ. | | | | |
|---|--|--|----------------------|----|---|--|
| 13 | SG9 | C 9 | TDT-TSR-SG10-SG16 | | | |
| | A group of segments to describe all transport details of the voyage/flight or consolidation and of all parties involved. | | | | | |
| | TDT | M 1 | Details of transport | | | |
| To specify the transport details such as mode of transport, means of transport, its conveyance reference number and the identification of the means of transport. | | | | | | |
| The segment may be pointed to by the TPL segment. | | | | | | |
| Business Term | DE | EDIFACT | Format | St | * | Description |
| | 8051 | Transport stage code qualifier | an..3 | M | * | 20 Main-carriage transport |
| | 8028 | Means of transport journey identifier | an..17 | O | | Reference number covering the transport. |
| | C220 | Mode of transport | | A | | |
| | 8067 | Transport mode name code | an..3 | R | | |
| | C228 | Transport means | | O | | DE 8179 and DE 8178 are only used when the type of transport must be specifically identified, that is, a generic description such as road transport is unsuitable. |
| | 8179 | Transport means description code | an..8 | D | | 23 Rail bulk car 31 Truck |
| | 8178 | Transport means description | an..17 | D | | |
| | C040 | Carrier | | O | | |
| | 3127 | Carrier identifier | an..17 | A | | Global Location Number GLN - Format n13 |
| | 1131 | Code list identification code | an..17 | O | | |
| | 3055 | Code list responsible agency code | an..3 | D | | 9 GS1 |
| | 3128 | Carrier name | an..35 | O | | |
| | 8101 | Transit direction indicator code | an..3 | N | | |
| | C401 | Excess transportation information | | N | | |
| | 8457 | Excess transportation reason code | an..3 | | | |
| | C222 | Transport identification | | O | | |
| | 8213 | Transport means identification name identifier | an..9 | O | | |
| | 1131 | Code list identification code | an..17 | O | | |
| | 3055 | Code list responsible agency code | an..3 | D | | DE 3055 must be used if DE 8213 is used. |
| | | Transport means | | | | |

Max. Occ. = Maximum Occurrence, St = Status, * = Restricted Codes

Status: M=Mandatory, R=Required, O=Optional, C=Conditional, D=Dependent, A=Advised, N=Not used

Segment Layout

| Business Term | DE | EDIFACT | Format | St | * | Description |
|---------------|------|----------------------------------|--------|----|---|--|
| | 8212 | identification name | an..35 | R | | Vehicle license plate/Aircraft number. |
| | 8453 | Transport means nationality code | an..3 | O | | ISO 3166 two alpha code |

This segment is used to specify transport services required to transport the complete consolidated consignment. The message should be used to provide only one transport stage and therefore this segment group is only repeated once per message.

Example:

Example: TDT+20+X+100+23:X+X:23:9:X+++X:23:9:1:AD'

Example: TDT+20++30+31'

Max. Occ. = Maximum Occurrence, St = Status, * = Restricted Codes

Status: M=Mandatory, R=Required, O=Optional, C=Conditional, D=Dependent, A=Advised, N=Not used

Segment Layout

| No. Seg | St | Max. Occ. | | | | |
|---|--|--------------------------------------|--------------------------------|----|---|---|
| 14 | SG9 | C 9 | TDT-TSR-SG10-SG16 | | | |
| | A group of segments to describe all transport details of the voyage/flight or consolidation and of all parties involved. | | | | | |
| | TSR | C 9 | Transport service requirements | | | |
| To specify the contract and carriage conditions and service and priority requirements for the transport. | | | | | | |
| Business Term | DE | EDIFACT | Format | St | * | Description |
| | C536 | Contract and carriage condition | | O | | |
| | 4065 | Contract and carriage condition code | an..3 | M | | 2 Special agreement for parcels transport 3 Special agreement for full loading transport 5 FIATA combined transport bill of lading 11 CMR carnet |
| | 1131 | Code list identification code | an..17 | O | | |
| | 3055 | Code list responsible agency code | an..3 | D | | |
| | C233 | Service | | O | | |
| | 7273 | Service requirement code | an..3 | M | | 1 Carrier loads 4 Shipper loads |
| | 1131 | Code list identification code | an..17 | O | | |
| | 3055 | Code list responsible agency code | an..3 | D | | |
| | 7273 | Service requirement code | an..3 | O | | |
| | 1131 | Code list identification code | an..17 | O | | |
| | 3055 | Code list responsible agency code | an..3 | D | | |
| | C537 | Transport priority | | O | | |
| | 4219 | Transport service priority code | an..3 | M | | 1 Express 2 High speed 3 Normal speed |
| | 1131 | Code list identification code | an..17 | O | | |
| | 3055 | Code list responsible agency code | an..3 | D | | |
| <p>This segment is used to indicate any special contracts, services or priorities in relation to the transport of the consolidated consignment.</p> <p>Example:</p> <p>Example: TSR+2:23:2+1:23:2:1:23:2+1:23:2'</p> <p>Example: TSR+3+1'</p> | | | | | | |

Max. Occ. = Maximum Occurrence, St = Status, * = Restricted Codes

Status: M=Mandatory, R=Required, O=Optional, C=Conditional, D=Dependent, A=Advised, N=Not used

Segment Layout

| No. Seg | St | Max. Occ. | | | | |
|--|------------|-------------------------------------|-------------------|-------------------------------|---|---|
| SG9 | C | 9 | TDT-TSR-SG10-SG16 | | | |
| A group of segments to describe all transport details of the voyage/flight or consolidation and of all parties involved. | | | | | | |
| SG10 | C | 9 | LOC-DTM | | | |
| A group of segments identifying the relevant locations aswell as date(s) and time(s) related to the transport stage. | | | | | | |
| 15 | LOC | M | 1 | Place/location identification | | |
| To identify a place or a location and/or related locations. | | | | | | |
| Business Term | DE | EDIFACT | Format | St | * | Description |
| | 3227 | Location function code qualifier | an..3 | M | | 9 Place/port of loading 11 Place/port of discharge 13 Place of transhipment 17 Border crossing place |
| | C517 | Location identification | | A | | |
| | 3225 | Location name code | an..25 | A | | GLN - Format n13 |
| | 1131 | Code list identification code | an..17 | O | | |
| | 3055 | Code list responsible agency code | an..3 | D | | 9 GS1 DE 3055 must be used if DE 3225 is used and does not contain an UN/LOCODE. |
| | 3224 | Location name | an..25 | O | | |
| <p>This segment is used to identify locations related to the transport details for the consolidated consignment.</p> <p>Example:</p> <p>Example: LOC+9+X:23:9:X'</p> <p>Example: LOC+9+5412345678908::9'</p> | | | | | | |

Max. Occ. = Maximum Occurrence, St = Status, * = Restricted Codes
 Status: M=Mandatory, R=Required, O=Optional, C=Conditional, D=Dependent, A=Advised, N=Not used

Segment Layout

| No. Seg | St | Max. Occ. | | | | |
|--|------------|--|-------------------|------------------|---|--|
| SG9 | C | 9 | TDT-TSR-SG10-SG16 | | | |
| A group of segments to describe all transport details of the voyage/flight or consolidation and of all parties involved. | | | | | | |
| SG10 | C | 9 | LOC-DTM | | | |
| A group of segments identifying the relevant locations aswell as date(s) and time(s) related to the transport stage. | | | | | | |
| 16 | DTM | C | 9 | Date/time/period | | |
| To specify date, and/or time, or period. | | | | | | |
| Business Term | DE | EDIFACT | Format | St | * | Description |
| | C507 | Date/time/period | | M | | |
| | 2005 | Date or time or period function code qualifier | an..3 | M | * | 63 Delivery date/time, latest 64 Delivery date/time, earliest 132 Arrival date/time, estimated 232 Arrival date/time, scheduled 186 Departure date/time, actual 189 Departure date/time, scheduled 231 Arrival date/time, earliest 255 Availability due date 362 End availability date |
| | 2380 | Date or time or period value | an..35 | R | | |
| | 2379 | Date or time or period format code | an..3 | R | | 102 CCYYMMDD 203 CCYYMMDDHHMM |
| This segment is used to specify dates relating to the transport details for the consolidated consignment. Example: Example: DTM+189:X:102' Example: DTM+189:200201151000:203' | | | | | | |

Max. Occ. = Maximum Occurrence, St = Status, * = Restricted Codes
 Status: M=Mandatory, R=Required, O=Optional, C=Conditional, D=Dependent, A=Advised, N=Not used

Segment Layout

| No. Seg | St | Max. Occ. | | | | |
|--|------------|-----------------------------------|-------------------|------------------|---------------|--|
| SG9 | C | 9 | TDT-TSR-SG10-SG16 | | | |
| A group of segments to describe all transport details of the voyage/flight or consolidation and of all parties involved. | | | | | | |
| SG16 | C | 9 | NAD-LOC-SG17-SG18 | | | |
| A group of segments to specify the parties related to the specified transport stage. | | | | | | |
| 17 | NAD | M | 1 | Name and address | | |
| To specify the name/address and their related function, either by C082 only and/or unstructured by C058 or structured by C080 thru 3207. | | | | | | |
| Business Term | DE | EDIFACT | Format | St | * Description | |
| | 3035 | Party function code qualifier | an..3 | M | * | CA Carrier CZ Consignor DEQ Shipper FW Freight forwarder PW Despatch party SF Ship from |
| | C082 | Party identification details | | A | | |
| | 3039 | Party identifier | an..35 | M | | |
| | 1131 | Code list identification code | an..17 | N | | |
| | 3055 | Code list responsible agency code | an..3 | R | * | 9 GS1 |
| | C058 | Name and address | | O | | This composite may only be used to fulfill the requirements of directive 2003/58/EC, article 4. |
| | 3124 | Name and address description | an..35 | M | | |
| | 3124 | Name and address description | an..35 | O | | |
| | 3124 | Name and address description | an..35 | O | | |
| | 3124 | Name and address description | an..35 | O | | |
| | 3124 | Name and address description | an..35 | O | | |
| | C080 | Party name | | D | | |
| | 3036 | Party name | an..35 | M | | Party Name in clear text. |
| | 3036 | Party name | an..35 | O | | |
| | 3036 | Party name | an..35 | O | | |
| | 3036 | Party name | an..35 | O | | |
| | 3036 | Party name | an..35 | O | | |
| | 3045 | Party name format code | an..3 | O | | |
| | C059 | Street | | D | | |
| | | Street and number or | | | | Building Name/Number and |

Max. Occ. = Maximum Occurrence, St = Status, * = Restricted Codes

Status: M=Mandatory, R=Required, O=Optional, C=Conditional, D=Dependent, A=Advised, N=Not used

Segment Layout

| Business Term | DE | EDIFACT | Format | St | * | Description |
|---------------|------|---|--------|----|---|---------------------------|
| | 3042 | post office box identifier | an..35 | M | | Street |
| | 3042 | Street and number or post office box identifier | an..35 | O | | Name and/or P.O. Box |
| | 3042 | Street and number or post office box identifier | an..35 | O | | |
| | 3042 | Street and number or post office box identifier | an..35 | O | | |
| | 3164 | City name | an..35 | D | | City/Town, clear text. |
| | C819 | Country sub-entity details | | D | | |
| | 3229 | Country sub-entity name code | an..9 | O | | |
| | 1131 | Code list identification code | an..17 | O | | |
| | 3055 | Code list responsible agency code | an..3 | O | | |
| | 3228 | Country sub-entity name | an..70 | O | | County/State, clear text. |
| | 3251 | Postal identification code | an..17 | D | | Postal Code |
| | 3207 | Country name code | an..3 | D | | ISO 3166 two alpha code |

This segment is used to identify the parties involved in the Forwarding and Consolidation Summary message. Identification of the Consignor and Carrier or Freight Forwarder is mandatory in the Forwarding and Consolidation Summary message.

Example:

Dependency Notes:

The following composites and data elements are only used when a coded name and address can not be used. The affected composites and data elements are as follows:

C080 - C059 - 3164 - C819 - 3251 - 3207

Example: NAD+CA+X::9+X:::X+X:X:X:X:X:1+X:X:X+X+X:23:2:X+X+AD'

Example: NAD+CZ+5411234512309::9'

Example: NAD+CA+5412345123458::9'

Max. Occ. = Maximum Occurrence, St = Status, * = Restricted Codes

Status: M=Mandatory, R=Required, O=Optional, C=Conditional, D=Dependent, A=Advised, N=Not used

Segment Layout

| No. Seg | St | Max. Occ. | | | | |
|--|------------|--------------------------------------|-------------------|-------------------------------|---|---|
| SG9 | C | 9 | TDT-TSR-SG10-SG16 | | | |
| A group of segments to describe all transport details of the voyage/flight or consolidation and of all parties involved. | | | | | | |
| SG16 | C | 9 | NAD-LOC-SG17-SG18 | | | |
| A group of segments to specify the parties related to the specified transport stage. | | | | | | |
| 18 | LOC | C | 9 | Place/location identification | | |
| To identify a place or a location and/or related locations. | | | | | | |
| Business Term | DE | EDIFACT | Format | St | * | Description |
| | 3227 | Location function code qualifier | an..3 | M | | 5 Place of departure 13 Place of transshipment |
| | C517 | Location identification | | A | | |
| | 3225 | Location name code | an..25 | A | | GLN - Format n13 |
| | 1131 | Code list identification code | an..17 | O | | |
| | 3055 | Code list responsible agency code | an..3 | D | | 9 GS1 DE 3055 must be used if DE 3225 is used and does not contain an UN/LOCODE. |
| | 3224 | Location name | an..25 | O | | |
| <p>This segment is used to identify locations related to the party identified in the NAD segment. Example:</p> <p>Example: LOC+5+X:23:9:X'</p> <p>Example: LOC+5+5412345678908::9'</p> | | | | | | |

Max. Occ. = Maximum Occurrence, St = Status, * = Restricted Codes
 Status: M=Mandatory, R=Required, O=Optional, C=Conditional, D=Dependent, A=Advised, N=Not used

Segment Layout

| No. Seg | St | Max. Occ. | | | | |
|--|------------|----------------------------------|-------------------|---------------------|---|------------------------|
| SG9 | C | 9 | TDT-TSR-SG10-SG16 | | | |
| A group of segments to describe all transport details of the voyage/flight or consolidation and of all parties involved. | | | | | | |
| SG16 | C | 9 | NAD-LOC-SG17-SG18 | | | |
| A group of segments to specify the parties related to the specified transport stage. | | | | | | |
| SG17 | C | 9 | CTA-COM | | | |
| A group of segments to indicate contacts related to the party. | | | | | | |
| 19 | CTA | M | 1 | Contact information | | |
| To identify a person or a department to whom communication should be directed. | | | | | | |
| Business Term | DE | EDIFACT | Format | St | * | Description |
| | 3139 | Contact function code | an..3 | R | | IC Information contact |
| | C056 | Department or employee details | | O | | |
| | 3413 | Department or employee name code | an..17 | O | | |
| | 3412 | Department or employee name | an..35 | O | | |
| This segment is used to identify department and contact names within the party specified in the NAD segment. Example: Example: CTA+IC+X:X' Example: CTA+IC+:G REID' | | | | | | |

Max. Occ. = Maximum Occurrence, St = Status, * = Restricted Codes
Status: M=Mandatory, R=Required, O=Optional, C=Conditional, D=Dependent, A=Advised, N=Not used

Segment Layout

| No. Seg | St | Max. Occ. | | | | |
|---|------------|--------------------------------------|-------------------|-----------------------|---|--|
| SG9 | C | 9 | TDT-TSR-SG10-SG16 | | | |
| A group of segments to describe all transport details of the voyage/flight or consolidation and of all parties involved. | | | | | | |
| SG16 | C | 9 | NAD-LOC-SG17-SG18 | | | |
| A group of segments to specify the parties related to the specified transport stage. | | | | | | |
| SG17 | C | 9 | CTA-COM | | | |
| A group of segments to indicate contacts related to the party. | | | | | | |
| 20 | COM | C | 9 | Communication contact | | |
| To identify a communication number of a department or a person to whom communication should be directed. | | | | | | |
| Business Term | DE | EDIFACT | Format | St | * | Description |
| | C076 | Communication contact | | M | | |
| | 3148 | Communication address identifier | an..51 | M | | |
| | 3155 | Communication address code qualifier | an..3 | M | | AO Uniform Resource Location (URL) EM Electronic mail TE Telephone |
| This segment identifies the communications number and type of communications for the person or department identified in the previous CTA segment. Example: Example: COM+X:EM' Example: COM+0033148759632:FX' | | | | | | |

Max. Occ. = Maximum Occurrence, St = Status, * = Restricted Codes
 Status: M=Mandatory, R=Required, O=Optional, C=Conditional, D=Dependent, A=Advised, N=Not used

Segment Layout

| No. Seg | St | Max. Occ. | | | | |
|---|------------|--------------------------------------|-------------------|--------------------------|---|---|
| SG9 | C | 9 | TDT-TSR-SG10-SG16 | | | |
| A group of segments to describe all transport details of the voyage/flight or consolidation and of all parties involved. | | | | | | |
| SG16 | C | 9 | NAD-LOC-SG17-SG18 | | | |
| A group of segments to specify the parties related to the specified transport stage. | | | | | | |
| SG18 | C | 9 | DOC-DTM | | | |
| A group of segments to specify a document related to the party. | | | | | | |
| 21 | DOC | M | 1 | Document/message details | | |
| To identify documents and details directly related to it. | | | | | | |
| Business Term | DE | EDIFACT | Format | St | * | Description |
| | C002 | Document/message name | | M | | |
| | 1001 | Document name code | an..3 | R | | 811 Export licence 911 Import licence |
| | 1131 | Code list identification code | an..17 | O | | |
| | 3055 | Code list responsible agency code | an..3 | D | | |
| | C503 | Document/message details | | O | | |
| | 1004 | Document identifier | an..35 | R | | |
| | 1373 | Document status code | an..3 | O | | 9 To be printed 2 Accompanying goods 17 Document with the goods |
| | 1366 | Document source description | an..70 | O | | |
| | 3453 | Language name code | an..3 | O | | ISO 639 two alpha |
| | 3153 | Communication medium type code | an..3 | N | | |
| | 1220 | Document copies required quantity | n..2 | O | | |
| | 1218 | Document originals required quantity | n..2 | O | | |
| <p>This segment is used to identify any documentation which must accompany the consolidated consignment.</p> <p>Example:</p> <p>Example: DOC+811:23:2+X:9:X:AA++9+9'</p> <p>Example: DOC+811+1253D'</p> | | | | | | |

Max. Occ. = Maximum Occurrence, St = Status, * = Restricted Codes

Status: M=Mandatory, R=Required, O=Optional, C=Conditional, D=Dependent, A=Advised, N=Not used

Segment Layout

| No. | Seg | St | Max. Occ. | | | |
|--|--|--|-----------|-------------------|---|--|
| | SG9 | C | 9 | TDT-TSR-SG10-SG16 | | |
| | A group of segments to describe all transport details of the voyage/flight or consolidation and of all parties involved. | | | | | |
| | SG16 | C | 9 | NAD-LOC-SG17-SG18 | | |
| | A group of segments to specify the parties related to the specified transport stage. | | | | | |
| | SG18 | C | 9 | DOC-DTM | | |
| | A group of segments to specify a document related to the party. | | | | | |
| 22 | DTM | C | 1 | Date/time/period | | |
| | To specify date, and/or time, or period. | | | | | |
| Business Term | DE | EDIFACT | Format | St | * | Description |
| | C507 | Date/time/period | | M | | |
| | 2005 | Date or time or period function code qualifier | an..3 | M | * | 7 Effective date/ time 36 Expiry date 137 Document/ message date/ time 273 Validity period |
| | 2380 | Date or time or period value | an..35 | R | | |
| | 2379 | Date or time or period format code | an..3 | R | | 102 CCYYMMDD 203 CCYYMMDDHHMM 718 CCYYMMDD- CCYYMMDD |
| This segment is used to specify any dates related to the previous DOC segment. | | | | | | |
| Example: | | | | | | |
| Example: DTM+7:X:102' | | | | | | |
| Example: DTM+137:20020115:102' | | | | | | |

Max. Occ. = Maximum Occurrence, St = Status, * = Restricted Codes
 Status: M=Mandatory, R=Required, O=Optional, C=Conditional, D=Dependent, A=Advised, N=Not used

Segment Layout

| No. Seg | St | Max. Occ. | | | | |
|---|------------|--|-----------------|-------------------|---|---|
| SG21 | C | 999 | EQD-EQN-SEL-NAD | | | |
| <p>A group of segments to specify equipment in which consignments are transported (e.g. trailer, railway wagon, ULD, etc.). This segment group WILL NOT be used in the deep sea context. This is because EQD in this context is used to define an extended transport such as a trailer attached to a truck, containers attached to a trailer etc. Containers in the deep sea context ARE NOT part of an extended definition of transport but are considered as integral with the consignment and are thus described at the consignment level.</p> | | | | | | |
| 23 | EQD | M | 1 | Equipment details | | |
| To identify a unit of equipment. | | | | | | |
| Business Term | DE | EDIFACT | Format | St | * | Description |
| | 8053 | Equipment type code qualifier | an..3 | M | | BPN Box pallet non exchangeable CN Container EFP Exchangeable EUR flat pallet PA Pallet UL ULD (Unit load device) BPZ Roll Pallet 1 DPB Roll Pallet 2 |
| | C237 | Equipment identification | | R | | |
| | 8260 | Equipment identifier | an..17 | O | | |
| | 1131 | Code list identification code | an..17 | O | | |
| | 3055 | Code list responsible agency code | an..3 | D | | 9 GS1 |
| | 3207 | Country name code | an..3 | O | | |
| | C224 | Equipment size and type | | O | | |
| | 8155 | Equipment size and type description code | an..10 | O | | 6 Pressurized tank 21 Container IC 20 ft. |
| | 1131 | Code list identification code | an..17 | O | | |
| | 3055 | Code list responsible agency code | an..3 | D | | |
| | 8154 | Equipment size and type description | an..35 | O | | |
| | 8077 | Equipment supplier code | an..3 | O | | 1 Shipper supplied 2 Carrier supplied |
| | 8249 | Equipment status code | an..3 | O | | |
| | 8169 | Full or empty indicator code | an..3 | O | | 4 Empty 5 Full |
| <p>This segment is used to indicate the units of equipment which will be used to transport the consolidated consignment. Example: Example: EQD+CN+X:23:9:AD+6:23:2:X+1+4E+4'</p> | | | | | | |

Max. Occ. = Maximum Occurrence, St = Status, * = Restricted Codes

Status: M=Mandatory, R=Required, O=Optional, C=Conditional, D=Dependent, A=Advised, N=Not used

Segment Layout

Example: EQD+UL+45223'

Segment Layout

| No. | Seg | St | Max. Occ. | | | |
|--|---|------------------------|-----------|-----------------|---|-------------|
| | SG21 | C | 999 | EQD-EQN-SEL-NAD | | |
| | <p>A group of segments to specify equipment in which consignments are transported (e.g. trailer, railway wagon, ULD, etc.). This segment group WILL NOT be used in the deep sea context. This is because EQD in this context is used to define an extended transport such as a trailer attached to a truck, containers attached to a trailer etc. Containers in the deep sea context ARE NOT part of an extended definition of transport but are considered as integral with the consignment and are thus described at the consignment level.</p> | | | | | |
| 24 | EQN | C | 1 | Number of units | | |
| | To specify the number of units. | | | | | |
| Business Term | DE | EDIFACT | Format | St | * | Description |
| | C523 | Number of unit details | | M | | |
| | 6350 | Units quantity | n..15 | R | | |
| <p>This segment is used to specify the number of pieces of equipment required for the transport of the consolidated consignment. Example: Example: EQN+9 ' Example: EQN+1 '</p> | | | | | | |

Max. Occ. = Maximum Occurrence, St = Status, * = Restricted Codes
 Status: M=Mandatory, R=Required, O=Optional, C=Conditional, D=Dependent, A=Advised, N=Not used

Segment Layout

| No. Seg | St | Max. Occ. | | | | |
|---|------------|-----------------------------------|-----------------|-------------|---|--|
| SG21 | C | 999 | EQD-EQN-SEL-NAD | | | |
| <p>A group of segments to specify equipment in which consignments are transported (e.g. trailer, railway wagon, ULD, etc.). This segment group WILL NOT be used in the deep sea context. This is because EQD in this context is used to define an extended transport such as a trailer attached to a truck, containers attached to a trailer etc. Containers in the deep sea context ARE NOT part of an extended definition of transport but are considered as integral with the consignment and are thus described at the consignment level.</p> | | | | | | |
| 25 | SEL | C | 9 | Seal number | | |
| <p>To specify the seal number or a range of seal numbers.</p> | | | | | | |
| Business Term | DE | EDIFACT | Format | St | * | Description |
| | 9308 | Seal identifier | an..35 | R | | |
| | C215 | Seal issuer | | R | | |
| | 9303 | Sealing party name code | an..3 | R | | CA Carrier CU Customs SH Shipper |
| | 1131 | Code list identification code | an..17 | O | | |
| | 3055 | Code list responsible agency code | an..3 | D | | |
| | 9302 | Sealing party name | an..35 | O | | |
| | 4517 | Seal condition code | an..3 | O | | |
| <p>This segment is used to specify a seal number and to identify the sealing party for the equipment identified in the EQD segment.</p> <p>Example: Dependency Notes: The use of the SEL segment in the segment group 21 respectively 70 is recommended. Only if customs seals are involved in particular transport environments such as bonded goods the SEL segment in the segment group 33 should be used.</p> <p>Example: SEL+X+CA:23:2:X+1 ' Example: SEL+96753+SH'</p> | | | | | | |

Max. Occ. = Maximum Occurrence, St = Status, * = Restricted Codes
 Status: M=Mandatory, R=Required, O=Optional, C=Conditional, D=Dependent, A=Advised, N=Not used

Segment Layout

| No. Seg | St | Max. Occ. | | | |
|---------------|------------|--------------------------------------|--|--|--|
| SG21 | C | 999 | EQD-EQN-SEL-NAD | | |
| | | | A group of segments to specify equipment in which consignments are transported (e.g. trailer, railway wagon, ULD, etc.). This segment group WILL NOT be used in the deep sea context. This is because EQD in this context is used to define an extended transport such as a trailer attached to a truck, containers attached to a trailer etc. Containers in the deep sea context ARE NOT part of an extended definition of transport but are considered as integral with the consignment and are thus described at the consignment level. | | |
| 26 | NAD | C | 9 | Name and address | |
| | | | | To specify the name/address and their related function, either by C082 only and/or unstructured by C058 or structured by C080 thru 3207. | |
| Business Term | DE | EDIFACT | Format | St | * Description |
| | 3035 | Party function code qualifier | an..3 | M | CK Empty equipment despatch party CR Empty equipment return party CW Equipment owner |
| | C082 | Party identification details | | A | |
| | 3039 | Party identifier | an..35 | M | |
| | 1131 | Code list identification code | an..17 | N | |
| | 3055 | Code list responsible agency code | an..3 | R | 9 GS1 |
| | C058 | Name and address | | O | This composite may only be used to fulfill the requirements of directive 2003/58/EC, article 4. |
| | 3124 | Name and address description | an..35 | M | |
| | 3124 | Name and address description | an..35 | O | |
| | 3124 | Name and address description | an..35 | O | |
| | 3124 | Name and address description | an..35 | O | |
| | 3124 | Name and address description | an..35 | O | |
| | C080 | Party name | | D | |
| | 3036 | Party name | an..35 | M | Party Name in clear text. |
| | 3036 | Party name | an..35 | O | |
| | 3036 | Party name | an..35 | O | |
| | 3036 | Party name | an..35 | O | |
| | 3036 | Party name | an..35 | O | |
| | 3045 | Party name format code | an..3 | O | |
| | C059 | Street | | D | |
| | 3042 | Street and number or | an..35 | M | Building Name/Number and |

Max. Occ. = Maximum Occurrence, St = Status, * = Restricted Codes

Status: M=Mandatory, R=Required, O=Optional, C=Conditional, D=Dependent, A=Advised, N=Not used

Segment Layout

| Business Term | DE | EDIFACT | Format | St | * | Description |
|---------------|------|---|--------|----|---|---------------------------|
| | | post office box identifier | | | | Street |
| | 3042 | Street and number or post office box identifier | an..35 | O | | Name and/or P.O. Box |
| | 3042 | Street and number or post office box identifier | an..35 | O | | |
| | 3042 | Street and number or post office box identifier | an..35 | O | | |
| | 3164 | City name | an..35 | D | | City/Town, clear text. |
| | C819 | Country sub-entity details | | D | | |
| | 3229 | Country sub-entity name code | an..9 | O | | |
| | 1131 | Code list identification code | an..17 | O | | |
| | 3055 | Code list responsible agency code | an..3 | O | | |
| | 3228 | Country sub-entity name | an..70 | O | | County/State, clear text. |
| | 3251 | Postal identification code | an..17 | D | | Postal Code |
| | 3207 | Country name code | an..3 | D | | ISO 3166 two alpha code |

This segment is used to identify any parties related to the equipment specified in the EQD segment.

Example:

Dependency Notes:

The following composites and data elements are only used when a coded name and address can not be used. The affected composites and data elements are as follows:

C080 - C059 - 3164 - C819 - 3251 - 3207

Example: NAD+CK+X::9+X:::X+X:X:X:X:X:1+X:X:X+X+X:23:2:X+X+AD'

Example: NAD+CK+3323456007896::9'

Max. Occ. = Maximum Occurrence, St = Status, * = Restricted Codes

Status: M=Mandatory, R=Required, O=Optional, C=Conditional, D=Dependent, A=Advised, N=Not used

Segment Layout

| No. Seg | St | Max. Occ. | | | | |
|--|------------|--------------------------------------|--|----|---|--------------------------------------|
| SG25 | C | 9999 | CNI-DTM-CNT-TSR-MOA-FTX-SG31-SG32-SG33-SG38-SG43-SG50-SG70 | | | |
| A segment group to give information about all consignments included in a voyage/flight or consolidation. | | | | | | |
| 27 | CNI | M 1 | Consignment information To identify one consignment. | | | |
| Business Term | DE | EDIFACT | Format | St | * | Description |
| | 1490 | Consolidation item number | n..4 | R | | |
| | C503 | Document/message details | | O | | |
| | 1004 | Document identifier | an..35 | R | | Consignor shipment reference number. |
| | 1373 | Document status code | an..3 | O | | |
| | 1312 | Consignment load sequence identifier | n..4 | O | | |
| <p>This segment is used to identify a consignment included in the consolidation by its shipment reference number. In the IFTMnn messages the shipment reference number is provided in data element 1153 of the RFF segment at the message level using the code value 'CU'. Example:</p> <p>Example: CNI+9+X:1+9' Example: CNI+12+AVV23441'</p> | | | | | | |

Max. Occ. = Maximum Occurrence, St = Status, * = Restricted Codes
Status: M=Mandatory, R=Required, O=Optional, C=Conditional, D=Dependent, A=Advised, N=Not used

Segment Layout

| No. Seg | St | Max. Occ. | | | | |
|--|------------|--|--|----|---|---|
| SG25 | C | 9999 | CNI-DTM-CNT-TSR-MOA-FTX-SG31-SG32-SG33-SG38-SG43-SG50-SG70 | | | |
| A segment group to give information about all consignments included in a voyage/flight or consolidation. | | | | | | |
| 28 | DTM | C 9 | Date/time/period | | | To specify date, and/or time, or period. |
| Business Term | DE | EDIFACT | Format | St | * | Description |
| | C507 | Date/time/period | | M | | |
| | 2005 | Date or time or period function code qualifier | an..3 | M | * | 2 Delivery date/time, requested 10 Shipment date/time, requested 11 Despatch date and/or time 17 Delivery date/time, estimated 36 Expiry date 63 Delivery date/time, latest 64 Delivery date/time, earliest 175 Advise before date/time 200 Pick-up/collection date/time of cargo 234 Collection date/time, earliest 235 Collection date/time, latest |
| | 2380 | Date or time or period value | an..35 | R | | |
| | 2379 | Date or time or period format code | an..3 | R | | 102 CCYYMMDD 203 CCYYMMDDHHMM 719 CCYYMMDDHHMM-CCYYMMDDHHMM |
| This segment is used to specify any dates related to the consignment identified in the CNI segment. Example: Example: DTM+2:X:102' Example: DTM+2:19960115:102' | | | | | | |

Max. Occ. = Maximum Occurrence, St = Status, * = Restricted Codes
 Status: M=Mandatory, R=Required, O=Optional, C=Conditional, D=Dependent, A=Advised, N=Not used

Segment Layout

| No. Seg | St | Max. Occ. | | | | |
|--|------------|--------------------------------------|--|----|---|---|
| SG25 | C | 9999 | CNI-DTM-CNT-TSR-MOA-FTX-SG31-SG32-SG33-SG38-SG43-SG50-SG70 | | | |
| A segment group to give information about all consignments included in a voyage/flight or consolidation. | | | | | | |
| 29 | CNT | C 9 | Control total | | | |
| To provide control total. | | | | | | |
| Business Term | DE | EDIFACT | Format | St | * | Description |
| | C270 | Control | | M | | |
| | 6069 | Control total type code qualifier | an..3 | M | | 11 Total number of packages 15 Total consignment, cube |
| | 6066 | Control total value | n..18 | M | | |
| | 6411 | Measurement unit code | an..3 | O | | |
| <p>This segment is used to provide consignment control information such as, the total number of packages in the consignment. Example: Example: CNT+11:9:58' Example: CNT+11:42'</p> | | | | | | |

Max. Occ. = Maximum Occurrence, St = Status, * = Restricted Codes
 Status: M=Mandatory, R=Required, O=Optional, C=Conditional, D=Dependent, A=Advised, N=Not used

Segment Layout

| No. Seg | St | Max. Occ. | | | | |
|--|------------|--------------------------------------|--|----|---|--|
| SG25 | C | 9999 | CNI-DTM-CNT-TSR-MOA-FTX-SG31-SG32-SG33-SG38-SG43-SG50-SG70 | | | |
| | | | A segment group to give information about all consignments included in a voyage/flight or consolidation. | | | |
| 30 | TSR | C 9 | Transport service requirements | | | |
| | | | To specify the contract and carriage conditions and service and priority requirements for the transport. | | | |
| Business Term | DE | EDIFACT | Format | St | * | Description |
| | C536 | Contract and carriage condition | | O | | |
| | 4065 | Contract and carriage condition code | an..3 | M | | 2 Special agreement for parcels transport 3 Special agreement for full loading transport 5 FIATA combined transport bill of lading |
| | 1131 | Code list identification code | an..17 | O | | |
| | 3055 | Code list responsible agency code | an..3 | D | | |
| | C233 | Service | | O | | |
| | 7273 | Service requirement code | an..3 | M | | 1 Carrier loads 4 Shipper loads 13 Carrier unloads 15 Consignee unloads |
| | 1131 | Code list identification code | an..17 | O | | |
| | 3055 | Code list responsible agency code | an..3 | D | | |
| | 7273 | Service requirement code | an..3 | O | | |
| | 1131 | Code list identification code | an..17 | O | | |
| | 3055 | Code list responsible agency code | an..3 | D | | |
| | C537 | Transport priority | | O | | |
| | 4219 | Transport service priority code | an..3 | M | | 1 Express 2 High speed 3 Normal speed |
| | 1131 | Code list identification code | an..17 | O | | |
| | 3055 | Code list responsible agency code | an..3 | D | | |
| This segment is used to indicate any special contracts, services or priorities related to the current consignment. Example: | | | | | | |

Max. Occ. = Maximum Occurrence, St = Status, * = Restricted Codes

Status: M=Mandatory, R=Required, O=Optional, C=Conditional, D=Dependent, A=Advised, N=Not used

Segment Layout

Example: TSR+2:23:2+1:23:2:1:23:2+1:23:2'

Example: TSR+3+1'

Segment Layout

| No. Seg | St | Max. Occ. | | | | |
|---|------------|-------------------------------------|--|----|---|---|
| SG25 | C | 9999 | CNI-DTM-CNT-TSR-MOA-FTX-SG31-SG32-SG33-SG38-SG43-SG50-SG70 | | | |
| A segment group to give information about all consignments included in a voyage/flight or consolidation. | | | | | | |
| 31 | MOA | C 99 | Monetary amount | | | |
| To specify a monetary amount. | | | | | | |
| Business Term | DE | EDIFACT | Format | St | * | Description |
| | C516 | Monetary amount | | M | | |
| | 5025 | Monetary amount type code qualifier | an..3 | M | | 22 Cash on delivery amount 40 Customs value 44 Declared value for carriage 157 Insurance value |
| | 5004 | Monetary amount | n..35 | R | | |
| | 6345 | Currency identification code | an..3 | O | | |
| This segment is used to specify monetary values related to the current consignment. Example: Example: MOA+22:9:EUR ' Example: MOA+157:62112' | | | | | | |

Max. Occ. = Maximum Occurrence, St = Status, * = Restricted Codes
Status: M=Mandatory, R=Required, O=Optional, C=Conditional, D=Dependent, A=Advised, N=Not used

Segment Layout

| No. Seg | St | Max. Occ. | | | | |
|---|------------|-----------------------------------|--|----|---|---|
| SG25 | C | 9999 | CNI-DTM-CNT-TSR-MOA-FTX-SG31-SG32-SG33-SG38-SG43-SG50-SG70 | | | |
| | | | A segment group to give information about all consignments included in a voyage/flight or consolidation. | | | |
| 32 | FTX | C 99 | Free text | | | |
| | | | To provide free form or coded text information. | | | |
| Business Term | DE | EDIFACT | Format | St | * | Description |
| | 4451 | Text subject code qualifier | an..3 | M | | AAI General information BLR Transport document remarks DEL Delivery information HAN Handling instructions |
| | 4453 | Free text function code | an..3 | O | | 1 Text for subsequent use |
| | C107 | Text reference | | D | | This composite is only used when trading partners have agreed to use mutually defined code values. |
| | 4441 | Free text value code | an..17 | M | | |
| | 1131 | Code list identification code | an..17 | O | | |
| | 3055 | Code list responsible agency code | an..3 | D | | 91 Assigned by supplier or supplier's agent 92 Assigned by buyer or buyer's agent |
| | C108 | Text literal | | D | | This composite is only used if coded text can not be used. |
| | 4440 | Free text value | an..51 | M | | |
| | 4440 | Free text value | an..51 | O | | |
| | 4440 | Free text value | an..51 | O | | |
| | 4440 | Free text value | an..51 | O | | |
| | 4440 | Free text value | an..51 | O | | |
| | 3453 | Language name code | an..3 | D | | ISO 639 two alpha code This data element is only used when non coded free text has been provided in data element C108. |
| <p>This segment is used to provide free form or coded text information related to consignment. Use of this segment in free form is not recommended since it may inhibit automatic processing of the Forwarding and Consolidation Summary. Coded references to standard texts is an available functionality which enables automatic processing and reduces transmission overheads. Standard texts should be mutually defined between trading partners and can be used to cover legal or other requirements.</p> <p>Example: (Code "002" is agreed to express = Please ensure complete delivery on requested date.)</p> | | | | | | |

Max. Occ. = Maximum Occurrence, St = Status, * = Restricted Codes

Status: M=Mandatory, R=Required, O=Optional, C=Conditional, D=Dependent, A=Advised, N=Not used

Segment Layout

Example: FTX+AAI+1+1E:23:91+X:X:X:X+AA '

Example: FTX+DEL+1+002::91 '

Segment Layout

| No. Seg | St | Max. Occ. | | | | |
|---|------------|--|--|--------------------------------|---|---|
| SG25 | C | 9999 | CNI-DTM-CNT-TSR-MOA-FTX-SG31-SG32-SG33-SG38-SG43-SG50-SG70 | | | |
| A segment group to give information about all consignments included in a voyage/flight or consolidation. | | | | | | |
| SG31 | C | 2 | TOD-LOC | | | |
| A group of segments to specify terms of delivery and related locations. | | | | | | |
| 33 | TOD | M | 1 | Terms of delivery or transport | | |
| To specify terms of delivery or transport. | | | | | | |
| Business Term | DE | EDIFACT | Format | St | * | Description |
| | 4055 | Delivery or transport terms function code | an..3 | R | | 6 Delivery condition |
| | 4215 | Transport charges payment method code | an..3 | O | | CC Collect PP Prepaid (by seller) |
| | C100 | Terms of delivery or transport | | A | | |
| | 4053 | Delivery or transport terms description code | an..3 | R | | INCOTERMS (See EANCOM Codes Set) If INCOTERMS are applicable, then DE 3055 has to contain code value "9" and DE 1131 must be used. |
| | 1131 | Code list identification code | an..17 | D | | |
| | 3055 | Code list responsible agency code | an..3 | D | | |
| | 4052 | Delivery or transport terms description | an..70 | O | | |
| | 4052 | Delivery or transport terms description | an..70 | O | | |
| This segment is used to specify the terms of delivery for the current consignment. Example: Example: TOD+2+CC+01E:23:2:X:X' Example: TOD+6++CFR:2E:9' Example: TOD+6++CIF:2E:9' | | | | | | |

Max. Occ. = Maximum Occurrence, St = Status, * = Restricted Codes

Status: M=Mandatory, R=Required, O=Optional, C=Conditional, D=Dependent, A=Advised, N=Not used

Segment Layout

| No. Seg | St | Max. Occ. | | | | |
|---|------------|-----------------------------------|--|-------------------------------|---|---|
| SG25 | C | 9999 | CNI-DTM-CNT-TSR-MOA-FTX-SG31-SG32-SG33-SG38-SG43-SG50-SG70 | | | |
| A segment group to give information about all consignments included in a voyage/flight or consolidation. | | | | | | |
| SG31 | C | 2 | TOD-LOC | | | |
| A group of segments to specify terms of delivery and related locations. | | | | | | |
| 34 | LOC | C | 9 | Place/location identification | | |
| To identify a place or a location and/or related locations. | | | | | | |
| Business Term | DE | EDIFACT | Format | St | * | Description |
| | 3227 | Location function code qualifier | an..3 | M | * | 1 Place of terms of delivery |
| | C517 | Location identification | | A | | |
| | 3225 | Location name code | an..25 | A | | UN/LOCODE |
| | 1131 | Code list identification code | an..17 | O | | |
| | 3055 | Code list responsible agency code | an..3 | D | | 3 IATA (International Air Transport Association) 9 GS1 DE 3055 must be used if DE 3225 is used and does not contain an UN/LOCODE. |
| | 3224 | Location name | an..25 | O | | |
| This segment is used to indicate the location to which the terms of delivery apply. Example: Example: LOC+1+X:23:6:X' Example: LOC+1+BE-BRU' | | | | | | |

Max. Occ. = Maximum Occurrence, St = Status, * = Restricted Codes

Status: M=Mandatory, R=Required, O=Optional, C=Conditional, D=Dependent, A=Advised, N=Not used

Segment Layout

| No. Seg | St | Max. Occ. | | | | |
|--|------------|--------------------------|--|----|---|--|
| SG25 | C | 9999 | CNI-DTM-CNT-TSR-MOA-FTX-SG31-SG32-SG33-SG38-SG43-SG50-SG70 | | | |
| A segment group to give information about all consignments included in a voyage/flight or consolidation. | | | | | | |
| SG32 | C | 999 | RFF-DTM | | | |
| A group of segments containing a reference and constants which apply to the entire consignment. | | | | | | |
| 35 | RFF | M 1 | Reference | | | |
| To specify a reference. | | | | | | |
| Business Term | DE | EDIFACT | Format | St | * | Description |
| | C506 | Reference | | M | | |
| | 1153 | Reference code qualifier | an..3 | M | | CT Contract number LC Letter of credit number |
| | 1154 | Reference identifier | an..70 | R | | |
| This segment is used to specify any references related to the current consignment. Example: Example: RFF+CT:X' Example: RFF+CT:76214' | | | | | | |

Max. Occ. = Maximum Occurrence, St = Status, * = Restricted Codes
Status: M=Mandatory, R=Required, O=Optional, C=Conditional, D=Dependent, A=Advised, N=Not used

Segment Layout

| No. Seg | St | Max. Occ. | |
|---|------------|--|--|
| SG25 | C | 9999 | CNI-DTM-CNT-TSR-MOA-FTX-SG31-SG32-SG33-SG38-SG43-SG50-SG70 |
| A segment group to give information about all consignments included in a voyage/flight or consolidation. | | | |
| SG32 | C | 999 | RFF-DTM |
| A group of segments containing a reference and constants which apply to the entire consignment. | | | |
| 36 | DTM | C 9 | Date/time/period |
| To specify date, and/or time, or period. | | | |
| Business Term | DE | EDIFACT | Format St * Description |
| | C507 | Date/time/period | M |
| | 2005 | Date or time or period function code qualifier | an..3 M * 171 Reference date/time |
| | 2380 | Date or time or period value | an..35 R |
| | 2379 | Date or time or period format code | an..3 R 102 CCYYMMDD 203 CCYYMMDDHHMM |
| This segment is used to specify any dates related to the previous RFF segment. Example: Example: DTM+171:X:102' Example: DTM+171:19931125:102' | | | |

Max. Occ. = Maximum Occurrence, St = Status, * = Restricted Codes
Status: M=Mandatory, R=Required, O=Optional, C=Conditional, D=Dependent, A=Advised, N=Not used

Segment Layout

| No. Seg | St | Max. Occ. | | | | |
|--|------------|---------------------------------------|--|---------------------------|---|--|
| SG25 | C | 9999 | CNI-DTM-CNT-TSR-MOA-FTX-SG31-SG32-SG33-SG38-SG43-SG50-SG70 | | | |
| A segment group to give information about all consignments included in a voyage/flight or consolidation. | | | | | | |
| SG33 | C | 9 | GOR-DTM-LOC-SEL-FTX-SG34 | | | |
| A group of segments to identify customs and other governmental procedures and required documents. | | | | | | |
| 37 | GOR | M | 1 | Governmental requirements | | |
| To indicate the requirement for a specific governmental action and/or procedure or which specific procedure is valid for a specific part of the transport. | | | | | | |
| Business Term | DE | EDIFACT | Format | St | * | Description |
| | 8323 | Transport movement code | an..3 | O | | 1 Export 2 Import 3 Transit |
| | C232 | Government action | | R | | |
| | 9415 | Government agency identification code | an..3 | R | | 5 Customs 7 Health certificate 10 Live animals |
| | 9411 | Government involvement code | an..3 | O | | 6 Required |
| | 9417 | Government action code | an..3 | N | | |
| | 9353 | Government procedure code | an..3 | O | | 1 Already customs cleared in the importing country 2 Documents requirements completed 5 Inspection arrangements required |
| | C232 | Government action | | O | | |
| | 9415 | Government agency identification code | an..3 | R | | |
| | 9411 | Government involvement code | an..3 | O | | |
| | 9417 | Government action code | an..3 | N | | |
| | 9353 | Government procedure code | an..3 | O | | |
| | C232 | Government action | | O | | |
| | 9415 | Government agency identification code | an..3 | R | | |
| | 9411 | Government involvement code | an..3 | O | | |
| | 9417 | Government action code | an..3 | N | | |
| | 9353 | Government procedure code | an..3 | O | | |

Max. Occ. = Maximum Occurrence, St = Status, * = Restricted Codes

Status: M=Mandatory, R=Required, O=Optional, C=Conditional, D=Dependent, A=Advised, N=Not used

Segment Layout

| Business Term | DE | EDIFACT | Format | St | * | Description |
|---------------|------|---------------------------------------|--------|----|---|-------------|
| | | code | | | | |
| | C232 | Government action | | O | | |
| | 9415 | Government agency identification code | an..3 | R | | |
| | 9411 | Government involvement code | an..3 | O | | |
| | 9417 | Government action code | an..3 | N | | |
| | 9353 | Government procedure code | an..3 | O | | |

This segment is used to indicate any applicable governmental procedures and required action related to the import, export or transit of the current consignment, e.g. arrangements to be made for the inspection of the goods by customs at the time of export.

Example:

Example: GOR+1+5:6::1+5:6::1+5:6::1+5:6::1'

Example: GOR+1+5:6::5'

Max. Occ. = Maximum Occurrence, St = Status, * = Restricted Codes

Status: M=Mandatory, R=Required, O=Optional, C=Conditional, D=Dependent, A=Advised, N=Not used

Segment Layout

| No. Seg | St | Max. Occ. | | | | |
|--|------------|--|--|------------------|---|--|
| SG25 | C | 9999 | CNI-DTM-CNT-TSR-MOA-FTX-SG31-SG32-SG33-SG38-SG43-SG50-SG70 | | | |
| A segment group to give information about all consignments included in a voyage/flight or consolidation. | | | | | | |
| SG33 | C | 9 | GOR-DTM-LOC-SEL-FTX-SG34 | | | |
| A group of segments to identify customs and other governmental procedures and required documents. | | | | | | |
| 38 | DTM | C | 9 | Date/time/period | | |
| To specify date, and/or time, or period. | | | | | | |
| Business Term | DE | EDIFACT | Format | St | * | Description |
| | C507 | Date/time/period | | M | | |
| | 2005 | Date or time or period function code qualifier | an..3 | M | | 182 Issue date 192 Expiration date/time of customs document |
| | 2380 | Date or time or period value | an..35 | R | | |
| | 2379 | Date or time or period format code | an..3 | R | | 102 CCYYMMDD |
| <p>This segment is used to specify any dates or periods related to governmental procedures and/or documents for the current consignment, e.g. the expiration date of the related customs documents.</p> <p>Example:</p> <p>Example: DTM+2:X:2'</p> <p>Example: DTM+192:19990605:102'</p> | | | | | | |

Max. Occ. = Maximum Occurrence, St = Status, * = Restricted Codes
 Status: M=Mandatory, R=Required, O=Optional, C=Conditional, D=Dependent, A=Advised, N=Not used

Segment Layout

| No. Seg | St | Max. Occ. | | | | |
|---|------------|-----------------------------------|--|-------------------------------|---|---|
| SG25 | C | 9999 | CNI-DTM-CNT-TSR-MOA-FTX-SG31-SG32-SG33-SG38-SG43-SG50-SG70 | | | |
| A segment group to give information about all consignments included in a voyage/flight or consolidation. | | | | | | |
| SG33 | C | 9 | GOR-DTM-LOC-SEL-FTX-SG34 | | | |
| A group of segments to identify customs and other governmental procedures and required documents. | | | | | | |
| 39 | LOC | C | 9 | Place/location identification | | |
| To identify a place or a location and/or related locations. | | | | | | |
| Business Term | DE | EDIFACT | Format | St | * | Description |
| | 3227 | Location function code qualifier | an..3 | M | | 42 Customs office of exit 45 Customs office of destination (transit) |
| | C517 | Location identification | | A | | |
| | 3225 | Location name code | an..25 | A | | UN/LOCODE |
| | 1131 | Code list identification code | an..17 | O | | |
| | 3055 | Code list responsible agency code | an..3 | D | | 3 IATA (International Air Transport Association) 9 GS1 DE 3055 must be used if DE 3225 is used and does not contain an UN/LOCODE. |
| | 3224 | Location name | an..25 | O | | |
| <p>This segment is used to identify any locations related to the governmental procedures for the current consignment, e.g. the customs office at which the consignment leaves the country. Example:</p> <p>Example: LOC+42+X:23:3:X'</p> <p>Example: LOC+42+BE-BRU'</p> | | | | | | |

Max. Occ. = Maximum Occurrence, St = Status, * = Restricted Codes
Status: M=Mandatory, R=Required, O=Optional, C=Conditional, D=Dependent, A=Advised, N=Not used

Segment Layout

| No. Seg | St | Max. Occ. | |
|--|------------|-----------|--|
| SG25 | C | 9999 | CNI-DTM-CNT-TSR-MOA-FTX-SG31-SG32-SG33-SG38-SG43-SG50-SG70 |
| A segment group to give information about all consignments included in a voyage/flight or consolidation. | | | |
| SG33 | C | 9 | GOR-DTM-LOC-SEL-FTX-SG34 |
| A group of segments to identify customs and other governmental procedures and required documents. | | | |
| 40 | SEL | C 9 | Seal number |
| To specify the seal number or a range of seal numbers. | | | |

| Business Term | DE | EDIFACT | Format | St | * | Description |
|---------------|------|-----------------------------------|--------|----|---|--|
| | 9308 | Seal identifier | an..35 | R | | |
| | C215 | Seal issuer | | R | | |
| | 9303 | Sealing party name code | an..3 | R | | CA Carrier CU Customs SH Shipper TO Terminal operator |
| | 1131 | Code list identification code | an..17 | O | | |
| | 3055 | Code list responsible agency code | an..3 | D | | |
| | 9302 | Sealing party name | an..35 | O | | |
| | 4517 | Seal condition code | an..3 | O | | |

This segment is used to specify a seal number and the sealing party for the current consignment, e.g. the carrier being responsible for sealing the truck(s).

Example:

Dependency Notes:

The use of the SEL segment in the segment group 21 respectively 70 is recommended. Only if customs seals are involved in particular transport environments such as bonded goods the SEL segment in the segment group 33 should be used.

Example: SEL+X+CA:23:2:X+1'

Example: SEL+4282+CA:::EUROLOG'

Max. Occ. = Maximum Occurrence, St = Status, * = Restricted Codes

Status: M=Mandatory, R=Required, O=Optional, C=Conditional, D=Dependent, A=Advised, N=Not used

Segment Layout

| No. Seg | St | Max. Occ. | | | | |
|--|------------|-----------------------------------|--|-----------|---|---|
| SG25 | C | 9999 | CNI-DTM-CNT-TSR-MOA-FTX-SG31-SG32-SG33-SG38-SG43-SG50-SG70 | | | |
| A segment group to give information about all consignments included in a voyage/flight or consolidation. | | | | | | |
| SG33 | C | 9 | GOR-DTM-LOC-SEL-FTX-SG34 | | | |
| A group of segments to identify customs and other governmental procedures and required documents. | | | | | | |
| 41 | FTX | C | 9 | Free text | | |
| To provide free form or coded text information. | | | | | | |
| Business Term | DE | EDIFACT | Format | St | * | Description |
| | 4451 | Text subject code qualifier | an..3 | M | | CIP Customs clearance instruction import |
| | 4453 | Free text function code | an..3 | O | | 1 Text for subsequent use 3 Text for immediate use |
| | C107 | Text reference | | D | | This composite is only used when trading partners have agreed to use mutually defined code values. |
| | 4441 | Free text value code | an..17 | M | | |
| | 1131 | Code list identification code | an..17 | O | | |
| | 3055 | Code list responsible agency code | an..3 | D | | 91 Assigned by supplier or supplier's agent 92 Assigned by buyer or buyer's agent |
| | C108 | Text literal | | D | | This composite is only used if coded text can not be used. |
| | 4440 | Free text value | an..51 | M | | |
| | 4440 | Free text value | an..51 | O | | |
| | 4440 | Free text value | an..51 | O | | |
| | 4440 | Free text value | an..51 | O | | |
| | 4440 | Free text value | an..51 | O | | |
| | 3453 | Language name code | an..3 | D | | ISO 639 two alpha code This data element is only used when non coded free text has been provided in data element C108. |
| <p>This segment is used to specify additional information for the current consignment. Use of this segment in free form is not recommended since it may inhibit automatic processing of the Forwarding and Consolidation Summary Message. Coded references to standard texts is an available functionality which enables automatic processing and reduces transmission and processing overheads. Standard texts should be mutually defined among trading partners and can be used to cover legal and other requirements.</p> | | | | | | |

Max. Occ. = Maximum Occurrence, St = Status, * = Restricted Codes

Status: M=Mandatory, R=Required, O=Optional, C=Conditional, D=Dependent, A=Advised, N=Not used

Segment Layout

Example:

Example: FTX+1E+1+1E:23:91+X:X:X:X+AA'

Example: FTX+CIP+1+001::91'

Max. Occ. = Maximum Occurrence, St = Status, * = Restricted Codes

Status: M=Mandatory, R=Required, O=Optional, C=Conditional, D=Dependent, A=Advised, N=Not used

Segment Layout

| No. Seg | St | Max. Occ. | | | | |
|---|------------|--------------------------------------|--|--------------------------|---|--|
| SG25 | C | 9999 | CNI-DTM-CNT-TSR-MOA-FTX-SG31-SG32-SG33-SG38-SG43-SG50-SG70 | | | |
| A segment group to give information about all consignments included in a voyage/flight or consolidation. | | | | | | |
| SG33 | C | 9 | GOR-DTM-LOC-SEL-FTX-SG34 | | | |
| A group of segments to identify customs and other governmental procedures and required documents. | | | | | | |
| SG34 | C | 9 | DOC-DTM | | | |
| A group of segments to specify required documents by government. | | | | | | |
| 42 | DOC | M | 1 | Document/message details | | |
| To identify documents and details directly related to it. | | | | | | |
| Business Term | DE | EDIFACT | Format | St | * | Description |
| | C002 | Document/message name | | M | | |
| | 1001 | Document name code | an..3 | R | | 821 Despatch note model T1 822 Despatch note model T2 |
| | 1131 | Code list identification code | an..17 | O | | |
| | 3055 | Code list responsible agency code | an..3 | D | | |
| | 1000 | Document name | an..35 | O | | |
| | C503 | Document/message details | | O | | |
| | 1004 | Document identifier | an..35 | R | | |
| | 1373 | Document status code | an..3 | O | | 2 Accompanying goods 4 To arrive by separate EDI message 9 To be printed 17 Document with the goods |
| | 1366 | Document source description | an..70 | O | | |
| | 3453 | Language name code | an..3 | O | | ISO 639 two alpha |
| | 3153 | Communication medium type code | an..3 | N | | |
| | 1220 | Document copies required quantity | n..2 | O | | |
| | 1218 | Document originals required quantity | n..2 | O | | |
| This segment is used to identify any documentation related to the current consignment which is required by government, e.g. despatch note model T2 that ascertains that all goods of the consignment were originally produced in a country of the European Community. | | | | | | |

Max. Occ. = Maximum Occurrence, St = Status, * = Restricted Codes

Status: M=Mandatory, R=Required, O=Optional, C=Conditional, D=Dependent, A=Advised, N=Not used

Segment Layout

Example:

Example: DOC+821:23:2:X+X:2:X:AA++9+9'

Example: DOC+822+12345:2'

Max. Occ. = Maximum Occurrence, St = Status, * = Restricted Codes

Status: M=Mandatory, R=Required, O=Optional, C=Conditional, D=Dependent, A=Advised, N=Not used

Segment Layout

| No. | Seg | St | Max. Occ. | |
|-----|--|----|-----------|--|
| | SG25 | C | 9999 | CNI-DTM-CNT-TSR-MOA-FTX-SG31-SG32-SG33-SG38-SG43-SG50-SG70 |
| | A segment group to give information about all consignments included in a voyage/flight or consolidation. | | | |
| | SG33 | C | 9 | GOR-DTM-LOC-SEL-FTX-SG34 |
| | A group of segments to identify customs and other governmental procedures and required documents. | | | |
| | SG34 | C | 9 | DOC-DTM |
| | A group of segments to specify required documents by government. | | | |
| 43 | DTM | C | 1 | Date/time/period |
| | To specify date, and/or time, or period. | | | |

| Business Term | DE | EDIFACT | Format | St | * | Description |
|---------------|------|--|--------|----|---|--|
| | C507 | Date/time/period | | M | | |
| | 2005 | Date or time or period function code qualifier | an..3 | M | * | 7 Effective date/time 36 Expiry date 137 Document/message date/time 273 Validity period |
| | 2380 | Date or time or period value | an..35 | R | | |
| | 2379 | Date or time or period format code | an..3 | R | | 102 CCYYMMDD 203 CCYYMMDDHHMM 718 CCYYMMDD-CCYYMMDD |

This segment is used to specify any dates related to the previous DOC segment, e.g. date of the despatch note model T2.

Example:

Example: DTM+7:X:2'

Example: DTM+137:19990605:102'

Max. Occ. = Maximum Occurrence, St = Status, * = Restricted Codes

Status: M=Mandatory, R=Required, O=Optional, C=Conditional, D=Dependent, A=Advised, N=Not used

Segment Layout

| No. Seg | St | Max. Occ. | | | | |
|--|------------|---------------------------------------|--|----------------------|---|--|
| SG25 | C | 9999 | CNI-DTM-CNT-TSR-MOA-FTX-SG31-SG32-SG33-SG38-SG43-SG50-SG70 | | | |
| A segment group to give information about all consignments included in a voyage/flight or consolidation. | | | | | | |
| SG38 | C | 99 | TDT-DTM-SG39-SG40 | | | |
| A group of segments to indicate details of the movement of goods such as mode and means of transport, locations, departure, and arrival date(s) and time(s). | | | | | | |
| 44 | TDT | M | 1 | Details of transport | | |
| To specify the transport details such as mode of transport, means of transport, its conveyance reference number and the identification of the means of transport. The segment may be pointed to by the TPL segment. | | | | | | |
| Business Term | DE | EDIFACT | Format | St | * | Description |
| | 8051 | Transport stage code qualifier | an..3 | M | | 10 Pre-carriage transport 20 Main-carriage transport 30 On-carriage transport |
| | 8028 | Means of transport journey identifier | an..17 | O | | Reference number covering the transport. |
| | C220 | Mode of transport | | A | | |
| | 8067 | Transport mode name code | an..3 | R | | |
| | C228 | Transport means | | O | | DE 8179 and DE 8178 are only used when the type of transport must be specifically identified, that is, a generic description such as road transport is unsuitable. |
| | 8179 | Transport means description code | an..8 | D | | 23 Rail bulk car 31 Truck |
| | 8178 | Transport means description | an..17 | D | | |
| | C040 | Carrier | | O | | |
| | 3127 | Carrier identifier | an..17 | A | | Global Location Number GLN - Format n13 |
| | 1131 | Code list identification code | an..17 | O | | |
| | 3055 | Code list responsible agency code | an..3 | D | | 9 GS1 |
| | 3128 | Carrier name | an..35 | O | | |
| | 8101 | Transit direction indicator code | an..3 | O | | BS Buyer to supplier SB Supplier to buyer |
| | C401 | Excess transportation information | | N | | |
| | 8457 | Excess transportation reason code | an..3 | | | |

Max. Occ. = Maximum Occurrence, St = Status, * = Restricted Codes

Status: M=Mandatory, R=Required, O=Optional, C=Conditional, D=Dependent, A=Advised, N=Not used

Segment Layout

| Business Term | DE | EDIFACT | Format | St | * | Description |
|---------------|------|--|--------|----|---|--|
| | C222 | Transport identification | | O | | |
| | 8213 | Transport means identification name identifier | an..9 | O | | DE 3055 must be used if DE 8213 is used. |
| | 1131 | Code list identification code | an..17 | O | | |
| | 3055 | Code list responsible agency code | an..3 | D | | |
| | 8212 | Transport means identification name | an..35 | R | | Vehicle licence plate/Aircraft number |
| | 8453 | Transport means nationality code | an..3 | O | | ISO 3166 two alpha code |

This segment is used to indicate the transport means, and where necessary, the carrier to be used for the current consignment. When used, it is mandatory to indicate the main carriage transport mode in this segment.

Example:

Example: TDT+1+X+100+1:X+X:23:9:X+BS++X:23:2:X:AD'

Example: TDT+20++30+31'

Max. Occ. = Maximum Occurrence, St = Status, * = Restricted Codes

Status: M=Mandatory, R=Required, O=Optional, C=Conditional, D=Dependent, A=Advised, N=Not used

Segment Layout

| No. Seg | St | Max. Occ. | | | | |
|--|------------|--|--|------------------|---|---|
| SG25 | C | 9999 | CNI-DTM-CNT-TSR-MOA-FTX-SG31-SG32-SG33-SG38-SG43-SG50-SG70 | | | |
| A segment group to give information about all consignments included in a voyage/flight or consolidation. | | | | | | |
| SG38 | C | 99 | TDT-DTM-SG39-SG40 | | | |
| A group of segments to indicate details of the movement of goods such as mode and means of transport, locations, departure, and arrival date(s) and time(s). | | | | | | |
| 45 | DTM | C | 9 | Date/time/period | | |
| To specify date, and/or time, or period. | | | | | | |
| Business Term | DE | EDIFACT | Format | St | * | Description |
| | C507 | Date/time/period | | M | | |
| | 2005 | Date or time or period function code qualifier | an..3 | M | | 133 Departure date/time, estimated 190 Transshipment date/time |
| | 2380 | Date or time or period value | an..35 | R | | |
| | 2379 | Date or time or period format code | an..3 | R | | 102 CCYYMMDD 203 CCYYMMDDHHMM |
| This segment is used to specify dates relating to the transport means. Example: Example: DTM+133:X:102' Example: DTM+133:200212151000:203' | | | | | | |

Max. Occ. = Maximum Occurrence, St = Status, * = Restricted Codes
Status: M=Mandatory, R=Required, O=Optional, C=Conditional, D=Dependent, A=Advised, N=Not used

Segment Layout

| No. Seg | St | Max. Occ. | |
|--|------------|-----------|--|
| SG25 | C | 9999 | CNI-DTM-CNT-TSR-MOA-FTX-SG31-SG32-SG33-SG38-SG43-SG50-SG70 |
| A segment group to give information about all consignments included in a voyage/flight or consolidation. | | | |
| SG38 | C | 99 | TDT-DTM-SG39-SG40 |
| A group of segments to indicate details of the movement of goods such as mode and means of transport, locations, departure, and arrival date(s) and time(s). | | | |
| SG39 | C | 99 | LOC-DTM |
| A group of segments to specify a location and date/time related to this leg of transport. | | | |
| 46 | LOC | M 1 | Place/location identification |
| To identify a place or a location and/or related locations. | | | |

| Business Term | DE | EDIFACT | Format | St | * | Description |
|---------------|------|-----------------------------------|--------|----|---|---|
| | 3227 | Location function code qualifier | an..3 | M | | 9 Place/port of loading 11 Place/port of discharge |
| | C517 | Location identification | | A | | |
| | 3225 | Location name code | an..25 | A | | GLN - Format n13 |
| | 1131 | Code list identification code | an..17 | O | | |
| | 3055 | Code list responsible agency code | an..3 | D | | 9 GS1 DE 3055 must be used if DE 3225 is used and does not contain an UN/LOCODE. |
| | 3224 | Location name | an..25 | O | | |

This segment is used to identify locations relating to the transport details for the current consignment.

Example:

Example: LOC+1+X:23:9:X'

Example: LOC+9+5412345678908::9'

Max. Occ. = Maximum Occurrence, St = Status, * = Restricted Codes

Status: M=Mandatory, R=Required, O=Optional, C=Conditional, D=Dependent, A=Advised, N=Not used

Segment Layout

| No. Seg | St | Max. Occ. | | | | |
|--|------------|--|--|------------------|---|---|
| SG25 | C | 9999 | CNI-DTM-CNT-TSR-MOA-FTX-SG31-SG32-SG33-SG38-SG43-SG50-SG70 | | | |
| A segment group to give information about all consignments included in a voyage/flight or consolidation. | | | | | | |
| SG38 | C | 99 | TDT-DTM-SG39-SG40 | | | |
| A group of segments to indicate details of the movement of goods such as mode and means of transport, locations, departure, and arrival date(s) and time(s). | | | | | | |
| SG39 | C | 99 | LOC-DTM | | | |
| A group of segments to specify a location and date/time related to this leg of transport. | | | | | | |
| 47 | DTM | C | 9 | Date/time/period | | |
| To specify date, and/or time, or period. | | | | | | |
| Business Term | DE | EDIFACT | Format | St | * | Description |
| | C507 | Date/time/period | | M | | |
| | 2005 | Date or time or period function code qualifier | an..3 | M | | 133 Departure date/time, estimated 136 Departure date/time |
| | 2380 | Date or time or period value | an..35 | R | | |
| | 2379 | Date or time or period format code | an..3 | R | | 102 CCYYMMDD 203 CCYYMMDDHHMM |
| This segment is used to specify any dates related to the location identified for a specific stage of transport. Example: Example: DTM+2:X:2' Example: DTM+133:20021210:102' | | | | | | |

Max. Occ. = Maximum Occurrence, St = Status, * = Restricted Codes
Status: M=Mandatory, R=Required, O=Optional, C=Conditional, D=Dependent, A=Advised, N=Not used

Segment Layout

| No. Seg | St | Max. Occ. | | | | |
|--|------------|--------------------------|--|-----------|---|---|
| SG25 | C | 9999 | CNI-DTM-CNT-TSR-MOA-FTX-SG31-SG32-SG33-SG38-SG43-SG50-SG70 | | | |
| A segment group to give information about all consignments included in a voyage/flight or consolidation. | | | | | | |
| SG38 | C | 99 | TDT-DTM-SG39-SG40 | | | |
| A group of segments to indicate details of the movement of goods such as mode and means of transport, locations, departure, and arrival date(s) and time(s). | | | | | | |
| SG40 | C | 9 | RFF-DTM | | | |
| A group of segments to specify an additional reference related to the stage of the transport. | | | | | | |
| 48 | RFF | M | 1 | Reference | | |
| To specify a reference. | | | | | | |
| Business Term | DE | EDIFACT | Format | St | * | Description |
| | C506 | Reference | | M | | |
| | 1153 | Reference code qualifier | an..3 | M | | AWB Air waybill number BM Bill of lading number CMR Road consignment note number RCN Railway consignment note number |
| | 1154 | Reference identifier | an..70 | R | | |
| This segment is used to specify references related to the transport details for the current consignment. Example: Example: RFF+AWB:X' Example: RFF+AWB:2345362' | | | | | | |

Max. Occ. = Maximum Occurrence, St = Status, * = Restricted Codes
Status: M=Mandatory, R=Required, O=Optional, C=Conditional, D=Dependent, A=Advised, N=Not used

Segment Layout

| No. Seg | St | Max. Occ. | | | | |
|--|------------|--|--|------------------|---|---|
| SG25 | C | 9999 | CNI-DTM-CNT-TSR-MOA-FTX-SG31-SG32-SG33-SG38-SG43-SG50-SG70 | | | |
| A segment group to give information about all consignments included in a voyage/flight or consolidation. | | | | | | |
| SG38 | C | 99 | TDT-DTM-SG39-SG40 | | | |
| A group of segments to indicate details of the movement of goods such as mode and means of transport, locations, departure, and arrival date(s) and time(s). | | | | | | |
| SG40 | C | 9 | RFF-DTM | | | |
| A group of segments to specify an additional reference related to the stage of the transport. | | | | | | |
| 49 | DTM | C | 1 | Date/time/period | | |
| To specify date, and/or time, or period. | | | | | | |
| Business Term | DE | EDIFACT | Format | St | * | Description |
| | C507 | Date/time/period | | M | | |
| | 2005 | Date or time or period function code qualifier | an..3 | M | * | 171 Reference date/time |
| | 2380 | Date or time or period value | an..35 | R | | |
| | 2379 | Date or time or period format code | an..3 | R | | 102 CCYYMMDD 203 CCYYMMDDHHMM 718 CCYYMMDD-CCYYMMDD |
| This segment is used to specify any dates related to the previous RFF segment. Example: Example: DTM+171:X:2' Example: DTM+171:20021210:102' | | | | | | |

Max. Occ. = Maximum Occurrence, St = Status, * = Restricted Codes
Status: M=Mandatory, R=Required, O=Optional, C=Conditional, D=Dependent, A=Advised, N=Not used

Segment Layout

| No. Seg | St | Max. Occ. | | | | |
|---|------------|---|--|------------------|---|---|
| SG25 | C | 9999 | CNI-DTM-CNT-TSR-MOA-FTX-SG31-SG32-SG33-SG38-SG43-SG50-SG70 | | | |
| A segment group to give information about all consignments included in a voyage/flight or consolidation. | | | | | | |
| SG43 | C | 99 | NAD-LOC-MOA-SG44-SG45-SG47 | | | |
| A group of segments to identify a party, related references, locations contacts, required documents, and charges to be paid by the party. | | | | | | |
| 50 | NAD | M | 1 | Name and address | | |
| To specify the name/address and their related function, either by C082 only and/or unstructured by C058 or structured by C080 thru 3207. | | | | | | |
| Business Term | DE | EDIFACT | Format | St | * | Description |
| | 3035 | Party function code qualifier | an..3 | M | | CN Consignee DP Delivery party FP Freight/charges payer |
| | C082 | Party identification details | | A | | |
| | 3039 | Party identifier | an..35 | M | | |
| | 1131 | Code list identification code | an..17 | N | | |
| | 3055 | Code list responsible agency code | an..3 | R | | 9 GS1 |
| | C058 | Name and address | | C | | |
| | 3124 | Name and address description | an..35 | M | | |
| | 3124 | Name and address description | an..35 | O | | |
| | 3124 | Name and address description | an..35 | O | | |
| | 3124 | Name and address description | an..35 | O | | |
| | 3124 | Name and address description | an..35 | O | | |
| | C080 | Party name | | D | | |
| | 3036 | Party name | an..35 | M | | Party Name in clear text. |
| | 3036 | Party name | an..35 | O | | |
| | 3036 | Party name | an..35 | O | | |
| | 3036 | Party name | an..35 | O | | |
| | 3036 | Party name | an..35 | O | | |
| | 3045 | Party name format code | an..3 | O | | |
| | C059 | Street | | D | | |
| | 3042 | Street and number or post office box identifier | an..35 | M | | Building Name/Number and Street |
| | 3042 | Street and number or | an..35 | O | | Name and/or P.O. Box |

Max. Occ. = Maximum Occurrence, St = Status, * = Restricted Codes

Status: M=Mandatory, R=Required, O=Optional, C=Conditional, D=Dependent, A=Advised, N=Not used

Segment Layout

| Business Term | DE | EDIFACT | Format | St | * | Description |
|---------------|------|---|--------|----|---|---------------------------|
| | | post office box identifier | | | | |
| | 3042 | Street and number or post office box identifier | an..35 | O | | |
| | 3042 | Street and number or post office box identifier | an..35 | O | | |
| | 3164 | City name | an..35 | D | | City/Town, clear text |
| | C819 | Country sub-entity details | | D | | |
| | 3229 | Country sub-entity name code | an..9 | O | | |
| | 1131 | Code list identification code | an..17 | O | | |
| | 3055 | Code list responsible agency code | an..3 | O | | |
| | 3228 | Country sub-entity name | an..70 | O | | County/State, clear text. |
| | 3251 | Postal identification code | an..17 | D | | Postal Code |
| | 3207 | Country name code | an..3 | D | | ISO 3166 two alpha code |

This segment is used to identify the consignee for the currently identified consignment.

Example:

Dependency Notes:

The following composites and data elements are only used when a coded name and address can not be used. The affected composites and data elements are as follows:

C080 - C059 - 3164 - C819 - 3251 - 3207

Example: NAD+CN+X::9+X:::X+X:X:X:X:1+X:X:X+X+X:23:2:X+X+AD'

Example: NAD+CN+5411234512309::9'

Max. Occ. = Maximum Occurrence, St = Status, * = Restricted Codes

Status: M=Mandatory, R=Required, O=Optional, C=Conditional, D=Dependent, A=Advised, N=Not used

Segment Layout

| No. Seg | St | Max. Occ. | | | | |
|---|------------|-----------------------------------|--|-------------------------------|---|---|
| SG25 | C | 9999 | CNI-DTM-CNT-TSR-MOA-FTX-SG31-SG32-SG33-SG38-SG43-SG50-SG70 | | | |
| A segment group to give information about all consignments included in a voyage/flight or consolidation. | | | | | | |
| SG43 | C | 99 | NAD-LOC-MOA-SG44-SG45-SG47 | | | |
| A group of segments to identify a party, related references, locations contacts, required documents, and charges to be paid by the party. | | | | | | |
| 51 | LOC | C | 9 | Place/location identification | | |
| To identify a place or a location and/or related locations. | | | | | | |
| Business Term | DE | EDIFACT | Format | St | * | Description |
| | 3227 | Location function code qualifier | an..3 | M | * | 7 Place of delivery 10 Place of acceptance |
| | C517 | Location identification | | A | | |
| | 3225 | Location name code | an..25 | A | | GLN - Format n13 |
| | 1131 | Code list identification code | an..17 | O | | |
| | 3055 | Code list responsible agency code | an..3 | D | | 9 GS1 DE 3055 must be used if DE 3225 is used and does not contain an UN/LOCODE. |
| | 3224 | Location name | an..25 | O | | |
| <p>This segment is used to identify any locations related to the party identified in the NAD segment. It is recommended to use Global Location Numbers GLN - Format n13 - for the identification of locations.</p> <p>Example:</p> <p>Example: LOC+7+X:23:9:X'</p> <p>Example: LOC+7+5412345678908: :9'</p> | | | | | | |

Max. Occ. = Maximum Occurrence, St = Status, * = Restricted Codes
 Status: M=Mandatory, R=Required, O=Optional, C=Conditional, D=Dependent, A=Advised, N=Not used

Segment Layout

| No. Seg | St | Max. Occ. | | | | |
|--|------------|-------------------------------------|--|-----------------|---|--|
| SG25 | C | 9999 | CNI-DTM-CNT-TSR-MOA-FTX-SG31-SG32-SG33-SG38-SG43-SG50-SG70 | | | |
| A segment group to give information about all consignments included in a voyage/flight or consolidation. | | | | | | |
| SG43 | C | 99 | NAD-LOC-MOA-SG44-SG45-SG47 | | | |
| A group of segments to identify a party, related references, locations contacts, required documents, and charges to be paid by the party. | | | | | | |
| 52 | MOA | C | 9 | Monetary amount | | |
| To specify a monetary amount. | | | | | | |
| Business Term | DE | EDIFACT | Format | St | * | Description |
| | C516 | Monetary amount | | M | | |
| | 5025 | Monetary amount type code qualifier | an..3 | M | | 22 Cash on delivery amount 50 Disbursements |
| | 5004 | Monetary amount | n..35 | R | | |
| | 6345 | Currency identification code | an..3 | O | | |
| This segment is used to indicate monetary amounts for the party receiving the goods. Example: Example: MOA+22:9:EUR ' Example: MOA+22:15000:EUR ' | | | | | | |

Max. Occ. = Maximum Occurrence, St = Status, * = Restricted Codes
Status: M=Mandatory, R=Required, O=Optional, C=Conditional, D=Dependent, A=Advised, N=Not used

Segment Layout

| No. Seg | St | Max. Occ. | |
|--|------------|----------------------------------|--|
| SG25 | C | 9999 | CNI-DTM-CNT-TSR-MOA-FTX-SG31-SG32-SG33-SG38-SG43-SG50-SG70 |
| A segment group to give information about all consignments included in a voyage/flight or consolidation. | | | |
| SG43 | C | 99 | NAD-LOC-MOA-SG44-SG45-SG47 |
| A group of segments to identify a party, related references, locations contacts, required documents, and charges to be paid by the party. | | | |
| SG44 | C | 9 | CTA-COM |
| A group of segments identifying a contact and its communications related to the party. | | | |
| 53 | CTA | M 1 | Contact information |
| To identify a person or a department to whom communication should be directed. | | | |
| Business Term | DE | EDIFACT | Format St * Description |
| | 3139 | Contact function code | an..3 R IC Information contact |
| | C056 | Department or employee details | O |
| | 3413 | Department or employee name code | an..17 O |
| | 3412 | Department or employee name | an..35 O |
| This segment is used to provide department and contact names within the party identified in the NAD segment. Example: Example: CTA+IC+X:X' Example: CTA+TR+:G REID' | | | |

Max. Occ. = Maximum Occurrence, St = Status, * = Restricted Codes
Status: M=Mandatory, R=Required, O=Optional, C=Conditional, D=Dependent, A=Advised, N=Not used

Segment Layout

| No. Seg | St | Max. Occ. | | | | |
|---|------------|--------------------------------------|--|-----------------------|---|--|
| SG25 | C | 9999 | CNI-DTM-CNT-TSR-MOA-FTX-SG31-SG32-SG33-SG38-SG43-SG50-SG70 | | | |
| A segment group to give information about all consignments included in a voyage/flight or consolidation. | | | | | | |
| SG43 | C | 99 | NAD-LOC-MOA-SG44-SG45-SG47 | | | |
| A group of segments to identify a party, related references, locations contacts, required documents, and charges to be paid by the party. | | | | | | |
| SG44 | C | 9 | CTA-COM | | | |
| A group of segments identifying a contact and its communications related to the party. | | | | | | |
| 54 | COM | C | 9 | Communication contact | | |
| To identify a communication number of a department or a person to whom communication should be directed. | | | | | | |
| Business Term | DE | EDIFACT | Format | St | * | Description |
| | C076 | Communication contact | | M | | |
| | 3148 | Communication address identifier | an..51 | M | | |
| | 3155 | Communication address code qualifier | an..3 | M | | AO Uniform Resource Location (URL) EM Electronic mail TE Telephone |
| This segment identifies the communications number and type of communications for the person or department identified in the previous CTA segment. | | | | | | |
| Example: | | | | | | |
| Example: COM+X:EM' | | | | | | |
| Example: COM+0033148759632:FX' | | | | | | |

Max. Occ. = Maximum Occurrence, St = Status, * = Restricted Codes

Status: M=Mandatory, R=Required, O=Optional, C=Conditional, D=Dependent, A=Advised, N=Not used

Segment Layout

| No. Seg | St | Max. Occ. | |
|---|------------|-----------|--|
| SG25 | C | 9999 | CNI-DTM-CNT-TSR-MOA-FTX-SG31-SG32-SG33-SG38-SG43-SG50-SG70 |
| A segment group to give information about all consignments included in a voyage/flight or consolidation. | | | |
| SG43 | C | 99 | NAD-LOC-MOA-SG44-SG45-SG47 |
| A group of segments to identify a party, related references, locations contacts, required documents, and charges to be paid by the party. | | | |
| SG45 | C | 9 | DOC-DTM |
| A group of segments to identify required documents. | | | |
| 55 | DOC | M 1 | Document/message details |
| To identify documents and details directly related to it. | | | |

| Business Term | DE | EDIFACT | Format | St | * | Description |
|---------------|------|--------------------------------------|--------|----|---|--|
| | C002 | Document/message name | | M | | |
| | 1001 | Document name code | an..3 | R | | 811 Export licence 911 Import licence |
| | 1131 | Code list identification code | an..17 | O | | |
| | 3055 | Code list responsible agency code | an..3 | D | | |
| | C503 | Document/message details | | O | | |
| | 1004 | Document identifier | an..35 | R | | |
| | 1373 | Document status code | an..3 | N | | |
| | 1366 | Document source description | an..70 | O | | |
| | 3453 | Language name code | an..3 | O | | ISO 639 two alpha |
| | 3153 | Communication medium type code | an..3 | N | | |
| | 1220 | Document copies required quantity | n..2 | O | | |
| | 1218 | Document originals required quantity | n..2 | O | | |

This segment is used to identify any documentation which is required by the party identified in the NAD segment.

Example:

Example: DOC+811:23:2+X::X:AA++9+9'

Example: DOC+811+1253D'

Max. Occ. = Maximum Occurrence, St = Status, * = Restricted Codes

Status: M=Mandatory, R=Required, O=Optional, C=Conditional, D=Dependent, A=Advised, N=Not used

Segment Layout

| No. Seg | St | Max. Occ. | | | | |
|---|------------|--|--|------------------|---|--|
| SG25 | C | 9999 | CNI-DTM-CNT-TSR-MOA-FTX-SG31-SG32-SG33-SG38-SG43-SG50-SG70 | | | |
| A segment group to give information about all consignments included in a voyage/flight or consolidation. | | | | | | |
| SG43 | C | 99 | NAD-LOC-MOA-SG44-SG45-SG47 | | | |
| A group of segments to identify a party, related references, locations contacts, required documents, and charges to be paid by the party. | | | | | | |
| SG45 | C | 9 | DOC-DTM | | | |
| A group of segments to identify required documents. | | | | | | |
| 56 | DTM | C | 1 | Date/time/period | | |
| To specify date, and/or time, or period. | | | | | | |
| Business Term | DE | EDIFACT | Format | St | * | Description |
| | C507 | Date/time/period | | M | | |
| | 2005 | Date or time or period function code qualifier | an..3 | M | * | 7 Effective date/time 36 Expiry date 137 Document/message date/time 273 Validity period |
| | 2380 | Date or time or period value | an..35 | R | | |
| | 2379 | Date or time or period format code | an..3 | R | | 102 CCYYMMDD 203 CCYYMMDDHHMM 718 CCYYMMDD-CCYYMMDD |
| This segment is used to specify any dates related to the previous DOC segment. Example: Example: DTM+7:X:102' Example: DTM+137:19931210:102' | | | | | | |

Max. Occ. = Maximum Occurrence, St = Status, * = Restricted Codes
Status: M=Mandatory, R=Required, O=Optional, C=Conditional, D=Dependent, A=Advised, N=Not used

Segment Layout

| No. Seg | St | Max. Occ. | | | | |
|--|------------|--------------------------|--|----|---|--------------------|
| SG25 | C | 9999 | CNI-DTM-CNT-TSR-MOA-FTX-SG31-SG32-SG33-SG38-SG43-SG50-SG70 | | | |
| A segment group to give information about all consignments included in a voyage/flight or consolidation. | | | | | | |
| SG43 | C | 99 | NAD-LOC-MOA-SG44-SG45-SG47 | | | |
| A group of segments to identify a party, related references, locations contacts, required documents, and charges to be paid by the party. | | | | | | |
| SG47 | C | 9 | RFF | | | |
| A group of segments to specify a reference related to the party. | | | | | | |
| 57 | RFF | M 1 | Reference | | | |
| To specify a reference. | | | | | | |
| Business Term | DE | EDIFACT | Format | St | * | Description |
| | C506 | Reference | | M | | |
| | 1153 | Reference code qualifier | an..3 | M | | CT Contract number |
| | 1154 | Reference identifier | an..70 | R | | |
| This segment is used to identify any references related to the party identified in the NAD segment which are required but do not accompany the consignment, e.g., contract numbers. Example: Example: RFF+CT:X' Example: RFF+CT:6532' | | | | | | |

Max. Occ. = Maximum Occurrence, St = Status, * = Restricted Codes
 Status: M=Mandatory, R=Required, O=Optional, C=Conditional, D=Dependent, A=Advised, N=Not used

Segment Layout

| No. Seg | St | Max. Occ. | | | | |
|--|------------|-----------------------------------|---|--------------------|---|--|
| SG25 | C | 9999 | CNI-DTM-CNT-TSR-MOA-FTX-SG31-SG32-SG33-SG38-SG43-SG50-SG70 | | | |
| A segment group to give information about all consignments included in a voyage/flight or consolidation. | | | | | | |
| SG50 | C | 999 | GID-HAN-TMP-RNG-MOA-PIA-FTX-SG51-GDS-SG52-SG53-SG54-SG55-SG56-SG61-SG65 | | | |
| A group of segments to describe the goods items for which transport is undertaken. | | | | | | |
| 58 | GID | M | 1 | Goods item details | | |
| To indicate totals of a goods item. | | | | | | |
| Business Term | DE | EDIFACT | Format | St | * | Description |
| | 1496 | Goods item number | n..5 | R | | Application number identifying the goods item within the current consignment. |
| | C213 | Number and type of packages | | R | | |
| | 7224 | Package quantity | n..8 | R | | |
| | 7065 | Package type description code | an..17 | O | | 09 Returnable pallet (GS1 Temporary Code) 201 Pallet ISO 1 - 1/1 EURO Pallet (GS1 Temporary Code) |
| | 1131 | Code list identification code | an..17 | N | | |
| | 3055 | Code list responsible agency code | an..3 | D | * | 9 GS1 |
| | C213 | Number and type of packages | | O | | |
| | 7224 | Package quantity | n..8 | O | | |
| | 7065 | Package type description code | an..17 | O | | 09 Returnable pallet (GS1 Temporary Code) 201 Pallet ISO 1 - 1/1 EURO Pallet (GS1 Temporary Code) |
| | 1131 | Code list identification code | an..17 | N | | |
| | 3055 | Code list responsible agency code | an..3 | D | * | 9 GS1 |
| | C213 | Number and type of packages | | O | | |
| | 7224 | Package quantity | n..8 | O | | |
| | 7065 | Package type description code | an..17 | O | | 09 Returnable pallet (GS1 Temporary Code) 201 Pallet ISO 1 - 1/1 EURO Pallet (GS1 Temporary Code) |

Max. Occ. = Maximum Occurrence, St = Status, * = Restricted Codes
 Status: M=Mandatory, R=Required, O=Optional, C=Conditional, D=Dependent, A=Advised, N=Not used

Segment Layout

| Business Term | DE | EDIFACT | Format | St | * | Description |
|---------------|------|-----------------------------------|--------|----|---|--|
| | 1131 | Code list identification code | an..17 | N | | |
| | 3055 | Code list responsible agency code | an..3 | D | * | 9 GS1 |
| | C213 | Number and type of packages | | O | | |
| | 7224 | Package quantity | n..8 | O | | |
| | 7065 | Package type description code | an..17 | O | | 09 Returnable pallet (GS1 Temporary Code) 201 Pallet ISO 1 - 1/1 EURO Pallet (GS1 Temporary Code) |
| | 1131 | Code list identification code | an..17 | N | | |
| | 3055 | Code list responsible agency code | an..3 | D | * | 9 GS1 |
| | C213 | Number and type of packages | | O | | |
| | 7224 | Package quantity | n..8 | O | | |
| | 7065 | Package type description code | an..17 | O | | 09 Returnable pallet (GS1 Temporary Code) 201 Pallet ISO 1 - 1/1 EURO Pallet (GS1 Temporary Code) |
| | 1131 | Code list identification code | an..17 | N | | |
| | 3055 | Code list responsible agency code | an..3 | D | * | 9 GS1 |

This segment is used to specify the number and type of packages which make up a goods item in the current consignment.

Within the GID segment it is possible to identify up to 3 levels of packaging hierarchy for the transport goods item. Despatch units are identified in the first occurrence of C213.

Example:

(The top level is 1 returnable pallet containing a second level of 6 cartons.)

Dependency note:

DE 3055: This data element is only used with the code value '9' if an GS1 code is used in data element 7065.

Example: GID+9+9:CT::9+9:CT::9+9:CT::9+9:08::9+9:08::9'

Example: GID+1+1:09::9+6:CT'

Max. Occ. = Maximum Occurrence, St = Status, * = Restricted Codes

Status: M=Mandatory, R=Required, O=Optional, C=Conditional, D=Dependent, A=Advised, N=Not used

Segment Layout

| No. Seg | St | Max. Occ. | | | | |
|--|------------|---------------------------------------|---|-----------------------|---|---|
| SG25 | C | 9999 | CNI-DTM-CNT-TSR-MOA-FTX-SG31-SG32-SG33-SG38-SG43-SG50-SG70 | | | |
| A segment group to give information about all consignments included in a voyage/flight or consolidation. | | | | | | |
| SG50 | C | 999 | GID-HAN-TMP-RNG-MOA-PIA-FTX-SG51-GDS-SG52-SG53-SG54-SG55-SG56-SG61-SG65 | | | |
| A group of segments to describe the goods items for which transport is undertaken. | | | | | | |
| 59 | HAN | C | 1 | Handling instructions | | |
| To specify handling and where necessary, notify hazards. | | | | | | |
| Business Term | DE | EDIFACT | Format | St | * | Description |
| | C524 | Handling instructions | | O | | |
| | 4079 | Handling instruction description code | an..3 | R | | BIG Outsized (GS1 Temporary Code) CRU Crushable (GS1 Temporary Code) EAT Foodstuffs (GS1 Temporary Code) HWC Handle with care (GS1 Temporary Code) STR Stacking restricted (GS1 Temporary Code) UST Unstackable (GS1 Temporary Code) |
| | 1131 | Code list identification code | an..17 | A | | |
| | 3055 | Code list responsible agency code | an..3 | D | * | 9 GS1 60 Assigned by national trade agency DE 3055 must be used if DE 4079 is used and does not contain an EDIFACT code. |
| | 4078 | Handling instruction description | an..70 | O | | |
| | C218 | Hazardous material | | O | | The identification of hazardous materials is carried out using the DGS and FTX segments in the CNI level. |
| | 7419 | Hazardous material category name code | an..7 | D | | |
| | 1131 | Code list identification code | an..17 | O | | ADR Accord Europeen au transport international dangereuses (GS1 Temporary Code) HMT Hazardous material standard text (GS1 |

Max. Occ. = Maximum Occurrence, St = Status, * = Restricted Codes

Status: M=Mandatory, R=Required, O=Optional, C=Conditional, D=Dependent, A=Advised, N=Not used

Segment Layout

| Business Term | DE | EDIFACT | Format | St | * | Description |
|---|------|-----------------------------------|--------|----|---|-----------------|
| | | | | | | Temporary Code) |
| | 3055 | Code list responsible agency code | an..3 | D | * | 9 GS1 |
| | 7418 | Hazardous material category name | an..35 | O | | |
| <p>This segment is used to provide a handling instruction relevant to the transport line item identified in the GID segment. Example: Example: HAN+BIG:23:9:X+X:ADR:9:X' Example: HAN+EAT:::9'</p> | | | | | | |

Max. Occ. = Maximum Occurrence, St = Status, * = Restricted Codes

Status: M=Mandatory, R=Required, O=Optional, C=Conditional, D=Dependent, A=Advised, N=Not used

Segment Layout

| No. Seg | St | Max. Occ. | | | | |
|---|------------|---------------------------------|---|-------------|---|--|
| SG25 | C | 9999 | CNI-DTM-CNT-TSR-MOA-FTX-SG31-SG32-SG33-SG38-SG43-SG50-SG70 | | | |
| A segment group to give information about all consignments included in a voyage/flight or consolidation. | | | | | | |
| SG50 | C | 999 | GID-HAN-TMP-RNG-MOA-PIA-FTX-SG51-GDS-SG52-SG53-SG54-SG55-SG56-SG61-SG65 | | | |
| A group of segments to describe the goods items for which transport is undertaken. | | | | | | |
| 60 | TMP | C | 1 | Temperature | | |
| To specify the temperature setting. | | | | | | |
| Business Term | DE | EDIFACT | Format | St | * | Description |
| | 6245 | Temperature type code qualifier | an..3 | M | | 1 Storage temperature 2 Transport temperature |
| | C239 | Temperature setting | | A | | |
| | 6246 | Temperature value | n..15 | R | | |
| | 6411 | Measurement unit code | an..3 | R | | |
| This segment is used to specify a temperature setting related to the current goods item. Example: Example: TMP+1+999:CEL ' Example: TMP+1+40:CEL ' | | | | | | |

Max. Occ. = Maximum Occurrence, St = Status, * = Restricted Codes
Status: M=Mandatory, R=Required, O=Optional, C=Conditional, D=Dependent, A=Advised, N=Not used

Segment Layout

| No. Seg | St | Max. Occ. | | | | |
|---|------|------------------------------|---|----|---|--------------------------------|
| SG25 | C | 9999 | CNI-DTM-CNT-TSR-MOA-FTX-SG31-SG32-SG33-SG38-SG43-SG50-SG70 | | | |
| A segment group to give information about all consignments included in a voyage/flight or consolidation. | | | | | | |
| SG50 | C | 999 | GID-HAN-TMP-RNG-MOA-PIA-FTX-SG51-GDS-SG52-SG53-SG54-SG55-SG56-SG61-SG65 | | | |
| A group of segments to describe the goods items for which transport is undertaken. | | | | | | |
| 61 RNG | C | 1 | Range details | | | |
| To identify a range. | | | | | | |
| Business Term | DE | EDIFACT | Format | St | * | Description |
| | 6167 | Range type code qualifier | an..3 | M | * | 5 Temperature range |
| | C280 | Range | | R | | |
| | 6411 | Measurement unit code | an..3 | M | | |
| | 6162 | Range minimum value | n..18 | O | | |
| | 6152 | Range maximum value | n..18 | O | | |
| This segment is used to specify a temperature range for the current goods item. Example: Example: RNG+5+CEL:9:9' Example: RNG+5+CEL:40:45' | | | | | | |

Max. Occ. = Maximum Occurrence, St = Status, * = Restricted Codes
Status: M=Mandatory, R=Required, O=Optional, C=Conditional, D=Dependent, A=Advised, N=Not used

Segment Layout

| No. | Seg | St | Max. Occ. | | | |
|--|--|-------------------------------------|-----------|---|---|---|
| | SG25 | C | 9999 | CNI-DTM-CNT-TSR-MOA-FTX-SG31-SG32-SG33-SG38-SG43-SG50-SG70 | | |
| | A segment group to give information about all consignments included in a voyage/flight or consolidation. | | | | | |
| | SG50 | C | 999 | GID-HAN-TMP-RNG-MOA-PIA-FTX-SG51-GDS-SG52-SG53-SG54-SG55-SG56-SG61-SG65 | | |
| | A group of segments to describe the goods items for which transport is undertaken. | | | | | |
| 62 | MOA | C | 9 | Monetary amount | | |
| | To specify a monetary amount. | | | | | |
| Business Term | DE | EDIFACT | Format | St | * | Description |
| | C516 | Monetary amount | | M | | |
| | 5025 | Monetary amount type code qualifier | an..3 | M | | 40 Customs value 44 Declared value for carriage 157 Insurance value |
| | 5004 | Monetary amount | n..35 | R | | |
| | 6345 | Currency identification code | an..3 | O | | ISO 4217 three alpha |
| <p>This segment is used to specify the value of the current goods item for customs, insurance or other valuation purposes. Example: Example: MOA+40:9:EUR ' Example: MOA+40:45300:EUR '</p> | | | | | | |

Max. Occ. = Maximum Occurrence, St = Status, * = Restricted Codes
 Status: M=Mandatory, R=Required, O=Optional, C=Conditional, D=Dependent, A=Advised, N=Not used

Segment Layout

| No. Seg | St | Max. Occ. | | | | |
|--|------------|-----------------------------------|---|-----------------------|---|---|
| SG25 | C | 9999 | CNI-DTM-CNT-TSR-MOA-FTX-SG31-SG32-SG33-SG38-SG43-SG50-SG70 | | | |
| A segment group to give information about all consignments included in a voyage/flight or consolidation. | | | | | | |
| SG50 | C | 999 | GID-HAN-TMP-RNG-MOA-PIA-FTX-SG51-GDS-SG52-SG53-SG54-SG55-SG56-SG61-SG65 | | | |
| A group of segments to describe the goods items for which transport is undertaken. | | | | | | |
| 63 | PIA | C | 9 | Additional product id | | |
| To specify additional or substitutional item identification codes. | | | | | | |
| Business Term | DE | EDIFACT | Format | St | * | Description |
| | 4347 | Product identifier code qualifier | an..3 | M | * | 1 Additional identification 5 Product identification |
| | C212 | Item number identification | | M | | |
| | 7140 | Item identifier | an..35 | R | | |
| | 7143 | Item type identification code | an..3 | R | | HS Harmonised system SRV GS1 Global Trade Item Number |
| | 1131 | Code list identification code | an..17 | O | | |
| | 3055 | Code list responsible agency code | an..3 | D | | 9 GS1 89 Assigned by distributor 91 Assigned by supplier or supplier's agent 92 Assigned by buyer or buyer's agent |
| | C212 | Item number identification | | O | | |
| | 7140 | Item identifier | an..35 | R | | |
| | 7143 | Item type identification code | an..3 | R | | |
| | 1131 | Code list identification code | an..17 | O | | |
| | 3055 | Code list responsible agency code | an..3 | D | | |
| | C212 | Item number identification | | O | | |
| | 7140 | Item identifier | an..35 | R | | |
| | 7143 | Item type identification code | an..3 | R | | |
| | 1131 | Code list identification code | an..17 | O | | |
| | 3055 | Code list responsible agency code | an..3 | D | | |
| | | Item number | | | | |

Max. Occ. = Maximum Occurrence, St = Status, * = Restricted Codes

Status: M=Mandatory, R=Required, O=Optional, C=Conditional, D=Dependent, A=Advised, N=Not used

Segment Layout

| Business Term | DE | EDIFACT | Format | St | * | Description |
|--|------|-----------------------------------|--------|----|---|-------------|
| | C212 | identification | | O | | |
| | 7140 | Item identifier | an..35 | R | | |
| | 7143 | Item type identification code | an..3 | R | | |
| | 1131 | Code list identification code | an..17 | O | | |
| | 3055 | Code list responsible agency code | an..3 | D | | |
| | C212 | Item number identification | | O | | |
| | 7140 | Item identifier | an..35 | R | | |
| | 7143 | Item type identification code | an..3 | R | | |
| | 1131 | Code list identification code | an..17 | O | | |
| | 3055 | Code list responsible agency code | an..3 | D | | |
| <p>This segment is used to specify additional product identification codes for the current goods item. Example:</p> <p>Example: PIA+1+X:HS:23:9+X:AA:23:2+X:AA:23:2+X:AA:23:2+X:AA:23:2 '</p> <p>Example: PIA+1+HS003211:HS '</p> | | | | | | |

Max. Occ. = Maximum Occurrence, St = Status, * = Restricted Codes

Status: M=Mandatory, R=Required, O=Optional, C=Conditional, D=Dependent, A=Advised, N=Not used

Segment Layout

| No. Seg | St | Max. Occ. | | | | |
|---|------------|-----------------------------------|---|-----------|---|---|
| SG25 | C | 9999 | CNI-DTM-CNT-TSR-MOA-FTX-SG31-SG32-SG33-SG38-SG43-SG50-SG70 | | | |
| A segment group to give information about all consignments included in a voyage/flight or consolidation. | | | | | | |
| SG50 | C | 999 | GID-HAN-TMP-RNG-MOA-PIA-FTX-SG51-GDS-SG52-SG53-SG54-SG55-SG56-SG61-SG65 | | | |
| A group of segments to describe the goods items for which transport is undertaken. | | | | | | |
| 64 | FTX | C | 9 | Free text | | |
| To provide free form or coded text information. | | | | | | |
| Business Term | DE | EDIFACT | Format | St | * | Description |
| | 4451 | Text subject code qualifier | an..3 | M | | AAA Goods description AAI General information |
| | 4453 | Free text function code | an..3 | O | | 1 Text for subsequent use |
| | C107 | Text reference | | D | | This composite is only used when trading partners have agreed to use mutually defined code values. |
| | 4441 | Free text value code | an..17 | M | | |
| | 1131 | Code list identification code | an..17 | O | | |
| | 3055 | Code list responsible agency code | an..3 | D | | 9 GS1 91 Assigned by supplier or supplier's agent 92 Assigned by buyer or buyer's agent |
| | C108 | Text literal | | D | | This composite is only used if coded text can not be used. |
| | 4440 | Free text value | an..51 | M | | |
| | 4440 | Free text value | an..51 | O | | |
| | 4440 | Free text value | an..51 | O | | |
| | 4440 | Free text value | an..51 | O | | |
| | 4440 | Free text value | an..51 | O | | |
| | 3453 | Language name code | an..3 | D | | ISO 639 two alpha code This data element is only used when non coded free text has been provided in data element C108. |
| <p>This segment is used to provide free form or coded text information related to the goods item. Use of this segment in free form is not recommended since it may inhibit automatic processing of the Forwarding and Consolidation Summary. Coded references to standard texts is an available functionality which enables automatic processing and reduces transmission overheads. Standard texts should be mutually defined between trading partners and can be used to cover legal or other requirements.</p> | | | | | | |

Max. Occ. = Maximum Occurrence, St = Status, * = Restricted Codes

Status: M=Mandatory, R=Required, O=Optional, C=Conditional, D=Dependent, A=Advised, N=Not used

Segment Layout

Example:

Example: FTX+AAA+1+1E:23:9+X:X:X:X+AA'

Example: FTX+AAA+++SPARE PARTS COMPUTER MB'

Max. Occ. = Maximum Occurrence, St = Status, * = Restricted Codes

Status: M=Mandatory, R=Required, O=Optional, C=Conditional, D=Dependent, A=Advised, N=Not used

Segment Layout

| No. Seg | St | Max. Occ. | | | | |
|--|------------|-----------------------------------|---|----|---|---|
| SG25 | C | 9999 | CNI-DTM-CNT-TSR-MOA-FTX-SG31-SG32-SG33-SG38-SG43-SG50-SG70 | | | |
| A segment group to give information about all consignments included in a voyage/flight or consolidation. | | | | | | |
| SG50 | C | 999 | GID-HAN-TMP-RNG-MOA-PIA-FTX-SG51-GDS-SG52-SG53-SG54-SG55-SG56-SG61-SG65 | | | |
| A group of segments to describe the goods items for which transport is undertaken. | | | | | | |
| SG51 | C | 9 | NAD-DTM | | | |
| A group of segments to identify different places of collection and/or delivery for the goods item. | | | | | | |
| 65 | NAD | M 1 | Name and address | | | |
| To specify the name/address and their related function, either by C082 only and/or unstructured by C058 or structured by C080 thru 3207. | | | | | | |
| Business Term | DE | EDIFACT | Format | St | * | Description |
| | 3035 | Party function code qualifier | an..3 | M | * | DP Delivery party PW Despatch party SU Supplier |
| | C082 | Party identification details | | A | | |
| | 3039 | Party identifier | an..35 | M | | |
| | 1131 | Code list identification code | an..17 | N | | |
| | 3055 | Code list responsible agency code | an..3 | R | * | 9 GS1 |
| | C058 | Name and address | | O | | This composite may only be used to fulfill the requirements of directive 2003/58/EC, article 4. |
| | 3124 | Name and address description | an..35 | M | | |
| | 3124 | Name and address description | an..35 | O | | |
| | 3124 | Name and address description | an..35 | O | | |
| | 3124 | Name and address description | an..35 | O | | |
| | 3124 | Name and address description | an..35 | O | | |
| | C080 | Party name | | D | | |
| | 3036 | Party name | an..35 | M | | Party Name in clear text. |
| | 3036 | Party name | an..35 | O | | |
| | 3036 | Party name | an..35 | O | | |
| | 3036 | Party name | an..35 | O | | |
| | 3036 | Party name | an..35 | O | | |
| | 3045 | Party name format | an..3 | O | | |

Max. Occ. = Maximum Occurrence, St = Status, * = Restricted Codes

Status: M=Mandatory, R=Required, O=Optional, C=Conditional, D=Dependent, A=Advised, N=Not used

Segment Layout

| Business Term | DE | EDIFACT | Format | St | * | Description |
|---------------|------|---|--------|----|---|---------------------------------|
| | | code | | | | |
| | C059 | Street | | D | | |
| | 3042 | Street and number or post office box identifier | an..35 | M | | Building Name/Number and Street |
| | 3042 | Street and number or post office box identifier | an..35 | O | | Name and/or P.O. Box |
| | 3042 | Street and number or post office box identifier | an..35 | O | | |
| | 3042 | Street and number or post office box identifier | an..35 | O | | |
| | 3164 | City name | an..35 | D | | City/Town, clear text. |
| | C819 | Country sub-entity details | | D | | |
| | 3229 | Country sub-entity name code | an..9 | O | | |
| | 1131 | Code list identification code | an..17 | O | | |
| | 3055 | Code list responsible agency code | an..3 | O | | |
| | 3228 | Country sub-entity name | an..70 | O | | County/State, clear text. |
| | 3251 | Postal identification code | an..17 | D | | Postal Code |
| | 3207 | Country name code | an..3 | D | | ISO 3166 two alpha code |

This segment is used to specify the delivery and despatch parties for the current goods item. Only two repeats of this segment are allowed per goods item.

Example:

Dependency Notes:

The following composites and data elements are only used when a coded name and address can not be used. The affected composites and data elements are as follows:

C080 - C059 - 3164 - C819 - 3251 - 3207

Example: NAD+DP+X::9+X:::X+X:X:X:X:1+X:X:X+X+X:23:2:X+X+AD'

Example: NAD+PW+5411234512309::9'

Example: NAD+DP+5412345123453::9'

Max. Occ. = Maximum Occurrence, St = Status, * = Restricted Codes

Status: M=Mandatory, R=Required, O=Optional, C=Conditional, D=Dependent, A=Advised, N=Not used

Segment Layout

| No. Seg | St | Max. Occ. | |
|--|------------|-----------|---|
| SG25 | C | 9999 | CNI-DTM-CNT-TSR-MOA-FTX-SG31-SG32-SG33-SG38-SG43-SG50-SG70 |
| A segment group to give information about all consignments included in a voyage/flight or consolidation. | | | |
| SG50 | C | 999 | GID-HAN-TMP-RNG-MOA-PIA-FTX-SG51-GDS-SG52-SG53-SG54-SG55-SG56-SG61-SG65 |
| A group of segments to describe the goods items for which transport is undertaken. | | | |
| SG51 | C | 9 | NAD-DTM |
| A group of segments to identify different places of collection and/or delivery for the goods item. | | | |
| 66 | DTM | C 1 | Date/time/period To specify date, and/or time, or period. |

| Business Term | DE | EDIFACT | Format | St | * | Description |
|---------------|------|--|--------|----|---|--|
| | C507 | Date/time/period | | M | | |
| | 2005 | Date or time or period function code qualifier | an..3 | M | * | 2 Delivery date/time, requested 10 Shipment date/time, requested 63 Delivery date/time, latest 64 Delivery date/time, earliest 191 Delivery date/time, expected 200 Pick-up/collection date/time of cargo |
| | 2380 | Date or time or period value | an..35 | R | | |
| | 2379 | Date or time or period format code | an..3 | R | | 102 CCYYMMDD 203 CCYYMMDDHHMM 718 CCYYMMDD-CCYYMMDD |

This segment is used to specify dates and times related to the despatch or delivery parties specified in the previous NAD segment.

Example:

Example: DTM+2:X:102'

Example: DTM+191:19960120:102'

Max. Occ. = Maximum Occurrence, St = Status, * = Restricted Codes

Status: M=Mandatory, R=Required, O=Optional, C=Conditional, D=Dependent, A=Advised, N=Not used

Segment Layout

| No. Seg | St | Max. Occ. | | | | |
|---|------------|-----------------------------------|---|-----------------|---|--|
| SG25 | C | 9999 | CNI-DTM-CNT-TSR-MOA-FTX-SG31-SG32-SG33-SG38-SG43-SG50-SG70 | | | |
| A segment group to give information about all consignments included in a voyage/flight or consolidation. | | | | | | |
| SG50 | C | 999 | GID-HAN-TMP-RNG-MOA-PIA-FTX-SG51-GDS-SG52-SG53-SG54-SG55-SG56-SG61-SG65 | | | |
| A group of segments to describe the goods items for which transport is undertaken. | | | | | | |
| 67 | GDS | C | 9 | Nature of cargo | | |
| To indicate the type of cargo as a general classification. | | | | | | |
| Business Term | DE | EDIFACT | Format | St | * | Description |
| | C703 | Nature of cargo | | R | | |
| | 7085 | Cargo type classification code | an..3 | M | | 11 Hazardous cargo 12 General cargo |
| | 1131 | Code list identification code | an..17 | O | | |
| | 3055 | Code list responsible agency code | an..3 | D | | |
| This segment is used to specify the exact nature of the goods. Example: Example: GDS+11:23:2' Example: GDS+11' | | | | | | |

Max. Occ. = Maximum Occurrence, St = Status, * = Restricted Codes
Status: M=Mandatory, R=Required, O=Optional, C=Conditional, D=Dependent, A=Advised, N=Not used

Segment Layout

| No. Seg | St | Max. Occ. | | | |
|--|------------|------------------------------------|---|----|--|
| SG25 | C | 9999 | CNI-DTM-CNT-TSR-MOA-FTX-SG31-SG32-SG33-SG38-SG43-SG50-SG70 | | |
| A segment group to give information about all consignments included in a voyage/flight or consolidation. | | | | | |
| SG50 | C | 999 | GID-HAN-TMP-RNG-MOA-PIA-FTX-SG51-GDS-SG52-SG53-SG54-SG55-SG56-SG61-SG65 | | |
| A group of segments to describe the goods items for which transport is undertaken. | | | | | |
| SG52 | C | 99 | MEA-EQN | | |
| A group of segments to specify measurements applicable to a goods item. | | | | | |
| 68 | MEA | M 1 | Measurements | | |
| To specify physical measurements, including dimension tolerances, weights and counts. | | | | | |
| Business Term | DE | EDIFACT | Format | St | * Description |
| | 6311 | Measurement purpose code qualifier | an..3 | M | AAE Measurement LMT Loading metre |
| | C502 | Measurement details | | A | |
| | 6313 | Measured attribute code | an..3 | A | AAB Unit gross weight AAW Gross volume G Gross weight AFF Gross measure cube LN Length dimension NPP Number of pallet places (GS1 Temporary Code) PMC Package net measurement cube (GS1 Temporary Code) T Tare weight |
| | 6321 | Measurement significance code | an..3 | O | 3 Approximately 4 Equal to |
| | C174 | Value/range | | R | |
| | 6411 | Measurement unit code | an..3 | M | |
| | 6314 | Measurement value | an..18 | O | |
| | 6162 | Range minimum value | n..18 | O | |
| | 6152 | Range maximum value | n..18 | O | |
| | 6432 | Significant digits quantity | n..2 | O | |
| <p>This segment is used to specify a measurement for the goods identified in the GID segment. All measurements given in the MEA segments relate to the highest level of packaging (the despatch units) identified in the GID segment.</p> <p>Example:</p> <p>Example: MEA+AAE+AAB:3+MTR:9:9:9:1'</p> <p>Example: MEA+AAE+G+KGM:1600'</p> | | | | | |

Max. Occ. = Maximum Occurrence, St = Status, * = Restricted Codes

Status: M=Mandatory, R=Required, O=Optional, C=Conditional, D=Dependent, A=Advised, N=Not used

Segment Layout

| No. Seg | St | Max. Occ. | | | | |
|--|------------|------------------------|---|-----------------|---|-------------|
| SG25 | C | 9999 | CNI-DTM-CNT-TSR-MOA-FTX-SG31-SG32-SG33-SG38-SG43-SG50-SG70 | | | |
| A segment group to give information about all consignments included in a voyage/flight or consolidation. | | | | | | |
| SG50 | C | 999 | GID-HAN-TMP-RNG-MOA-PIA-FTX-SG51-GDS-SG52-SG53-SG54-SG55-SG56-SG61-SG65 | | | |
| A group of segments to describe the goods items for which transport is undertaken. | | | | | | |
| SG52 | C | 99 | MEA-EQN | | | |
| A group of segments to specify measurements applicable to a goods item. | | | | | | |
| 69 | EQN | C | 1 | Number of units | | |
| To specify the number of units. | | | | | | |
| Business Term | DE | EDIFACT | Format | St | * | Description |
| | C523 | Number of unit details | | M | | |
| | 6350 | Units quantity | n..15 | R | | |
| This segment is used to specify the number of packages (despatch units) within the goods item to which the measurement applies. Example: Example: EQN+9 ' Example: EQN+10 ' | | | | | | |

Max. Occ. = Maximum Occurrence, St = Status, * = Restricted Codes
 Status: M=Mandatory, R=Required, O=Optional, C=Conditional, D=Dependent, A=Advised, N=Not used

Segment Layout

| No. Seg | St | Max. Occ. | |
|---------------|----|-----------|--|
| SG25 | C | 9999 | CNI-DTM-CNT-TSR-MOA-FTX-SG31-SG32-SG33-SG38-SG43-SG50-SG70 A segment group to give information about all consignments included in a voyage/flight or consolidation. |
| SG50 | C | 999 | GID-HAN-TMP-RNG-MOA-PIA-FTX-SG51-GDS-SG52-SG53-SG54-SG55-SG56-SG61-SG65 A group of segments to describe the goods items for which transport is undertaken. |
| SG53 | C | 99 | DIM-EQN A group of segments to specify dimensions applicable to a goods item. |
| 70 DIM | M | 1 | Dimensions To specify dimensions. |

| Business Term | DE | EDIFACT | Format | St | * | Description |
|---------------|------|-------------------------------|--------|----|---|--|
| | 6145 | Dimension type code qualifier | an..3 | M | * | 1 Gross dimensions 10E Unit gross dimensions (GS1 Temporary Code) |
| | C211 | Dimensions | | M | | |
| | 6411 | Measurement unit code | an..3 | M | | |
| | 6168 | Length dimension value | n..15 | O | | |
| | 6140 | Width dimension value | n..15 | O | | |
| | 6008 | Height dimension value | n..15 | O | | |

This segment is used to indicate the dimensions of the goods item identified in the GID segment. All dimensions given in the DIM segments relate to the highest level packaging (the despatch units) identified in the GID segment.
Example:
Example: DIM+1+MTR:9:9:9'
Example: DIM+1+MTR:4:2:2'

Max. Occ. = Maximum Occurrence, St = Status, * = Restricted Codes
Status: M=Mandatory, R=Required, O=Optional, C=Conditional, D=Dependent, A=Advised, N=Not used

Segment Layout

| No. Seg | St | Max. Occ. | |
|--|------------|------------------------|---|
| SG25 | C | 9999 | CNI-DTM-CNT-TSR-MOA-FTX-SG31-SG32-SG33-SG38-SG43-SG50-SG70 |
| A segment group to give information about all consignments included in a voyage/flight or consolidation. | | | |
| SG50 | C | 999 | GID-HAN-TMP-RNG-MOA-PIA-FTX-SG51-GDS-SG52-SG53-SG54-SG55-SG56-SG61-SG65 |
| A group of segments to describe the goods items for which transport is undertaken. | | | |
| SG53 | C | 99 | DIM-EQN |
| A group of segments to specify dimensions applicable to a goods item. | | | |
| 71 | EQN | C 1 | Number of units |
| To specify the number of units. | | | |
| Business Term | DE | EDIFACT | Format St * Description |
| | C523 | Number of unit details | M |
| | 6350 | Units quantity | n..15 R |
| This segment is used to specify the number of packages (despatch units) within the goods items to which the dimensions apply. Example: Example: EQN+9 ' Example: EQN+40 ' | | | |

Max. Occ. = Maximum Occurrence, St = Status, * = Restricted Codes
 Status: M=Mandatory, R=Required, O=Optional, C=Conditional, D=Dependent, A=Advised, N=Not used

Segment Layout

| No. Seg | St | Max. Occ. | |
|--|------------|-----------------------------|---|
| SG25 | C | 9999 | CNI-DTM-CNT-TSR-MOA-FTX-SG31-SG32-SG33-SG38-SG43-SG50-SG70 |
| A segment group to give information about all consignments included in a voyage/flight or consolidation. | | | |
| SG50 | C | 999 | GID-HAN-TMP-RNG-MOA-PIA-FTX-SG51-GDS-SG52-SG53-SG54-SG55-SG56-SG61-SG65 |
| A group of segments to describe the goods items for which transport is undertaken. | | | |
| SG54 | C | 9 | RFF-DTM |
| A group of segments to identify references to a goods item. | | | |
| 72 | RFF | M 1 | Reference |
| To specify a reference. | | | |
| Business Term | DE | EDIFACT | Format St * Description |
| | C506 | Reference | M |
| | 1153 | Reference code qualifier | an..3 M CT Contract number |
| | 1154 | Reference identifier | an..70 R |
| This segment is used to specify references which are applicable to the current goods item only. The references specified will override those provided in group 32 when the same qualifier is used. Example: Example: RFF+CT:X' Example: RFF+CT:52441' | | | |

Max. Occ. = Maximum Occurrence, St = Status, * = Restricted Codes
 Status: M=Mandatory, R=Required, O=Optional, C=Conditional, D=Dependent, A=Advised, N=Not used

Segment Layout

| No. Seg | St | Max. Occ. | | | | |
|---|------------|--|---|------------------|---|-------------------------|
| SG25 | C | 9999 | CNI-DTM-CNT-TSR-MOA-FTX-SG31-SG32-SG33-SG38-SG43-SG50-SG70 | | | |
| A segment group to give information about all consignments included in a voyage/flight or consolidation. | | | | | | |
| SG50 | C | 999 | GID-HAN-TMP-RNG-MOA-PIA-FTX-SG51-GDS-SG52-SG53-SG54-SG55-SG56-SG61-SG65 | | | |
| A group of segments to describe the goods items for which transport is undertaken. | | | | | | |
| SG54 | C | 9 | RFF-DTM | | | |
| A group of segments to identify references to a goods item. | | | | | | |
| 73 | DTM | C | 9 | Date/time/period | | |
| To specify date, and/or time, or period. | | | | | | |
| Business Term | DE | EDIFACT | Format | St | * | Description |
| | C507 | Date/time/period | | M | | |
| | 2005 | Date or time or period function code qualifier | an..3 | M | * | 171 Reference date/time |
| | 2380 | Date or time or period value | an..35 | R | | |
| | 2379 | Date or time or period format code | an..3 | R | | 102 CCYYMMDD |
| This segment is used to indicate dates relevant to the references specified in the previous RFF segment. Example: Example: DTM+171:X:102' Example: DTM+171:19960110:102' | | | | | | |

Max. Occ. = Maximum Occurrence, St = Status, * = Restricted Codes
 Status: M=Mandatory, R=Required, O=Optional, C=Conditional, D=Dependent, A=Advised, N=Not used

Segment Layout

| No. Seg | St | Max. Occ. | |
|-------------|------------|-----------|--|
| SG25 | C | 9999 | CNI-DTM-CNT-TSR-MOA-FTX-SG31-SG32-SG33-SG38-SG43-SG50-SG70 A segment group to give information about all consignments included in a voyage/flight or consolidation. |
| SG50 | C | 999 | GID-HAN-TMP-RNG-MOA-PIA-FTX-SG51-GDS-SG52-SG53-SG54-SG55-SG56-SG61-SG65 A group of segments to describe the goods items for which transport is undertaken. |
| SG55 | C | 999 | PCI-GIN A group of segments to specify marks and numbers of a goods item. |
| 74 | PCI | M 1 | Package identification To specify markings and labels on individual packages or physical units. |

| Business Term | DE | EDIFACT | Format | St | * | Description |
|---------------|------|----------------------------|--------|----|---|---|
| | 4233 | Marking instructions code | an..3 | R | | 17 Supplier's instructions 18 Carrier's instructions 39 Marked with Serial Shipping Container Code (SSCC) |
| | C210 | Marks & labels | | O | | |
| | 7102 | Shipping marks description | an..35 | M | | |
| | 7102 | Shipping marks description | an..35 | O | | |
| | 7102 | Shipping marks description | an..35 | O | | |
| | 7102 | Shipping marks description | an..35 | O | | |
| | 7102 | Shipping marks description | an..35 | O | | |
| | 7102 | Shipping marks description | an..35 | O | | |
| | 7102 | Shipping marks description | an..35 | O | | |
| | 7102 | Shipping marks description | an..35 | O | | |
| | 7102 | Shipping marks description | an..35 | O | | |
| | 7102 | Shipping marks description | an..35 | O | | |

This segment is used to specify what markings and labels are marked on the packaging of the current goods item.
Example:
Example: PCI+39+X:X:X:X:X:X:X:X:X'
Example: PCI+39'

Max. Occ. = Maximum Occurrence, St = Status, * = Restricted Codes
Status: M=Mandatory, R=Required, O=Optional, C=Conditional, D=Dependent, A=Advised, N=Not used

Segment Layout

| No. Seg | St | Max. Occ. | |
|--|------------|-----------|---|
| SG25 | C | 9999 | CNI-DTM-CNT-TSR-MOA-FTX-SG31-SG32-SG33-SG38-SG43-SG50-SG70 |
| A segment group to give information about all consignments included in a voyage/flight or consolidation. | | | |
| SG50 | C | 999 | GID-HAN-TMP-RNG-MOA-PIA-FTX-SG51-GDS-SG52-SG53-SG54-SG55-SG56-SG61-SG65 |
| A group of segments to describe the goods items for which transport is undertaken. | | | |
| SG55 | C | 999 | PCI-GIN |
| A group of segments to specify marks and numbers of a goods item. | | | |
| 75 | GIN | C 9 | Goods identity number |
| To give specific identification numbers, either as single numbers or ranges. | | | |

| Business Term | DE | EDIFACT | Format | St | * | Description |
|---------------|------|--------------------------------------|--------|----|---|--|
| | 7405 | Object identification code qualifier | an..3 | M | * | AW Serial shipping container code BJ Serial shipping container code |
| | C208 | Identity number range | | M | | |
| | 7402 | Object identifier | an..35 | M | | |
| | 7402 | Object identifier | an..35 | O | | |
| | C208 | Identity number range | | O | | |
| | 7402 | Object identifier | an..35 | M | | |
| | 7402 | Object identifier | an..35 | O | | |
| | C208 | Identity number range | | O | | |
| | 7402 | Object identifier | an..35 | M | | |
| | 7402 | Object identifier | an..35 | O | | |
| | C208 | Identity number range | | O | | |
| | 7402 | Object identifier | an..35 | M | | |
| | 7402 | Object identifier | an..35 | O | | |
| | C208 | Identity number range | | O | | |
| | 7402 | Object identifier | an..35 | M | | |
| | 7402 | Object identifier | an..35 | O | | |

This segment is used to provide the Serial Shipping Container Code which has been marked on the packaging of the current goods item.
 Example:
 Example: GIN+AW+X:X+X:X+X:X+X:X+X:X'
 Example: GIN+AW+35412345000000014'

Max. Occ. = Maximum Occurrence, St = Status, * = Restricted Codes
 Status: M=Mandatory, R=Required, O=Optional, C=Conditional, D=Dependent, A=Advised, N=Not used

Segment Layout

| No. Seg | St | Max. Occ. | |
|--|------------|-----------|---|
| SG25 | C | 9999 | CNI-DTM-CNT-TSR-MOA-FTX-SG31-SG32-SG33-SG38-SG43-SG50-SG70 |
| A segment group to give information about all consignments included in a voyage/flight or consolidation. | | | |
| SG50 | C | 999 | GID-HAN-TMP-RNG-MOA-PIA-FTX-SG51-GDS-SG52-SG53-SG54-SG55-SG56-SG61-SG65 |
| A group of segments to describe the goods items for which transport is undertaken. | | | |
| SG56 | C | 9 | DOC-DTM |
| A group of segments to specify documents and associated date(s) and time(s) for a goods item. | | | |
| 76 | DOC | M 1 | Document/message details To identify documents and details directly related to it. |

| Business Term | DE | EDIFACT | Format | St | * | Description |
|---------------|------|--------------------------------------|--------|----|---|---|
| | C002 | Document/message name | | M | | |
| | 1001 | Document name code | an..3 | R | | 811 Export licence 911 Import licence |
| | 1131 | Code list identification code | an..17 | O | | |
| | 3055 | Code list responsible agency code | an..3 | D | | |
| | C503 | Document/message details | | O | | |
| | 1004 | Document identifier | an..35 | R | | |
| | 1373 | Document status code | an..3 | O | | 2 Accompanying goods 9 To be printed 17 Document with the goods |
| | 1366 | Document source description | an..70 | O | | |
| | 3453 | Language name code | an..3 | O | | ISO 639 two alpha |
| | 3153 | Communication medium type code | an..3 | N | | |
| | 1220 | Document copies required quantity | n..2 | O | | |
| | 1218 | Document originals required quantity | n..2 | O | | |

This segment is used to specify documents which are required for the current goods item only and which must accompany the goods during transport.

Example:

Example: DOC+811:23:2+X:2:X:AA++9+9'

Example: DOC+811+52441'

Max. Occ. = Maximum Occurrence, St = Status, * = Restricted Codes

Status: M=Mandatory, R=Required, O=Optional, C=Conditional, D=Dependent, A=Advised, N=Not used

Segment Layout

| No. Seg | St | Max. Occ. | |
|---------------|----|-----------|--|
| SG25 | C | 9999 | CNI-DTM-CNT-TSR-MOA-FTX-SG31-SG32-SG33-SG38-SG43-SG50-SG70 A segment group to give information about all consignments included in a voyage/flight or consolidation. |
| SG50 | C | 999 | GID-HAN-TMP-RNG-MOA-PIA-FTX-SG51-GDS-SG52-SG53-SG54-SG55-SG56-SG61-SG65 A group of segments to describe the goods items for which transport is undertaken. |
| SG56 | C | 9 | DOC-DTM A group of segments to specify documents and associated date(s) and time(s) for a goods item. |
| 77 DTM | C | 9 | Date/time/period To specify date, and/or time, or period. |

| Business Term | DE | EDIFACT | Format | St | * | Description |
|---------------|------|--|--------|----|---|--|
| | C507 | Date/time/period | | M | | |
| | 2005 | Date or time or period function code qualifier | an..3 | M | * | 7 Effective date/time 36 Expiry date 137 Document/message date/time 273 Validity period |
| | 2380 | Date or time or period value | an..35 | R | | |
| | 2379 | Date or time or period format code | an..3 | R | | 102 CCYYMMDD 203 CCYYMMDDHHMM 718 CCYYMMDD-CCYYMMDD |

This segment is used to specify dates relating to the documents identified in the previous DOC segment.

Example:

Example: DTM+7:X:102'

Example: DTM+36:19940101:102'

Max. Occ. = Maximum Occurrence, St = Status, * = Restricted Codes

Status: M=Mandatory, R=Required, O=Optional, C=Conditional, D=Dependent, A=Advised, N=Not used

Segment Layout

| No. Seg | St | Max. Occ. | |
|-------------|----|-----------|--|
| SG25 | C | 9999 | CNI-DTM-CNT-TSR-MOA-FTX-SG31-SG32-SG33-SG38-SG43-SG50-SG70 A segment group to give information about all consignments included in a voyage/flight or consolidation. |
| SG50 | C | 999 | GID-HAN-TMP-RNG-MOA-PIA-FTX-SG51-GDS-SG52-SG53-SG54-SG55-SG56-SG61-SG65 A group of segments to describe the goods items for which transport is undertaken. |
| SG61 | C | 999 | SGP A group of segments to specify the distribution of a goods item among the transport equipment. |
| 78 | M | 1 | SGP Split goods placement To specify the placement of goods in relation to equipment. |

| Business Term | DE | EDIFACT | Format | St | * | Description |
|---------------|------|-----------------------------------|--------|----|---|-------------------------|
| | C237 | Equipment identification | | M | | |
| | 8260 | Equipment identifier | an..17 | R | | |
| | 1131 | Code list identification code | an..17 | O | | |
| | 3055 | Code list responsible agency code | an..3 | D | | |
| | 3207 | Country name code | an..3 | O | | ISO 3166 two alpha code |
| | 7224 | Package quantity | n..8 | O | | |

This segment is used to specify the placement of the goods item within the equipment used for its transportation.

Example:

Example: SGP+X:23:2:AD+9'

Example: SGP+AS-12388'

Max. Occ. = Maximum Occurrence, St = Status, * = Restricted Codes

Status: M=Mandatory, R=Required, O=Optional, C=Conditional, D=Dependent, A=Advised, N=Not used

Segment Layout

| No. Seg | St | Max. Occ. | |
|---|------------|-----------|---|
| SG25 | C | 9999 | CNI-DTM-CNT-TSR-MOA-FTX-SG31-SG32-SG33-SG38-SG43-SG50-SG70 |
| A segment group to give information about all consignments included in a voyage/flight or consolidation. | | | |
| SG50 | C | 999 | GID-HAN-TMP-RNG-MOA-PIA-FTX-SG51-GDS-SG52-SG53-SG54-SG55-SG56-SG61-SG65 |
| A group of segments to describe the goods items for which transport is undertaken. | | | |
| SG65 | C | 99 | DGS-FTX-SG66-SG67 |
| A group of segments to specify dangerous goods details related to the goods item. One goods item may be in different dangerous goods classes. | | | |
| 79 | DGS | M 1 | Dangerous goods To identify dangerous goods. |

| Business Term | DE | EDIFACT | Format | St | * | Description |
|---------------|------|--|--------|----|---|--|
| | 8273 | Dangerous goods regulations code | an..3 | O | | ADR European agreement regarding the total carriage of dangerous goods CFR 49 code of federal regulations RID Rail/road dangerous goods book (RID) |
| | C205 | Hazard code | | O | | |
| | 8351 | Hazard identification code | an..7 | M | | Classification according ADR/RID rules |
| | 8078 | Additional hazard classification identifier | an..7 | O | | Additional according ADR/RID rules |
| | 8092 | Hazard code version identifier | an..10 | O | | |
| | C234 | UNDG information | | O | | |
| | 7124 | United Nations Dangerous Goods (UNDG) identifier | n4 | O | | |
| | 7088 | Dangerous goods flashpoint value | an..8 | O | | Declaration of the flashpoint. |
| | C223 | Dangerous goods shipment flashpoint | | O | | |
| | 7106 | Shipment flashpoint value | n3 | O | | |
| | 6411 | Measurement unit code | an..3 | O | | |
| | 8339 | Packaging danger level code | an..3 | O | | 1 Great danger 2 Medium danger 3 Minor danger |
| | 8364 | Emergency procedure for ships identifier | an..6 | O | | Only for emergency procedure on ships. |
| | 8410 | Hazard medical first | an..4 | O | | |

Max. Occ. = Maximum Occurrence, St = Status, * = Restricted Codes

Status: M=Mandatory, R=Required, O=Optional, C=Conditional, D=Dependent, A=Advised, N=Not used

Segment Layout

| Business Term | DE | EDIFACT | Format | St | * | Description |
|---------------|------|--|--------|----|---|--|
| | | aid guide identifier | | | | |
| | 8126 | Transport emergency card identifier | an..10 | O | | TREM card number according ADR. |
| | C235 | Hazard identification placard details | | O | | |
| | 8158 | Orange hazard placard upper part identifier | an..4 | O | | Danger signs upper part. |
| | 8186 | Orange hazard placard lower part identifier | an4 | O | | Danger signs lower part. |
| | C236 | Dangerous goods label | | O | | According ADR, FID, IMDG-code, IATA-DGR. |
| | 8246 | Dangerous goods marking identifier | an..4 | O | | Number of dangerous goods document primary hazard. |
| | 8246 | Dangerous goods marking identifier | an..4 | O | | Number of dangerous goods document secondary hazard. |
| | 8246 | Dangerous goods marking identifier | an..4 | O | | |
| | 8255 | Packing instruction type code | an..3 | O | | |
| | 8325 | Hazardous means of transport category code | an..3 | O | | Only used by air carrier. |
| | 8211 | Hazardous cargo transport authorisation code | an..3 | O | | |

This segment is used to indicate whether the current goods item is considered a dangerous good.
Example:

Example: DGS+ADR+X:X:X+9999:X+999:CEL+1+X+X+X+X:XXXX+X:X:X+X+1+X'

Example: DGS+ADR+3B+1178+021:CEL'

Max. Occ. = Maximum Occurrence, St = Status, * = Restricted Codes

Status: M=Mandatory, R=Required, O=Optional, C=Conditional, D=Dependent, A=Advised, N=Not used

Segment Layout

| No. Seg | St | Max. Occ. | | | | |
|---------------|------|-----------------------------------|---|----|---|---|
| SG25 | C | 9999 | CNI-DTM-CNT-TSR-MOA-FTX-SG31-SG32-SG33-SG38-SG43-SG50-SG70 | | | |
| | | | A segment group to give information about all consignments included in a voyage/flight or consolidation. | | | |
| SG50 | C | 999 | GID-HAN-TMP-RNG-MOA-PIA-FTX-SG51-GDS-SG52-SG53-SG54-SG55-SG56-SG61-SG65 | | | |
| | | | A group of segments to describe the goods items for which transport is undertaken. | | | |
| SG65 | C | 99 | DGS-FTX-SG66-SG67 | | | |
| | | | A group of segments to specify dangerous goods details related to the goods item. One goods item may be in different dangerous goods classes. | | | |
| 80 | | | | | | |
| FTX | C | 99 | Free text | | | |
| | | | To provide free form or coded text information. | | | |
| Business Term | DE | EDIFACT | Format | St | * | Description |
| | 4451 | Text subject code qualifier | an..3 | M | | AAC Dangerous goods additional information AAD Dangerous goods, technical name |
| | 4453 | Free text function code | an..3 | O | | 1 Text for subsequent use |
| | C107 | Text reference | | D | | This composite is only used when trading partners have agreed to use mutually defined code values. |
| | 4441 | Free text value code | an..17 | M | | |
| | 1131 | Code list identification code | an..17 | O | | |
| | 3055 | Code list responsible agency code | an..3 | D | | 89 Assigned by distributor 90 Assigned by manufacturer 91 Assigned by supplier or supplier's agent 92 Assigned by buyer or buyer's agent |
| | C108 | Text literal | | D | | This composite is only used if coded text can not be used. |
| | 4440 | Free text value | an..51 | M | | |
| | 4440 | Free text value | an..51 | O | | |
| | 4440 | Free text value | an..51 | O | | |
| | 4440 | Free text value | an..51 | O | | |
| | 4440 | Free text value | an..51 | O | | |
| | 3453 | Language name code | an..3 | D | | ISO 639 two alpha code This data element is only used when non coded free text has |

Max. Occ. = Maximum Occurrence, St = Status, * = Restricted Codes

Status: M=Mandatory, R=Required, O=Optional, C=Conditional, D=Dependent, A=Advised, N=Not used

Segment Layout

| Business Term | DE | EDIFACT | Format | St | * | Description |
|--|----|---------|--------|----|---|-------------------------------------|
| | | | | | | been provided in data element C108. |
| <p>This segment is used to specify any additional information required for the dangerous goods. Use of this segment in free form is not recommended since it may inhibit automatic processing of the Forwarding and Consolidation Summary. Coded references to standard texts is an available functionality which enables automatic processing and reduces transmission overheads. Standard texts should be mutually defined between trading partners and can be used to cover legal or other requirements.</p> <p>Example:</p> <p>Example: <code>FTX+AAC+1+1E:23:89+X:X:X:X+AA'</code></p> <p>Example: <code>FTX+AAC+++DIETHYL ACETALDEHYDE'</code></p> | | | | | | |

Max. Occ. = Maximum Occurrence, St = Status, * = Restricted Codes

Status: M=Mandatory, R=Required, O=Optional, C=Conditional, D=Dependent, A=Advised, N=Not used

Segment Layout

| No. Seg | St | Max. Occ. | |
|---|------------|----------------------------------|--|
| SG25 | C | 9999 | CNI-DTM-CNT-TSR-MOA-FTX-SG31-SG32-SG33-SG38-SG43-SG50-SG70 |
| A segment group to give information about all consignments included in a voyage/flight or consolidation. | | | |
| SG50 | C | 999 | GID-HAN-TMP-RNG-MOA-PIA-FTX-SG51-GDS-SG52-SG53-SG54-SG55-SG56-SG61-SG65 |
| A group of segments to describe the goods items for which transport is undertaken. | | | |
| SG65 | C | 99 | DGS-FTX-SG66-SG67 |
| A group of segments to specify dangerous goods details related to the goods item. One goods item may be in different dangerous goods classes. | | | |
| SG66 | C | 9 | CTA-COM |
| A group of segments to identify a contact to whom communication regarding the dangerous goods can be directed. | | | |
| 81 | CTA | M 1 | Contact information |
| To identify a person or a department to whom communication should be directed. | | | |
| Business Term | DE | EDIFACT | Format St * Description |
| | 3139 | Contact function code | an..3 R HE Emergency dangerous goods contact HG Dangerous goods contact |
| | C056 | Department or employee details | O |
| | 3413 | Department or employee name code | an..17 O |
| | 3412 | Department or employee name | an..35 O |
| This segment is used to specify a contact name relating to the dangerous goods identified in the DGS segment. Example: Example: CTA+HE+X:X' Example: CTA+HG+:J REEVES' | | | |

Max. Occ. = Maximum Occurrence, St = Status, * = Restricted Codes
 Status: M=Mandatory, R=Required, O=Optional, C=Conditional, D=Dependent, A=Advised, N=Not used

Segment Layout

| No. Seg | St | Max. Occ. | |
|---------------|----|-----------|--|
| SG25 | C | 9999 | CNI-DTM-CNT-TSR-MOA-FTX-SG31-SG32-SG33-SG38-SG43-SG50-SG70 A segment group to give information about all consignments included in a voyage/flight or consolidation. |
| SG50 | C | 999 | GID-HAN-TMP-RNG-MOA-PIA-FTX-SG51-GDS-SG52-SG53-SG54-SG55-SG56-SG61-SG65 A group of segments to describe the goods items for which transport is undertaken. |
| SG65 | C | 99 | DGS-FTX-SG66-SG67 A group of segments to specify dangerous goods details related to the goods item. One goods item may be in different dangerous goods classes. |
| SG66 | C | 9 | CTA-COM A group of segments to identify a contact to whom communication regarding the dangerous goods can be directed. |
| 82 COM | C | 9 | Communication contact To identify a communication number of a department or a person to whom communication should be directed. |

| Business Term | DE | EDIFACT | Format | St | * | Description |
|---------------|------|--------------------------------------|--------|----|---|--|
| | C076 | Communication contact | | M | | |
| | 3148 | Communication address identifier | an..51 | M | | |
| | 3155 | Communication address code qualifier | an..3 | M | | AO Uniform Resource Location (URL) EM Electronic mail TE Telephone |

This segment identifies the communications number and type of communications for the person or department identified in the previous CTA segment.

Example:

Example: COM+X:EM'

Example: COM+0033148759632:TE'

Max. Occ. = Maximum Occurrence, St = Status, * = Restricted Codes

Status: M=Mandatory, R=Required, O=Optional, C=Conditional, D=Dependent, A=Advised, N=Not used

Segment Layout

| No. Seg | St | Max. Occ. | |
|--|------------|------------------------------------|---|
| SG25 | C | 9999 | CNI-DTM-CNT-TSR-MOA-FTX-SG31-SG32-SG33-SG38-SG43-SG50-SG70 |
| A segment group to give information about all consignments included in a voyage/flight or consolidation. | | | |
| SG50 | C | 999 | GID-HAN-TMP-RNG-MOA-PIA-FTX-SG51-GDS-SG52-SG53-SG54-SG55-SG56-SG61-SG65 |
| A group of segments to describe the goods items for which transport is undertaken. | | | |
| SG65 | C | 99 | DGS-FTX-SG66-SG67 |
| A group of segments to specify dangerous goods details related to the goods item. One goods item may be in different dangerous goods classes. | | | |
| SG67 | C | 9 | MEA-EQN |
| A group of segments to identify dangerous goods measurements. | | | |
| 83 | MEA | M 1 | Measurements |
| To specify physical measurements, including dimension tolerances, weights and counts. | | | |
| Business Term | DE | EDIFACT | Format St * Description |
| | 6311 | Measurement purpose code qualifier | an..3 M AAE Measurement |
| | C502 | Measurement details | A |
| | 6313 | Measured attribute code | an..3 A G Gross weight |
| | 6321 | Measurement significance code | an..3 O 3 Approximately 4 Equal to |
| | C174 | Value/range | R |
| | 6411 | Measurement unit code | an..3 M |
| | 6314 | Measurement value | an..18 O |
| | 6162 | Range minimum value | n..18 O |
| | 6152 | Range maximum value | n..18 N |
| | 6432 | Significant digits quantity | n..2 O |
| This segment is used to indicate a measurement of the current dangerous goods item. Example: Example: MEA+AAE+AAB:3+MTR:9:9::1' Example: MEA+AAE+G:4+LTR:500' | | | |

Max. Occ. = Maximum Occurrence, St = Status, * = Restricted Codes
Status: M=Mandatory, R=Required, O=Optional, C=Conditional, D=Dependent, A=Advised, N=Not used

Segment Layout

| No. Seg | St | Max. Occ. | |
|---------------|----|-----------|--|
| SG25 | C | 9999 | CNI-DTM-CNT-TSR-MOA-FTX-SG31-SG32-SG33-SG38-SG43-SG50-SG70 A segment group to give information about all consignments included in a voyage/flight or consolidation. |
| SG50 | C | 999 | GID-HAN-TMP-RNG-MOA-PIA-FTX-SG51-GDS-SG52-SG53-SG54-SG55-SG56-SG61-SG65 A group of segments to describe the goods items for which transport is undertaken. |
| SG65 | C | 99 | DGS-FTX-SG66-SG67 A group of segments to specify dangerous goods details related to the goods item. One goods item may be in different dangerous goods classes. |
| SG67 | C | 9 | MEA-EQN A group of segments to identify dangerous goods measurements. |
| 84 EQN | C | 1 | Number of units To specify the number of units. |

| Business Term | DE | EDIFACT | Format | St | * | Description |
|---------------|------|------------------------|--------|----|---|-------------|
| | C523 | Number of unit details | | M | | |
| | 6350 | Units quantity | n..15 | R | | |

This segment is used to indicate the number of units to which the dangerous goods measurements apply.
 Example:
 Example: EQN+9 '
 Example: EQN+1 '

Max. Occ. = Maximum Occurrence, St = Status, * = Restricted Codes
 Status: M=Mandatory, R=Required, O=Optional, C=Conditional, D=Dependent, A=Advised, N=Not used

Segment Layout

| No. Seg | St | Max. Occ. | | | | |
|---|------------|--|--|-------------------|---|---|
| SG25 | C | 9999 | CNI-DTM-CNT-TSR-MOA-FTX-SG31-SG32-SG33-SG38-SG43-SG50-SG70 | | | |
| A segment group to give information about all consignments included in a voyage/flight or consolidation. | | | | | | |
| SG70 | C | 999 | EQD-EQN-MEA-DIM-SEL-SG72 | | | |
| A group of segments to specify equipment in which goods are transported. | | | | | | |
| 85 | EQD | M | 1 | Equipment details | | |
| To identify a unit of equipment. | | | | | | |
| Business Term | DE | EDIFACT | Format | St | * | Description |
| | 8053 | Equipment type code qualifier | an..3 | M | | BPN Box pallet non exchangeable CN Container EFP Exchangeable EUR flat pallet PA Pallet UL ULD (Unit load device) |
| | C237 | Equipment identification | | A | | |
| | 8260 | Equipment identifier | an..17 | A | | |
| | 1131 | Code list identification code | an..17 | O | | |
| | 3055 | Code list responsible agency code | an..3 | D | | 9 GS1 |
| | 3207 | Country name code | an..3 | O | | |
| | C224 | Equipment size and type | | O | | |
| | 8155 | Equipment size and type description code | an..10 | O | | 6 Pressurized tank 21 Container IC 20 ft. |
| | 1131 | Code list identification code | an..17 | O | | |
| | 3055 | Code list responsible agency code | an..3 | D | | |
| | 8154 | Equipment size and type description | an..35 | O | | |
| | 8077 | Equipment supplier code | an..3 | O | | 1 Shipper supplied 2 Carrier supplied |
| | 8249 | Equipment status code | an..3 | O | | |
| | 8169 | Full or empty indicator code | an..3 | O | | 4 Empty 5 Full |
| <p>This segment is used to indicate the units of equipment which will be used to transport the current consignment.</p> <p>Example:</p> <p>Example: EQD+CN+X:23:9:AD+6:23:2:X+1+4E+4 '</p> <p>Example: EQD+UL+45223 '</p> | | | | | | |

Max. Occ. = Maximum Occurrence, St = Status, * = Restricted Codes

Status: M=Mandatory, R=Required, O=Optional, C=Conditional, D=Dependent, A=Advised, N=Not used

Segment Layout

| No. Seg | St | Max. Occ. | | | | |
|--|------------|------------------------|--|----|---|-------------|
| SG25 | C | 9999 | CNI-DTM-CNT-TSR-MOA-FTX-SG31-SG32-SG33-SG38-SG43-SG50-SG70 | | | |
| A segment group to give information about all consignments included in a voyage/flight or consolidation. | | | | | | |
| SG70 | C | 999 | EQD-EQN-MEA-DIM-SEL-SG72 | | | |
| A group of segments to specify equipment in which goods are transported. | | | | | | |
| 86 | EQN | C 1 | Number of units | | | |
| To specify the number of units. | | | | | | |
| Business Term | DE | EDIFACT | Format | St | * | Description |
| | C523 | Number of unit details | | M | | |
| | 6350 | Units quantity | n..15 | R | | |
| This segment is used to specify the number of pieces of equipment required. Example: Example: EQN+9' Example: EQN+10' | | | | | | |

Max. Occ. = Maximum Occurrence, St = Status, * = Restricted Codes
Status: M=Mandatory, R=Required, O=Optional, C=Conditional, D=Dependent, A=Advised, N=Not used

Segment Layout

| No. Seg | St | Max. Occ. | | | | |
|---|------------|------------------------------------|--|--------------|---|---------------------------------|
| SG25 | C | 9999 | CNI-DTM-CNT-TSR-MOA-FTX-SG31-SG32-SG33-SG38-SG43-SG50-SG70 | | | |
| A segment group to give information about all consignments included in a voyage/flight or consolidation. | | | | | | |
| SG70 | C | 999 | EQD-EQN-MEA-DIM-SEL-SG72 | | | |
| A group of segments to specify equipment in which goods are transported. | | | | | | |
| 87 | MEA | C | 9 | Measurements | | |
| To specify physical measurements, including dimension tolerances, weights and counts. | | | | | | |
| Business Term | DE | EDIFACT | Format | St | * | Description |
| | 6311 | Measurement purpose code qualifier | an..3 | M | | AAE Measurement |
| | C502 | Measurement details | | A | | |
| | 6313 | Measured attribute code | an..3 | A | | G Gross weight T Tare weight |
| | 6321 | Measurement significance code | an..3 | O | | 3 Approximately 4 Equal to |
| | 6155 | Non-discrete measurement name code | an..17 | O | | |
| | C174 | Value/range | | R | | |
| | 6411 | Measurement unit code | an..3 | M | | |
| | 6314 | Measurement value | an..18 | O | | |
| <p>This segment is used to specify the physical dimensions of the equipment identified in the preceding EQD segment.</p> <p>Example:</p> <p>Example: MEA+SH+AAA:3:42+KGM:9'</p> <p>Example: MEA+AAE+G+TNE:5622'</p> | | | | | | |

Max. Occ. = Maximum Occurrence, St = Status, * = Restricted Codes

Status: M=Mandatory, R=Required, O=Optional, C=Conditional, D=Dependent, A=Advised, N=Not used

Segment Layout

| No. Seg | St | Max. Occ. | | | | |
|---|------------|-------------------------------|--|------------|---|--------------------|
| SG25 | C | 9999 | CNI-DTM-CNT-TSR-MOA-FTX-SG31-SG32-SG33-SG38-SG43-SG50-SG70 | | | |
| A segment group to give information about all consignments included in a voyage/flight or consolidation. | | | | | | |
| SG70 | C | 999 | EQD-EQN-MEA-DIM-SEL-SG72 | | | |
| A group of segments to specify equipment in which goods are transported. | | | | | | |
| 88 | DIM | C | 9 | Dimensions | | |
| To specify dimensions. | | | | | | |
| Business Term | DE | EDIFACT | Format | St | * | Description |
| | 6145 | Dimension type code qualifier | an..3 | M | | 1 Gross dimensions |
| | C211 | Dimensions | | M | | |
| | 6411 | Measurement unit code | an..3 | M | | |
| | 6168 | Length dimension value | n..15 | O | | |
| | 6140 | Width dimension value | n..15 | O | | |
| | 6008 | Height dimension value | n..15 | O | | |
| This segment is used to indicate the dimensions of the equipment identified in the EQD segment. Example: Example: DIM+3+CMT:9:9:9' Example: DIM+1+CMT:2:2:1' | | | | | | |

Max. Occ. = Maximum Occurrence, St = Status, * = Restricted Codes

Status: M=Mandatory, R=Required, O=Optional, C=Conditional, D=Dependent, A=Advised, N=Not used

Segment Layout

| No. Seg | St | Max. Occ. | | | | |
|--|------------|-----------------------------------|--|----|---|--|
| SG25 | C | 9999 | CNI-DTM-CNT-TSR-MOA-FTX-SG31-SG32-SG33-SG38-SG43-SG50-SG70 | | | |
| A segment group to give information about all consignments included in a voyage/flight or consolidation. | | | | | | |
| SG70 | C | 999 | EQD-EQN-MEA-DIM-SEL-SG72 | | | |
| A group of segments to specify equipment in which goods are transported. | | | | | | |
| 89 | SEL | C 99 | Seal number | | | |
| To specify the seal number or a range of seal numbers. | | | | | | |
| Business Term | DE | EDIFACT | Format | St | * | Description |
| | 9308 | Seal identifier | an..35 | R | | |
| | C215 | Seal issuer | | R | | |
| | 9303 | Sealing party name code | an..3 | R | | CA Carrier CU Customs SH Shipper |
| | 1131 | Code list identification code | an..17 | O | | |
| | 3055 | Code list responsible agency code | an..3 | D | | |
| | 9302 | Sealing party name | an..35 | O | | |
| | 4517 | Seal condition code | an..3 | O | | |
| <p>This segment is used to specify a seal number, and the party applying the seal, for the equipment identified in the EQD segment.</p> <p>Example:</p> <p>Dependency Notes:</p> <p>The use of the SEL segment in the segment group 21 respectively 70 is recommended. Only if customs seals are involved in particular transport environments such as bonded goods the SEL segment in the segment group 33 should be used.</p> <p>Example: SEL+X+CA:23:2:X+1'</p> <p>Example: SEL+96753+SH'</p> | | | | | | |

Max. Occ. = Maximum Occurrence, St = Status, * = Restricted Codes

Status: M=Mandatory, R=Required, O=Optional, C=Conditional, D=Dependent, A=Advised, N=Not used

Segment Layout

| No. Seg | St | Max. Occ. | |
|--|------------|-----------|--|
| SG25 | C | 9999 | CNI-DTM-CNT-TSR-MOA-FTX-SG31-SG32-SG33-SG38-SG43-SG50-SG70 |
| A segment group to give information about all consignments included in a voyage/flight or consolidation. | | | |
| SG70 | C | 999 | EQD-EQN-MEA-DIM-SEL-SG72 |
| A group of segments to specify equipment in which goods are transported. | | | |
| SG72 | C | 9 | NAD |
| A group of segments to identify different equipment pick-up or drop-off places. | | | |
| 90 | NAD | M 1 | Name and address |
| To specify the name/address and their related function, either by C082 only and/or unstructured by C058 or structured by C080 thru 3207. | | | |

| Business Term | DE | EDIFACT | Format | St | * | Description |
|---------------|------|-----------------------------------|--------|----|---|---|
| | 3035 | Party function code qualifier | an..3 | M | | CK Empty equipment despatch party CR Empty equipment return party |
| | C082 | Party identification details | | A | | |
| | 3039 | Party identifier | an..35 | M | | GLN - Format n13 |
| | 1131 | Code list identification code | an..17 | N | | |
| | 3055 | Code list responsible agency code | an..3 | R | | 9 GS1 |
| | C058 | Name and address | | O | | This composite may only be used to fulfill the requirements of directive 2003/58/EC, article 4. |
| | 3124 | Name and address description | an..35 | M | | |
| | 3124 | Name and address description | an..35 | O | | |
| | 3124 | Name and address description | an..35 | O | | |
| | 3124 | Name and address description | an..35 | O | | |
| | 3124 | Name and address description | an..35 | O | | |
| | C080 | Party name | | D | | |
| | 3036 | Party name | an..35 | M | | Party Name in clear text. |
| | 3036 | Party name | an..35 | O | | |
| | 3036 | Party name | an..35 | O | | |
| | 3036 | Party name | an..35 | O | | |
| | 3036 | Party name | an..35 | O | | |
| | 3045 | Party name format code | an..3 | O | | |

Max. Occ. = Maximum Occurrence, St = Status, * = Restricted Codes

Status: M=Mandatory, R=Required, O=Optional, C=Conditional, D=Dependent, A=Advised, N=Not used

Segment Layout

| Business Term | DE | EDIFACT | Format | St | * | Description |
|---------------|------|---|--------|----|---|---------------------------------|
| | C059 | Street | | D | | |
| | 3042 | Street and number or post office box identifier | an..35 | M | | Building Name/Number and Street |
| | 3042 | Street and number or post office box identifier | an..35 | O | | Name and/or P.O. Box |
| | 3042 | Street and number or post office box identifier | an..35 | O | | |
| | 3042 | Street and number or post office box identifier | an..35 | O | | |
| | 3164 | City name | an..35 | D | | City/Town, clear text. |
| | C819 | Country sub-entity details | | D | | |
| | 3229 | Country sub-entity name code | an..9 | O | | |
| | 1131 | Code list identification code | an..17 | O | | |
| | 3055 | Code list responsible agency code | an..3 | O | | |
| | 3228 | Country sub-entity name | an..70 | O | | County/State, clear text. |
| | 3251 | Postal identification code | an..17 | D | | Postal Code |
| | 3207 | Country name code | an..3 | D | | ISO 3166 two alpha code |

This segment is used to specify pick up or drop off parties for the equipment specified in the EQD segment.

Example:

Dependency Notes:

The following composites and data elements are only used when a coded name and address can not be used. The affected composites and data elements are as follows:

C080 - C059 - 3164 - C819 - 3251 - 3207

Example: NAD+CK+X: :9+X: : :X+X:X:X:X:1+X:X:X+X+X:23:2:X+X+AD'

Example: NAD+CK+3323456007896: :9'

Max. Occ. = Maximum Occurrence, St = Status, * = Restricted Codes

Status: M=Mandatory, R=Required, O=Optional, C=Conditional, D=Dependent, A=Advised, N=Not used

Segment Layout

| No. Seg | St | Max. Occ. | | | |
|--|------------|---------------------------------|-----------------|----|---|
| 91 | UNT | M 1 | Message trailer | | |
| To end and check the completeness of a message. | | | | | |
| Notes: | | | | | |
| 1. 0062, the value shall be identical to the value in 0062 in the corresponding UNH segment. | | | | | |
| Business Term | DE | EDIFACT | Format | St | * Description |
| | 0074 | Number of segments in a message | n..10 | M | The total number of segments in the message is detailed here. |
| | 0062 | Message reference number | an..14 | M | The message reference numbered detailed here should equal the one specified in the UNH segment. |
| <p>This segment is a mandatory UN/EDIFACT segment. It must always be the last segment in the message.</p> <p>Example:</p> <p>Example: UNT+89+X'</p> <p>Example: UNT+89+ME000001'</p> | | | | | |

Max. Occ. = Maximum Occurrence, St = Status, * = Restricted Codes
 Status: M=Mandatory, R=Required, O=Optional, C=Conditional, D=Dependent, A=Advised, N=Not used

Segment Layout

| No. | Seg | St | Max. Occ. | | | |
|--|------------|-------------------------------|-----------|---|---|--|
| 92 | UNZ | M | 1 | Interchange trailer To end and check the completeness of an interchange. | | |
| Notes: 1. 0020, the value shall be identical to the value in 0020 in the corresponding UNB segment. | | | | | | |
| Business Term | DE | EDIFACT | Format | St | * | Description |
| | 0036 | Interchange control count | n..6 | M | | Number of messages or functional groups within an interchange. |
| | 0020 | Interchange control reference | an..14 | M | | Identical to DE 0020 in UNB segment. |
| <p>This segment is used to provide the trailer of an interchange. DE 0036: If functional groups are used, this is the number of functional groups within the interchange. If functional groups are not used, this is the number of messages within the interchange.</p> <p>Example: UNZ+1+12345555' Example: UNZ+5+12345555'</p> | | | | | | |

Max. Occ. = Maximum Occurrence, St = Status, * = Restricted Codes
 Status: M=Mandatory, R=Required, O=Optional, C=Conditional, D=Dependent, A=Advised, N=Not used

Used Codes

| | |
|-------------|---|
| 0001 | <p>Syntax identifier</p> <p>Coded identification of the agency controlling the syntax, and of the character repertoire used in an interchange.</p> <p>Notes:</p> <p>1. The data value consists of the letters 'UN', upper case, identifying the syntax controlling agency, directly followed by an a2 code identifying the character repertoire used.</p> |
| UNOA | <p>UN/ECE level A</p> <p>As defined in the basic code table of ISO 646 with the exceptions of lower case letters, alternative graphic character allocations and national or application-oriented graphic character allocations.</p> |
| UNOB | <p>UN/ECE level B</p> <p>As defined in the basic code table of ISO 646 with the exceptions of alternative graphic character allocations and national or application-oriented graphic character allocations.</p> |
| UNOC | <p>UN/ECE level C</p> <p>As defined in ISO 8859-1 : Information processing - Part 1: Latin alphabet No. 1.</p> |
| UNOD | <p>UN/ECE level D</p> <p>As defined in ISO 8859-2 : Information processing - Part 2: Latin alphabet No. 2.</p> |
| UNOE | <p>UN/ECE level E</p> <p>As defined in ISO 8859-5 : Information processing - Part 5: Latin/Cyrillic alphabet.</p> |
| UNOF | <p>UN/ECE level F</p> <p>As defined in ISO 8859-7 : Information processing - Part 7: Latin/Greek alphabet.</p> |
| UNOG | <p>UN/ECE level G</p> <p>As defined in ISO 8859-3 : Information processing - Part 3: Latin alphabet.</p> |
| UNOH | <p>UN/ECE level H</p> <p>As defined in ISO 8859-4 : Information processing - Part 4: Latin alphabet.</p> |
| UNOI | <p>UN/ECE level I</p> <p>As defined in ISO 8859-6 : Information processing - Part 6: Latin/Arabic alphabet.</p> |
| UNOJ | <p>UN/ECE level J</p> <p>As defined in ISO 8859-8 : Information processing - Part 8: Latin/Hebrew alphabet.</p> |
| UNOK | <p>UN/ECE level K</p> <p>As defined in ISO 8859-9 : Information processing - Part 9: Latin alphabet.</p> |

Used Codes

| | |
|-------------|---|
| UNOW | UN/ECE level W ISO 10646-1 octet with code extension technique to support UTF-8 (UCS Transformation Format, 8 bit) encoding. |
| UNOX | UN/ECE level X Code extension technique as defined by ISO 2022 utilising the escape techniques in accordance with ISO 2375. |
| UNOY | UN/ECE level Y ISO 10646-1 octet without code extension technique. |
| 0002 | Syntax version number Version number of the syntax. Notes: 1. Shall be '4' to indicate this version of the syntax. |
| 4 | Version 4 ISO 9735:1998. |
| 0007 | Identification code qualifier Qualifier referring to the identification code. Notes: 1. A qualifier code may refer to an organisation identification as in ISO 6523. |
| 14 | GS1 Partner identification code assigned by GS1, an international organization of GS1 Member Organizations that manages the GS1 System. |
| 0025 | Recipient reference/password qualifier Qualifier for the recipient's reference or password. Notes: 1. To be used as specified in the partners' interchange agreement. |
| AA | Reference Recipient's reference/password is a reference. |
| BB | Password Recipient's reference/password is a password. |
| 0029 | Processing priority code Code determined by the sender requesting processing priority for the interchange. Notes: 1. To be used as specified in the partners' interchange agreement. |

Used Codes

| | |
|-------------|---|
| A | Highest priority Requested processing priority is the highest. |
| 0031 | Acknowledgement request Code requesting acknowledgement for the interchange. Notes: 1. Used if the sender requests that a message related to syntactical correctness be sent by the recipient in response. 2. For UN/EDIFACT a specific message (Syntax and service report - CONTRL) is defined for this purpose. |
| 1 | Requested Acknowledgement is requested. |
| 0035 | Test indicator Indication that the structural level containing the test indicator is a test. |
| 1 | Interchange is a test Indicates that the interchange is a test. |
| 5 | Interchange is a service provider test Indicates that this interchange is a test with a service provider. |
| 0051 | Controlling agency, coded Code identifying a controlling agency. |
| UN | UN/CEFACT United Nations Centre for Trade Facilitation and Electronic Business (UN/CEFACT). GS1 Description: UN Economic Commission for Europe (UN/ECE), Committee on the development of trade (TRADE), Working Party on facilitation of international trade procedures (WP.4). |
| 0052 | Message version number Version number of a message type. |
| D | Draft version/UN/EDIFACT Directory Message approved and issued as a draft message (Valid for directories published after March 1993 and prior to March 1997). Message approved as a standard message (Valid for directories published after March 1997). |
| 0054 | Message release number Release number within the current message version number. |
| 01B | Release 2001 - B Message approved and issued in the second 2001 release of the UNTDID (United Nations Trade Data Interchange Directory). |

Used Codes

| | |
|-------------|---|
| 0057 | Association assigned code Code, assigned by the association responsible for the design and maintenance of the message type concerned, which further identifies the message. |
| EAN004 | GS1 version control number (GS1 Permanent Code) Indicates that the message is an EANCOM message in version 004. |
| 0065 | Message type Code identifying a type of message and assigned by its controlling agency. Notes: 1. In UNSMs (United Nations Standard Messages), the representation is a6. |
| IFCSUM | |
| 1001 | Document name code Code specifying the document name. |
| 1 | Certificate of analysis Certificate providing the values of an analysis. |
| 2 | Certificate of conformity Certificate certifying the conformity to predefined definitions. |
| 3 | Certificate of quality Certificate certifying the quality of goods, services etc. |
| 4 | Test report Report providing the results of a test session. |
| 9 | Price/sales catalogue A document/message to enable the transmission of information regarding pricing and catalogue details for goods and services offered by a seller to a buyer. |
| 10 | Party information Document/message providing basic data concerning a party. |
| 35 | Inventory report A message specifying information relating to held inventories. |
| 44 | Transport status report A message to report the transport status and/or change in the transport status (i.e. event) between agreed parties. |
| 46 | Banking status A banking status document and/or message. |
| 51 | Price/sales catalogue response A document providing a response to a previously sent price/sales catalogue. |

Used Codes

| | |
|-----|---|
| 54 | <p>Legal statement of an account A statement of an account containing the booked items as in the ledger of the account servicing financial institution.</p> |
| 55 | <p>Listing statement of an account A statement from the account servicing financial institution containing items pending to be booked.</p> |
| 56 | <p>Closing statement of an account Last statement of a period containing the interest calculation and the final balance of the last entry date.</p> |
| 67 | <p>Commercial dispute Document/message issued by a party (usually the buyer) to indicate that one or more invoices or one or more credit notes are disputed for payment.</p> |
| 77 | <p>Consignment status report Message covers information about the consignment status.</p> |
| 78 | <p>Inventory movement advice Advice of inventory movements.</p> |
| 82 | <p>Metered services invoice Document/message claiming payment for the supply of metered services (e.g., gas, electricity, etc.) supplied to a fixed meter whose consumption is measured over a period of time.</p> |
| 83 | <p>Credit note related to financial adjustments Document message for providing credit information related to financial adjustments to the relevant party, e.g., bonuses.</p> |
| 84 | <p>Debit note related to financial adjustments Document/message for providing debit information related to financial adjustments to the relevant party.</p> |
| 105 | <p>Purchase order Document/message issued within an enterprise to initiate the purchase of articles, materials or services required for the production or manufacture of goods to be offered for sale or otherwise supplied to customers.</p> |
| 130 | <p>Invoicing data sheet Document/message issued within an enterprise containing data about goods sold, to be used as the basis for the preparation of an invoice.</p> |
| 141 | <p>Advising items to be booked to a financial account A document and/or message advising of items which have to be booked to a financial account.</p> |
| 172 | <p>Authorisation to plan and suggest orders Document or message that authorises receiver to plan orders, based on information in this message, and send these orders as suggestions to the sender.</p> |

Used Codes

| | |
|-----|---|
| 173 | Authorisation to plan and ship orders Document or message that authorises receiver to plan and ship orders based on information in this message. |
| 174 | Drawing The document or message is a drawing. GS1 Description: A message used for the administration of the exchange of external objects. |
| 182 | Balance confirmation Confirmation of a balance at an entry date. |
| 213 | Request for financial cancellation The message is a request for financial cancellation. |
| 214 | Pre-authorized direct debit(s) The message contains pre-authorized direct debit(s). |
| 220 | Order Document/message by means of which a buyer initiates a transaction with a seller involving the supply of goods or services as specified, according to conditions set out in an offer, or otherwise known to the buyer. |
| 221 | Blanket order Usage of document/message for general order purposes with later split into quantities and delivery dates and maybe delivery locations. |
| 223 | Lease order Document/message for goods in leasing contracts. |
| 224 | Rush order Document/message for urgent ordering. |
| 225 | Repair order Document/message to order repair of goods. |
| 226 | Call off order Document/message to provide split quantities and delivery dates referring to a previous blanket order. |
| 227 | Consignment order Order to deliver goods into stock with agreement on payment when goods are sold out of this stock. |
| 230 | Purchase order change request Change to an purchase order already sent. |
| 231 | Purchase order response Response to an purchase order already received. |
| 236 | Delivery forecast A message which enables the transmission of delivery or product forecasting requirements. |

Used Codes

| | |
|-----|---|
| 237 | <p>Cross docking services order</p> <p>A document or message to order cross docking services.</p> <p>GS1 Description: An order requesting cross docking services for goods to be delivered to a retailer.</p> |
| 238 | <p>Non-pre-authorized direct debit(s)</p> <p>The message contains non-pre-authorized direct debit(s).</p> |
| 240 | <p>Delivery instructions</p> <p>Document/message issued by a buyer giving instructions regarding the details of the delivery of goods ordered.</p> <p>GS1 Description: A message from a party to another party who has control over ordered goods, providing instructions to despatch a consignment according to conditions specified in the message.</p> |
| 241 | <p>Delivery schedule</p> <p>Usage of DELFOR-message.</p> <p>GS1 Description: A message which enables the transmission of delivery scheduling or product forecasting requirements.</p> |
| 243 | <p>Pre-authorized direct debit request(s)</p> <p>The message contains pre-authorized direct debit request(s).</p> |
| 244 | <p>Non-pre-authorized direct debit request(s)</p> <p>The message contains non-pre-authorized direct debit request(s).</p> |
| 251 | <p>Inquiry</p> <p>This is a request for information.</p> <p>GS1 Description: A message enabling the sender to inquire on a product or a group of products from a master product catalogue or file according to criteria defined in the message.</p> |
| 252 | <p>Response to previous banking status message</p> <p>A response to a previously sent banking status message.</p> |
| 258 | <p>Standing order</p> <p>An order to supply fixed quantities of products at fixed regular intervals.</p> |
| 261 | <p>Self billed credit note</p> <p>A document which indicates that the customer is claiming credit in a self billing environment.</p> |
| 262 | <p>Consolidated credit note - goods and services</p> <p>Credit note for goods and services that covers multiple transactions involving more than one invoice.</p> |
| 263 | <p>Inventory adjustment status report</p> <p>A message detailing statuses related to the adjustment of inventory.</p> |

Used Codes

| | |
|-----|---|
| 270 | <p>Delivery note</p> <p>Paper document attached to a consignment informing the receiving party about contents of this consignment.</p> |
| 289 | <p>Product data message</p> <p>A message to submit master data, a set of data that is rarely changed, to identify and describe products a supplier offers to their (potential) customer or buyer.</p> <p>GS1 Description: A message between parties containing master data, to identify and describe products available for supply or for information purposes. This information of long validity does not include commercial terms and conditions but technical and functional product descriptions.</p> |
| 291 | <p>Delivery schedule response</p> <p>A message providing a response to a previously transmitted delivery schedule.</p> |
| 297 | <p>Instruction to collect</p> <p>A message instructing a party to collect goods.</p> |
| 305 | <p>Application error and acknowledgement</p> <p>A message to inform a message issuer that a previously sent message has been received by the addressee's application, or that a previously sent message has been rejected by the addressee's application.</p> |
| 308 | <p>Delcredere credit note</p> <p>A credit note sent to the party paying on behalf of a number of buyers.</p> |
| 310 | <p>Offer/quotation</p> <p>Document/message which , with a view to concluding a contract, sets out the conditions under which the goods are offered.</p> |
| 311 | <p>Request for quote</p> <p>Document/message requesting a quote on specified goods or services.</p> |
| 315 | <p>Contract</p> <p>Document/message evidencing an agreement between the seller and the buyer for the supply of goods or services; its effects are equivalent to those of an order followed by an acknowledgement of order.</p> |
| 325 | <p>Proforma invoice</p> <p>Document/message serving as a preliminary invoice, containing - on the whole - the same information as the final invoice, but not actually claiming payment.</p> |
| 335 | <p>Booking request</p> <p>Document/message issued by a supplier to a carrier requesting space to be reserved for a specified consignment, indicating desirable conveyance, despatch time, etc.</p> |
| 338 | <p>Items booked to a financial account report</p> <p>A message reporting items which have been booked to a financial account.</p> |

Used Codes

| | |
|-----|--|
| 340 | Shipping instructions Document/message advising details of cargo and exporter's requirements for its physical movement. |
| 341 | Shipper's letter of instructions (air) Document/message issued by a consignor in which he gives details of a consignment of goods that enables an airline or its agent to prepare an air waybill. |
| 342 | Report of transactions for information only A message reporting transactions for information only. |
| 345 | Ready for despatch advice Document/message issued by a supplier informing a buyer that goods ordered are ready for despatch. |
| 347 | Order status enquiry A message enquiring the status of previously sent orders. |
| 348 | Order status report A message reporting the status of previously sent orders. |
| 350 | Despatch order Document/message issued by a supplier initiating the despatch of goods to a buyer (consignee). |
| 351 | Despatch advice Document/message by means of which the seller or consignor informs the consignee about the despatch of goods. |
| 376 | Standing inquiry on product information A product inquiry which stands until it is cancelled. GS1 Description: An initial download and any future changes made to the data within the standing request is automatically sent to the buyer as they occur, until the standing request is cancelled. Notes: A standing product inquiry implies that the supplier will send both a one-time download and notification of all future changes to the requested trade item until the standing request is deleted. A standing product inquiry can only be modified by deleting the original request and initiating a new request. |
| 380 | Commercial invoice Document/message claiming payment for goods or services supplied under conditions agreed between seller and buyer. |
| 381 | Credit note - goods and services Document/message for providing credit information to the relevant party. |
| 382 | Commission note Document/message in which a seller specifies the amount of commission, the percentage of the invoice amount, or some other basis for the calculation of the commission to which a sales agent is entitled. |

Used Codes

| | |
|-----|--|
| 383 | Debit note - goods and services Document/message for providing debit information to the relevant party. |
| 384 | Corrected invoice Commercial invoice that includes revised information differing from an earlier submission of the same invoice. |
| 385 | Consolidated invoice Commercial invoice that covers multiple transactions involving more than one vendor. GS1 Description: Commercial invoice that covers multiple transactions involving more than one delivery. |
| 386 | Prepayment invoice An invoice to pay amounts for goods and services in advance; these amounts will be subtracted from the final invoice. |
| 388 | Tax invoice An invoice for tax purposes. |
| 389 | Self-billed invoice An invoice the invoicee is producing instead of the seller. |
| 390 | Delcredere invoice An invoice sent to the party paying for a number of buyers. |
| 393 | Factored invoice Invoice assigned to a third party for collection. |
| 397 | Commercial account summary response A document providing a response to a previously sent commercial account summary message. |
| 400 | Exceptional order An order which falls outside the framework of an agreement. GS1 Description: An order which falls outside the framework of an agreement or an order containing non-standard information. |
| 401 | Transshipment order An order requesting the supply of products packed according to the final delivery point which will be moved across a dock in a distribution centre without further handling. |
| 402 | Cross docking order An order requesting the supply of products which will be de-consolidated in the distribution centre and re-consolidated according to final delivery location. |
| 447 | Collection order Document/message whereby a bank is instructed (or requested) to handle financial and/or commercial documents in order to obtain acceptance and/or payment, or to deliver documents on such other terms and conditions as may be specified. |

Used Codes

| | |
|-----|---|
| 452 | Multiple payment order Document/message containing a payment order to debit one or more accounts and to credit one or more beneficiaries. |
| 481 | Remittance advice Document/message advising of the remittance of payment. |
| 493 | Statement of account message Usage of STATAC-message. |
| 527 | Self billed debit note A document which indicates that the customer is claiming debit in a self billing environment. |
| 610 | Forwarding instructions Document/message issued to a freight forwarder, giving instructions regarding the action to be taken by the forwarder for the forwarding of goods described therein. |
| 630 | Shipping note Document/message provided by the shipper or his agent to the carrier, multimodal transport operator, terminal or other receiving authority, giving information about export consignments offered for transport, and providing for the necessary receipts and declarations of liability. (Sometimes a multipurpose cargo handling document also fulfilling the functions of document 632, 633, 650 and 655). GS1 Description: Document/message provided by the shipper or his agent to the carrier, multimodal transport operator, terminal or other receiving authority, giving information about export consignments offered for transport, and providing for the necessary receipts and declarations of liability. |
| 632 | Goods receipt Document/message to acknowledge the receipt of goods and in addition may indicate receiving conditions. GS1 Description: Message addressing the business needs related to the goods receipt or advising discrepancies between despatched or ordered/planned goods. |
| 700 | Waybill Non-negotiable document evidencing the contract for the transport of cargo. |
| 701 | Universal (multipurpose) transport document Document/message evidencing a contract of carriage covering the movement of goods by any mode of transport, or combination of modes, for national as well as international transport, under any applicable international convention or national law and under the conditions of carriage of any carrier or transport operator undertaking or arranging the transport referred to in the document. |

Used Codes

| | |
|-----|---|
| 705 | <p>Bill of lading</p> <p>Negotiable document/message which evidences a contract of carriage by sea and the taking over or loading of goods by carrier, and by which carrier undertakes to deliver goods against surrender of the document. A provision in the document that goods are to be delivered to the order of a named person, or to order, or to bearer, constitutes such an undertaking.</p> |
| 706 | <p>Bill of lading original</p> <p>The original of the bill of lading issued by a transport company. When issued by the maritime industry it could signify ownership of the cargo.</p> |
| 707 | <p>Bill of lading copy</p> <p>A copy of the bill of lading issued by a transport company.</p> |
| 719 | <p>General message</p> <p>Document/message providing agreed textual information. GS1 Note: Replaces GS1 Temporary Code 14E.</p> |
| 720 | <p>Rail consignment note (generic term)</p> <p>Transport document constituting a contract for the carriage of goods between the sender and the carrier (the railway). For international rail traffic, this document must conform to the model prescribed by the international conventions concerning carriage of goods by rail, e.g. CIM Convention, SMGS Convention.</p> |
| 721 | <p>Product data response</p> <p>Document/message responding to a previously received Product Data document/message. GS1 Note: Replaces GS1 Temporary Code 1E.</p> |
| 725 | <p>Manufacturer raised order</p> <p>Document/message providing details of an order which has been raised by a manufacturer. GS1 Note: Replaces GS1 Temporary Code 22E.</p> |
| 726 | <p>Manufacturer raised consignment order</p> <p>Document/message providing details of a consignment order which has been raised by a manufacturer. GS1 Note: Replaces GS1 Temporary Code 23E.</p> |
| 727 | <p>Price/sales catalogue not containing commercial information</p> <p>A price/sales catalogue message containing no commercial such as prices, terms or conditions data. GS1 Note: Replaces GS1 Temporary Code 24E.</p> |
| 728 | <p>Price/sales catalogue containing commercial information</p> <p>A price/sales catalogue message including commercial such as prices, terms or conditions data. GS1 Note: Replaces GS1 Temporary Code 25E.</p> |
| 729 | <p>Returns advice</p> <p>Document/message by means of which the buyer informs the seller about the despatch of returned goods. GS1 Note: Replaces GS1 Temporary Code 35E.</p> |

Used Codes

| | |
|-----|--|
| 730 | <p>Road consignment note</p> <p>Transport document/message which evidences a contract between a carrier and a sender for the carriage of goods by road (generic term). Remark: For international road traffic, this document must contain at least the particulars prescribed by the convention on the contract for the international carriage of goods by road (CMR).</p> |
| 731 | <p>Commercial account summary</p> <p>A message enabling the transmission of commercial data concerning payments made and outstanding items on an account over a period of time. GS1 Note: Replaces GS1 Temporary Code 49E.</p> |
| 732 | <p>Announcement for returns</p> <p>A message by which a party announces to another party details of goods for return due to specified reasons (e.g. returns for repair, returns because of damage, etc). GS1 Note: Replaces GS1 Temporary Code 70E.</p> |
| 733 | <p>Instruction for returns</p> <p>A message by which a party informs another party whether and how goods shall be returned. GS1 Note: Replaces GS1 Temporary Code 71E.</p> |
| 734 | <p>Sales forecast report</p> <p>A message enabling companies to exchange or report electronically, basic sales forecast data related to products or services, including the corresponding location, time period, product identification, pricing and quantity information. It enables the recip. GS1 Note: Replaces GS1 Temporary Code 72E.</p> |
| 735 | <p>Sales data report</p> <p>A message enabling companies to exchange or report electronically, basic sales data related to products or services, including the corresponding location, time period, product identification, pricing and quantity information. It enables the recipient to process the information automatically and use it for production, marketing or statistical purposes. GS1 Note: Replaces GS1 Temporary Code 73E.</p> |
| 736 | <p>Standing inquiry on complete product information</p> <p>A product inquiry which stands until it is cancelled. It requests not only the updates since last time, but always the complete product information of a data supplier. This means that within the standing request every time a complete download of the respective data is automatically sent to the data inquirer.</p> |
| 737 | <p>Proof of delivery</p> <p>A message by which a consignee provides for a carrier proof of delivery of a consignment.</p> |
| 738 | <p>Cargo/goods handling and movement message</p> <p>A message from a party to a warehouse, distribution centre, or logistics service provider identifying the handling services and where required the movement of specified goods, limited to warehouses within the jurisdiction of the distribution centre or logistics service provider. GS1 Note: Replaces GS1 Temporary Code 90E.</p> |

Used Codes

| | |
|-----|--|
| 739 | <p>Metered services consumption report supporting an invoice Document/message providing metered consumption details supporting an invoice. GS1 Note: Replaces GS1 Temporary Code 94E.</p> |
| 740 | <p>Air waybill Document/message made out by or on behalf of the shipper which evidences the contract between the shipper and carrier(s) for carriage of goods over routes of the carrier(s) and which is identified by the airline prefix issuing the document plus a serial (IATA).</p> |
| 742 | <p>Metered services consumption report Document/message providing metered consumption details. GS1 Note: Replaces GS1 Temporary Code 99E.</p> |
| 747 | <p>Payroll deductions advice A message sent by a party (usually an employer or its representative) to a service providing organisation, to detail payroll deductions paid on behalf of its employees to the service providing organisation. GS1 Note: Replaces GS1 Temporary Code YA3.</p> |
| 748 | <p>Consignment despatch advice Document/message by means of which the supplier informs the buyer about the despatch of goods ordered on consignment (goods to be delivered into stock with agreement on payment when goods are sold out of this stock). GS1 Note: Replaces GS1 Temporary Code YA7.</p> |
| 763 | <p>Forwarder's certificate of transport Negotiable document/message issued by a forwarder to certify that he has taken charge of a specified consignment for despatch and delivery in accordance with the consignor's instructions, as indicated in the document, and that he accepts responsibility for delivery of the goods to the holder of the document through the intermediary of a delivery agent of his choice. E.g. FIATA-FCT.</p> |
| 770 | <p>Booking confirmation Document/message issued by a carrier to confirm that space has been reserved for a consignment in means of transport.</p> |
| 781 | <p>Arrival notice (goods) Notification from the carrier to the consignee in writing, by telephone or by any other means (express letter, message, telegram, etc.) informing him that a consignment addressed to him is being or will shortly be held at his disposal at a specified point in the place of destination.</p> |
| 811 | <p>Export licence Permit issued by a government authority permitting exportation of a specified commodity subject to specified conditions as quantity, country of destination, etc. Synonym: Embargo permit.</p> |
| 821 | <p>Despatch note model T1 Transit declaration for goods circulating under internal community transit procedures (between European Union (EU) countries).</p> |

Used Codes

| | |
|-----|--|
| 822 | Despatch note model T2 Ascertainment that the declared goods were originally produced in an European Union (EU) country. |
| 830 | Goods declaration for exportation Document/message by which goods are declared for export Customs clearance, conforming to the layout key set out at Appendix I to Annex C.1 concerning outright exportation to the Kyoto convention (CCC). Within a Customs union, "for despatch" may have the same meaning as "for exportation". |
| 852 | Sanitary certificate Document/message issued by the competent authority in the exporting country evidencing that alimentary and animal products, including dead animals, are fit for human consumption, and giving details, when relevant, of controls undertaken. |
| 861 | Certificate of origin Document/message identifying goods, in which the authority or body authorized to issue it certifies expressly that the goods to which the certificate relates originate in a specific country. The word "country" may include a group of countries, a region or a part of a country. This certificate may also include a declaration by the manufacturer, producer, supplier, exporter or other competent person. |
| 890 | Dangerous goods declaration Document/message issued by a consignor in accordance with applicable conventions or regulations, describing hazardous goods or materials for transport purposes, and stating that the latter have been packed and labelled in accordance with the provisions of the relevant conventions or regulations. |
| 898 | Pre-packed cross docking consignment order A consignment order requesting the supply of products packed according to the final delivery point which will be moved across a dock in a distribution centre without further handling. GS1 Note: replaces YD1 (GS1 Temporary code) |
| 910 | Import licence, application for Document/message in which an interested party applies to the competent body for authorization to import either a limited quantity of articles subject to import restrictions, or an unlimited quantity of such articles during a limited period, and specifies the kind of articles, their origin and value, etc. |
| 911 | Import licence Document/message issued by the competent body in accordance with import regulations in force, by which authorization is granted to a named party to import either a limited quantity of designated articles or an unlimited quantity of such articles during a limited period, under conditions specified in the document. |
| 938 | Tax declaration (general) Document/message containing a general tax declaration. |

Used Codes

| | |
|-----|--|
| 951 | <p>TIF forms</p> <p>International Customs transit document by which the sender declares goods for carriage by rail in accordance with the provisions of the 1952 International Convention to facilitate the crossing of frontiers for goods carried by rail (TIF Convention of UIC).</p> |
| 952 | <p>TIR Carnet</p> <p>International Customs document (International Transit by Road), issued by a guaranteeing association approved by the Customs authorities, under the cover of which goods are carried, in most cases under Customs seal, in road vehicles and/or containers in compliance with the requirements of the Customs TIR Convention of the International Transport of Goods under cover of TIR Carnets (UN/ECE).</p> |
| 954 | <p>EUR 1 certificate of origin</p> <p>Undefined Section</p> <p>Customs certificate used in preferential goods interchanges between EC countries and EC external countries.</p> |
| 991 | <p>Government contract</p> <p>Document/message describing a contract with a government authority.</p> |
| 14E | <p>General message (GS1 Temporary Code)</p> <p>Document/message providing agreed textual information.</p> <p>GS1 Note: Code marked for deletion. Use value 719 instead.</p> |
| 1E | <p>Product data response (GS1 Temporary Code)</p> <p>A message responding to a previously received Product Data message.</p> <p>GS1 Note: Code marked for deletion. Use value 721 instead.</p> |
| 22B | <p>Order for retained approval copies (GS1 Temporary Code)</p> <p>Description to be provided.</p> <p>GS1 Note: Code marked for deletion.</p> |
| 22E | <p>Manufacturer raised order (GS1 Temporary Code)</p> <p>Document/message providing details of an order which has been raised by a manufacturer.</p> <p>GS1 Note: Code marked for deletion. Use value 725 instead.</p> |
| 23E | <p>Manufacturer raised consignment order (GS1 Temporary Code)</p> <p>Document/message providing details of a consignment order which has been raised by a manufacturer.</p> <p>GS1 Note: Code marked for deletion. Use value 726 instead.</p> |
| 24E | <p>Price/sales catalogue not containing pricing information (GS1 Temporary Code)</p> <p>A price/sales catalogue message containing no commercial terms or conditions data.</p> <p>GS1 Note: Code marked for deletion. Use value 727 instead.</p> |
| 25E | <p>Price/sales catalogue containing pricing information (GS1 Temporary Code)</p> <p>A price/sales catalogue message containing only commercial terms or conditions data.</p> <p>GS1 Note: Code marked for deletion. Use value 728 instead.</p> |

Used Codes

| | |
|-----|--|
| 26E | <p>Consignment issue (GS1 Permanent Code)</p> <p>Document/message providing details of a consignment issue which has been raised by a buyer.</p> |
| 27E | <p>Release Order (GS1 Permanent Code)</p> <p>Document/message providing ability for buyer to send out a "Release Order" according to a blanket order previously sent through.</p> |
| 2E | <p>Data distribution profile (GS1 Temporary Code)</p> <p>Message containing instructions on the distribution of data stored in a database.</p> |
| 31B | <p>Quote used for bookseller's new title notices (GS1 Temporary Code)</p> <p>A quotation raised by a bookseller as a way of informing prospective buyers of new titles.</p> |
| 35E | <p>Returns advice (GS1 Temporary Code)</p> <p>Document/message by means of which the buyer informs the seller about the despatch or impending despatch of returned goods. GS1 Note: Code marked for deletion. Use value 729 instead.</p> |
| 49E | <p>Commercial account summary (GS1 Temporary Code)</p> <p>A message enabling the transmission of commercial data concerning payments made and outstanding items on an account over a period of time. GS1 Note: Code marked for deletion. Use value 731 instead.</p> |
| 70E | <p>Announcement for returns (GS1 Temporary Code)</p> <p>A message by which a party announces to another party details of goods for return due to specified reasons (e.g. returns for repair, returns because of damage, etc). GS1 Note: Code marked for deletion. Use value 732 instead.</p> |
| 71E | <p>Instruction for returns (GS1 Temporary Code)</p> <p>A message by which a party informs another party whether and how goods shall be returned. GS1 Note: Code marked for deletion. Use value 733 instead.</p> |
| 72E | <p>Sales forecast report (GS1 Temporary Code)</p> <p>A message enabling companies to exchange or report electronically, basic sales forecast data related to products or services, including the corresponding location, time period, product identification, pricing and quantity information. It enables the recipient to process the information automatically and use it for production, planning, marketing or statistical purposes. GS1 Note: Code marked for deletion. Use value 734 instead.</p> |
| 73E | <p>Sales data report (GS1 Temporary Code)</p> <p>A message enabling companies to exchange or report electronically, basic sales data related to products or services, including the corresponding location, time period, product identification, pricing and quantity information. It enables the recipient to process the information automatically and use it for production, marketing or statistical purposes. GS1 Note: Code marked for deletion. Use value 735 instead.</p> |

Used Codes

| | |
|-----|--|
| 76C | <p>Standing inquiry on complete product information (GS1 Temporary Code)</p> <p>A product inquiry which stands until it is cancelled. It requests not only the updates since last time, but always the complete product information of a data supplier. This means that within the standing request every time a complete download of the respective data is automatically sent to the datainquirer.</p> <p>GS1 Note: Code marked for deletion. Use value 736 instead.</p> |
| 78E | <p>Proof of delivery (GS1 Temporary Code)</p> <p>A message by which a consignee provides for a carrier proof of delivery of a consignment.</p> <p>GS1 Note: Code marked for deletion. Use value 737 instead.</p> |
| 90E | <p>Cargo/goods handling and movement message (GS1 Temporary Code)</p> <p>A message from a party to a warehouse, distribution centre, or logistics service provider identifying the handling services and where required the movement of specified goods, limited to warehouses within the jurisdiction of the distribution centre or logistics service provider.</p> <p>GS1 Note: Code marked for deletion. Use value 738 instead.</p> |
| 94E | <p>Metered services consumption report invoice support (GS1 Temporary Code)</p> <p>A Metered Services Consumption Report is a communication between trading parties, or their agents, providing consumption and where required associated technical information at a location(s) for a product(s) or service(s) where the supply is recorded using a meter(s) to support information contained in commercial invoices.</p> <p>GS1 Note: Code marked for deletion. Use value 739 instead.</p> |
| 99E | <p>Metered services consumption report (GS1 Temporary Code)</p> <p>A Metered Services Consumption Report is a communication between trading parties, or their agents, providing consumption and where required associated technical information at a location(s) for a product(s) or service(s) where the supply is recorded using a meter(s).</p> <p>GS1 Note: Code marked for deletion. Use value 742 instead.</p> |
| YA3 | <p>Payroll deductions advice (GS1 Temporary Code)</p> <p>A message sent by a party (usually an employer or its representative) to a service providing organisation, to detail payroll deductions paid on behalf of its employees to the service providing organisation.</p> <p>GS1 Note: Code marked for deletion. Use value 747 instead.</p> |
| YA5 | <p>Intermediate handling cross docking despatch advice (GS1 Temporary Code)</p> <p>Document by means of which the supplier or consignor informs the buyer, consignee or the distribution centre about the despatch of goods needing intermediate handling.</p> |
| YA6 | <p>Pre-packed cross docking [transshipment] despatch advice (GS1 Temporary Code)</p> <p>Document by means of which the supplier or consignor informs the buyer, consignee or distribution centre about the despatch of pre-packed goods.</p> |

Used Codes

| | |
|-----|---|
| YA7 | <p>Consignment despatch advice (GS1 Temporary Code)</p> <p>Document/message by means of which the supplier informs the buyer about the despatch of goods ordered on consignment (goods to be delivered into stock with agreement on payment when goods are sold out of this stock). GS1 Note: Code marked for deletion. Use value 748 instead.</p> |
| YB3 | <p>Ready for transshipment despatch advice (GS1 Temporary Code)</p> <p>Document/message by means of which the supplier or consignor informs the buyer, consignee or the distribution center that the goods ordered are ready for transshipment.</p> |
| YB4 | <p>Media campaign document (GS1 Temporary Code)</p> <p>Document providing the details of a media campaign</p> |
| YB5 | <p>Product Marketing document, detailed (GS1 Temporary Code)</p> <p>Marketing document providing a detailed functional description of a product or goods/services.</p> |
| YB6 | <p>Product Marketing document, concise (GS1 Temporary Code)</p> <p>Marketing document providing a concise functional description of a product or goods/services.</p> |
| YB7 | <p>Self billed debit note correction (GS1 Temporary Code)</p> <p>Debit note message that includes revised information differing from an earlier submission of the same debit note in a self billing environment.</p> |
| YB8 | <p>Debit note correction (GS1 Temporary Code)</p> <p>Debit note message that includes revised information differing from an earlier submission of the same debit note.</p> |
| YC1 | <p>Consumer pickup order (GS1 Permanent Code)</p> <p>Consumer order with pickup at store.</p> |
| YC2 | <p>Consumer home delivery order (GS1 Permanent Code)</p> <p>Consumer order with home delivery.</p> |
| YC3 | <p>Consumer pickup delivery note (GS1 Permanent Code)</p> <p>Despatch advice for a consumer order with pickup at store.</p> |
| YC4 | <p>Consumer home delivery note (GS1 Permanent Code)</p> <p>Despatch advice for a consumer order with home delivery.</p> |
| YD1 | <p>Pre-packed cross docking consignment order (GS1 Temporary Code)</p> <p>A consignment order requesting the supply of products packed according to the final delivery point which will be moved across a dock in a distribution centre without further handling. GS1 Note: Code marked for deletion. Use value 898 instead.</p> |

Used Codes

| | |
|-------------|---|
| 1131 | Code list identification code Code identifying a user or association maintained code list. Notes: 1. The codes for this data element are provided by the code list responsible agency defined in data element 3055. |
| 23 | Clearing house automated payment Self explanatory. Notes: This code value will be removed effective with directory D.04A. GS1 Description: Banking community' automated payment clearing system. |
| 25 | Bank identification Code for identification of banks. Notes: This code value will be removed effective with directory D.04A. |
| 106 | Incoterms 1980 (4110) Code to indicate applicable Incoterm (1980 edition) under which seller undertakes to deliver merchandise to buyer (ICC). Incoterms 1990: use 4053 only. Notes: This code value will be removed effective with directory D.04A. |
| 132 | Charge Identification of a type of charge. Notes: This code value will be removed effective with directory D.04A. |
| 154 | Bank branch sorting identification Identification of a specific branch of a bank. Notes: This code value will be removed effective with directory D.04A. |
| 157 | Clearing code Identification of the responsible bank/clearing house which has cleared or is ordered to do the clearing. Notes: This code value will be removed effective with directory D.04A. |
| 166 | Social security identification Code assigned by the authority competent to issue social security identification to identify a person. Notes: This code value will be removed effective with directory D.04A. |

Used Codes

| | |
|-----|---|
| 174 | <p>Citizen identification Self explanatory.</p> <p>Notes: This code value will be removed effective with directory D.04A.</p> <p>GS1 Description: Code issued by national authority competent to issue citizen identification to identify a person.</p> |
| 1E | <p>Incoterms 1990 (GS1 Temporary Code) Incoterms 1990 as published by the International Chamber of Commerce (ICC).</p> |
| 2E | <p>Incoterms 2000 (GS1 Temporary Code) Incoterms 2000 as published by the International Chamber of Commerce (ICC).</p> |
| 3E | <p>Incoterms 2010 (GS1 Temporary Code) Incoterms 2010 as published by the International Chamber of Commerce (ICC).</p> |
| ADR | <p>Accord European au transport international dangereuses (GS1 Temporary Code) A European agreement concerning the international carriage of dangerous goods by road.</p> |
| BR | <p>Brand (GS1 Temporary Code) An identifying mark or label on the products of a particular company, or the kind or make of a commodity.</p> |
| CA | <p>Category (GS1 Temporary Code) A class or division in a scheme of classification.</p> |
| CO | <p>Colour (GS1 Temporary Code) Description of the colour required/available on the goods.</p> |
| FL | <p>Flavor (GS1 Temporary Code) The characteristic quality of goods.</p> |
| HMT | <p>Hazardous material standard text (GS1 Temporary Code) Code indicating agreed standard text on hazardous materials.</p> |
| LOC | <p>Location Code (GS1 Temporary Code) This is a code to indicate where the EAS tag is located on the Trade Item. Values include On outside of Trade Item, Concealed inside Trade Item, Integrated Inside Trade Item.</p> |
| OAG | <p>Organic Claim Agency (GS1 Temporary Code) A governing body that creates and maintain standards related to organic products.</p> |
| OCO | <p>Organic Trade Item Code (GS1 Temporary Code) Used to indicate the organic status of a trade item or of one or more of its components.</p> |

Used Codes

| | |
|-----|--|
| OUM | Ordering unit of measure (GS1 Temporary Code) The alternate Unit of Measure of how Trade Items are ordered by the Retailer under one Unit of Measure, but sold under another Unit of Measure. |
| SKB | SKRS recommendation (GS1 Temporary Code) SKRS recommendation for standard clothes hanger. |
| SRN | Service relation number (GS1 Temporary Code) A number used to identify a database entry which records recurring services, e.g., treatment of a patient in a hospital, usage by a member of a library facilities, etc. |
| ST | Style (GS1 Temporary Code) Specific or characteristic design in any goods. |
| SUM | Selling unit of measure (GS1 Temporary Code) Describes the measurement used for selling unit of the Trade Item to the end consumer. |
| SZ | Size (GS1 Temporary Code) Any of a series of graded classifications of measure into which goods are divided. |
| SZG | Size Group (GS1 Temporary Code) A description of the variable size that is necessary to uniquely specify the size of the item in conjunction with the nonpackaged size dimension. |
| TYP | Type Code (GS1 Temporary Code) This is a code to indicate the type of EAS tag located on the Trade Item. Values include Acousto-Magnetic, Electro-Magnetic, Ink or dye, Microwave, Radio Frequency. |
| X11 | Diet Allergen (GS1 Temporary Code) Indication of which dietary or allergen marks that are on the package. |
| X12 | Environment (GS1 Temporary Code) Indication of which environmental marks (e.g. recycling schemes) that are on trade item package. |
| X13 | Ethical (GS1 Temporary Code) Indication of which ethical trading marks that are on the package. |
| X14 | Free Form (GS1 Temporary Code) Indication of which free-from marks that are on the package. |
| X15 | Expiration date (GS1 Temporary Code) Indicates the type of expiration date marked on the packaging. |
| X16 | Nesting Direction (GS1 Temporary Code) Depicts the arrangement of two items that nest together specifically whether they nest against each other or on top of each other. |
| X17 | Package Marks Hygienic (GS1 Temporary Code) Indication of which hygiene markings are present in the product package |

Used Codes

| | |
|-----|---|
| X18 | <p>Hazardous Components are Removable (GS1 Temporary Code)</p> <p>An indicator if any hazardous components contained within the trade item can easily be separated from the other materials to facilitate product recycling.</p> |
| X19 | <p>Trade Item Has Refuse Obligations (GS1 Temporary Code)</p> <p>Indicates if there are special disposal obligations that apply to the trade item for example INTRASTAT.</p> |
| X20 | <p>Trade Item Is Designed for Easy Disassembly (GS1 Temporary Code)</p> <p>Indicates that the trade item is designed for easy disassembly by recycling facilities using standard industry tools.</p> |
| X21 | <p>Trade Item Is Rigid Plastic Packaging Container (GS1 Temporary Code)</p> <p>Indicates that a product is or is contained in a Rigid Plastic Packaging Container (RPPC) as defined by laws in the target market.</p> |
| X22 | <p>Trade Item Is ROHS Compliant (GS1 Temporary Code)</p> <p>Indicates if the product is compliant with the European Union RoHS Directive.</p> |
| X23 | <p>Trade Item Is Universal Waste (GS1 Temporary Code)</p> <p>Indicates if a product can be considered universal waste.</p> |
| X24 | <p>Trade Item Is Consumer Upgradeable Or Maintainable (GS1 Temporary Code)</p> <p>Indicates if a product can be easily upgraded or have parts replaced by the consumer.</p> |
| X25 | <p>Trade Item Contains Short Chain Chlorinated Paraffins (GS1 Temporary Code)</p> <p>Indicate if the trade item and/or its components contain paints, coatings, plastics or other materials containing short chain chlorinated paraffins (SCCPs).</p> |
| X26 | <p>Trade Item Contains Pesticide (GS1 Temporary Code)</p> <p>Indicates if the trade item is advertised or labelled as a chemical or contains a chemical that is advertised or labelled to kill, repel or prevent the growth of any living organism.</p> |
| X27 | <p>Trade Item Contains Propellant (GS1 Temporary Code)</p> <p>Indicates if a trade item contains a compressed gas or propellant.</p> |
| X28 | <p>Trade Item Contains Polyvinyl Chloride (GS1 Temporary Code)</p> <p>Indicate if product contains Polyvinyl Chloride (PVC), a widely used thermoplastic polymer.</p> |
| X29 | <p>Trade Item Chemical Is Not Intended For Human Consumption (GS1 Temporary Code)</p> <p>Indicates that the trade item is or contains a Liquid, Gel, Paste, Powder, or Flammable solid not intended for human consumption (ingested).</p> |
| X30 | <p>ROHS Compliance Failure Material (GS1 Temporary Code)</p> <p>The material used in the trade item that does not comply with the ROHS Directives</p> |

Used Codes

| | |
|-----|---|
| X31 | <p>Packaging Terms And Condition (GS1 Temporary Code)</p> <p>Indicates if the packaging given in the described packaging configuration is a rented, exchangeable, against deposit or one way/not reusable.</p> |
| X32 | <p>Warranty Effective Date Type (GS1 Temporary Code)</p> <p>The type of date associated with the warranty trade item usually expressed as an event date for the item for example date of purchase, date of manufacture or date of delivery.</p> |
| X33 | <p>Warranty Type (GS1 Temporary Code)</p> <p>Type of warranty available for the part, e.g. labour, distance, extended service.</p> |
| X35 | <p>Warranty Constraint (GS1 Temporary Code)</p> <p>Defines the relationship between different guarantee terms, e.g. "and", "or", "the stronger", "the weaker".</p> |
| X36 | <p>Seasonal Availability End Date (GS1 Temporary Code)</p> <p>Indicates the end date of the trade item's seasonal availability.</p> |
| X37 | <p>Seasonal Availability Start Date (GS1 Temporary Code)</p> <p>Indicates the start date of the trade item's seasonal availability.</p> |
| X38 | <p>Season Calendar Year (GS1 Temporary Code)</p> <p>This element indicates the calendar year in which the trade item is seasonally available.</p> |
| X39 | <p>Season Parameter (GS1 Temporary Code)</p> <p>Indication of the season, in which the trade item is available.</p> |
| X40 | <p>Trade Item Automatic Power Down is Enabled (GS1 Temporary Code)</p> <p>An indicator whether a product is enabled with auto power down feature when shipped to the customer.</p> |
| X41 | <p>Electrical Usage Agency Code (GS1 Temporary Code)</p> <p>The agency that regulates electrical usage for products within a target market.</p> |
| X42 | <p>Nesting Type (GS1 Temporary Code)</p> <p>Depicts whether a nested item fits inside or over the other item in a nesting relationship.</p> |
| X43 | <p>Display Dimension Type Code (GS1 Temporary Code)</p> <p>Depicts certain display scenarios used for measurement.</p> |
| X44 | <p>Manufacturer Has Take Back Program (GS1 Temporary Code)</p> <p>Indicates if the manufacturer of the trade item offers any take back programs to consumers for the product to be reused, remanufactured or recycled by the manufacturer.</p> |
| X45 | <p>Display Resolution (GS1 Temporary Code)</p> <p>The display resolution of a television or computer display.</p> |
| X46 | <p>Orientation Preference Sequence (GS1 Temporary Code)</p> <p>Depicts the preferred sequence of orientation used to communicate the manufacturers relative preferences of orientation.</p> |

Used Codes

| | |
|-----|---|
| X47 | Orientation Type (GS1 Temporary Code) Depicts via code a display orientation for a trade item. |
| X48 | Electrical Usage Trade Item Classification Code (GS1 Temporary Code) A classification code value from a product classification scheme provided to drive required information for electrical usage. |
| X49 | Electrical Usage Trade Item Classification Name (GS1 Temporary Code) A classification name from a product classification scheme provided to drive required information for electrical usage. |
| X50 | Electrical Usage SubClassification Code (GS1 Temporary Code) A sub-classification code value from a product classification scheme provided to drive required information for electrical usage. |
| X51 | Electrical Usage SubClassification Name (GS1 Temporary Code) A sub-classification name provided to drive required information for electrical usage. |
| X52 | Confirmation Status Code (GS1 Temporary Code) The CIC Confirmation Code must be of a type of code number that can be generated automatically by a computer system. |
| X53 | Confirmation Status Code Description (GS1 Temporary Code) Provides the code description that matches up with the Code that can possibly be generated automatically by a computer system. |
| X54 | Additional Confirmation Status Description (GS1 Temporary Code) Provides a way to communicate human entered information that may not be covered by the machine to machine codes and descriptions. |
| X55 | Corrective Action (GS1 Temporary Code) Provides the corrective action code to fix the issue that caused the problem. |
| X56 | Expected Corrective Information (GS1 Temporary Code) Provides the expected corrective information via a human entered information that may not be covered by the machine to machine codes. |
| X57 | Electrical Usage Trade Item Classification Agency (GS1 Temporary Code) A classification agency or organisation whose product classification scheme is being provided to drive required information for electrical usage. |
| X58 | ASFIS (GS1 Permanent Code) FAO alph-3 code list for fish species identification, commercial name & scientific name. |
| X59 | FAO fishing areas (GS1 Permanent Code) FAO fishing areas codelist. |
| X60 | FAO Fishing gear type (GS1 Permanent Code) FAO Fishing gear type codelist. |
| X61 | EU fish quality (GS1 Permanent Code) EU fish quality grade code list (E, A, B, C). |

Used Codes

| | |
|-------------|--|
| X62 | EU fish size (GS1 Permanent Code) EU fish standardized size code list (1, 2, 3, 4, 5 & One_Size). |
| X63 | EU fish presentation (GS1 Permanent Code) EU fish presentation code list (3 or 5 char alpha code). |
| ZZZ | Mutually defined Self explanatory. Note : This code value will be removed effective with directory D.04A. |
| 1153 | Reference code qualifier Code qualifying a reference. |
| AAB | Proforma invoice number [1088] Reference number assigned by the seller to a Proforma Invoice. |
| AAC | Documentary credit number [1172] Reference number assigned by issuing bank to a Documentary credit. |
| AAF | Debit card number A reference number identifying a debit card. |
| AAG | Offer or quotation number Reference number assigned by issuing party to an offer. |
| AAJ | Delivery order number Reference number assigned by issuer to a delivery order. |
| AAK | Despatch advice number Reference number assigned by issuing party to a despatch advice. |
| AAL | Drawing number Reference number identifying a specific product drawing. |
| AAM | Waybill number Reference number assigned to a waybill, see: 1001 = 700. |
| AAN | Delivery schedule number Reference number assigned by buyer to a delivery schedule. |
| AAO | Consignee's shipment reference number [1362] Reference assigned by the consignee to a shipment. |
| AAQ | Unit load device (e.g. container) identification number [8260] Marks (letters and/or numbers) which identify a unit load device e.g. freight container. |
| AAS | Transport document number [1188] Reference assigned by the carrier or his agent to the transport document. |
| AAT | Master label number Identifies the master label number of any package type. |

Used Codes

| | |
|-----|---|
| AAU | Despatch note number [1128] Reference number assigned by the seller to a Despatch Note. |
| ABD | Customs tariff number (7357) Code number of the goods in accordance with the tariff nomenclature system of classification in use where the Customs declaration is made. |
| ABE | Declarant's reference number Unique reference number assigned to a document or a message by the declarant for identification purposes. |
| ABO | Originator's reference A unique reference assigned by the originator. |
| ABP | Declarant's Customs identity number Reference to the party whose posted bond or security is being declared in order to accept responsibility for a goods declaration and the applicable duties and taxes. |
| ABQ | Importer reference number Reference number assigned by the importer to identify a particular shipment for his own purposes. |
| ABT | Customs declaration number [1426] Number, assigned or accepted by Customs, to identify a Goods declaration. |
| ACD | Additional reference number Reference number provided in addition to another given reference. |
| ACE | Related document number Reference number identifying a related document. |
| ACK | Bank reference Cross reference issued by financial institution. |
| ACL | Principal reference number A number that identifies the principal reference. |
| ACW | Reference number to previous message Reference number assigned to the message which was previously issued (e.g. in the case of a cancellation, the primary reference of the message to be cancelled will be quoted in this element). |
| ACX | Banker's acceptance Reference number for banker's acceptance issued by the accepting financial institution. |
| ADB | Matured certificate of deposit Reference number for certificate of deposit allocated by issuing financial institution. |
| ADC | Loan Reference number for loan allocated by lending financial institution. |

Used Codes

| | |
|-----|---|
| ADD | Analysis number/test number Number given to a specific analysis or test operation. |
| ADE | Account number Identification number of an account. |
| AE | Authorization for expense (AFE) number A number that identifies an authorization for expense (AFE). GS1 Description: A number providing authorization for a party to incur an expense. |
| AEK | Payment order number A number that identifies a payment order. |
| AER | Project specification number Reference number identifying a project specification. |
| AES | Primary reference A number that identifies the primary reference. |
| AFO | Beneficiary's reference Reference of the beneficiary. |
| AFS | Beneficiary's bank reference Reference number of the beneficiary's bank. |
| AGA | Agreement to pay number A number that identifies an agreement to pay. GS1 Description: A reference number guaranteeing a payment. |
| AGB | Contract party reference number Reference number assigned to a party for a particular contract. |
| AGG | Dispute number Reference number to a dispute notice. GS1 Description: A reference number identifying a previously transmitted commercial dispute. |
| AGT | Service group identification number Identification used for a group of services. |
| AGW | Scheme/plan number Reference number assigned to a service scheme or plan. |
| AHJ | Payee's reference number Reference number of the party to be paid. |
| AHL | Creditor's reference number Reference number of the party to whom a debt is owed. |
| AHM | Debtor's reference number Reference number of the party who owes an amount of money. |

Used Codes

| | |
|-----|---|
| AHU | Request for quote number Reference number assigned by the requestor to a request for quote. |
| AID | Certificate of conformity Certificate certifying the conformity to predefined definitions. |
| AIJ | Customer's individual transaction reference number Customer's reference number allocated by the customer to one specific transaction. |
| AIK | Bank's individual transaction reference number Bank's reference number allocated by the bank to one specific transaction. |
| AIZ | Consolidated invoice number Invoice number into which other invoices are consolidated. |
| AJS | Agreement number A number specifying an agreement between parties. |
| AJT | Standard Industry Classification (SIC) number A number specifying a standard industry classification. |
| AKJ | Direct debit reference Reference number assigned to the direct debit operation. |
| AKM | Replenishment purchase order range start number Starting number of a range of purchase order numbers assigned by the buyer to vendor's replenishment orders. |
| AKO | Action authorization number A reference number authorizing an action. |
| ALK | Consignee's invoice number The invoice number assigned by a consignee. |
| ALL | Message batch number A number identifying a batch of messages. |
| ALM | Previous delivery schedule number A reference number identifying a previous delivery schedule. |
| ALN | Physical inventory recount reference number A reference to a re-count of physically held inventory. |
| ALO | Receiving advice number A reference number to a receiving advice. |
| ALP | Returnable container reference number A reference number identifying a returnable container. |
| ALQ | Returns notice number A reference number to a returns notice. |

Used Codes

| | |
|-----|--|
| ALR | Sales forecast number A reference number identifying a sales forecast. |
| ALS | Sales report number A reference number identifying a sales report. |
| ALT | Previous tax control number A reference number identifying a previous tax control number. GS1 Description: A reference number identifying a previous Tax Control (TAXCON) message number. |
| ALV | Registered capital reference Registered capital reference of a company. |
| AML | Replenishment purchase order range end number Ending number of a range of purchase order numbers assigned by the buyer to vendor's replenishment orders. |
| AMT | Goods and Services Tax identification number An identification number assigned to an organization collecting Goods and Services Taxes (GST). |
| ANJ | Authorization number A number which uniquely identifies an authorization. |
| ANL | Deposit reference number A reference number identifying a deposit. GS1 Description: A reference number identifying a physical deposit made to a financial account by a party through the bank branch network. |
| ANX | Clearing reference Reference allocated by a clearing procedure. |
| ANZ | Direct debit reference Reference of the direct debit. Notes: This code value will be removed effective with directory D.02A. |
| AOA | Documentary payment reference Reference of the documentary payment. |
| AP | Accounts receivable number Reference number assigned by accounts receivable department to the account of a specific debtor. |
| APF | Price/sales catalogue response reference number A reference number identifying a response to a price/sales catalogue. |
| APG | General purpose message reference number A reference number identifying a general purpose message. EDIFACT |

Used Codes

| | |
|-----|--|
| APH | Invoicing data sheet reference number A reference number identifying an invoicing data sheet. |
| API | Inventory report reference number A reference number identifying an inventory report. |
| APQ | Commercial account summary reference number A reference number identifying a commercial account summary. |
| AQQ | Activite Principale Exercee (APE) identifier The French industry code for the main activity of a company. |
| AQS | Nomenclature Activity Classification Economy (NACE) identifier A European industry classification code used to identify the activity of a company. |
| ARZ | Stock adjustment number A number identifying a stock adjustment. |
| ASE | Duty free products security number A security number allocated for duty free products. |
| ASF | Duty free products receipt authorisation number Authorisation number allocated for the receipt of duty free products. |
| ASG | Party information message reference Reference identifying a party information message. |
| ASI | Proof of delivery reference number A reference number identifying a proof of delivery which is generated by the goods recipient. |
| ASJ | Supplier's credit claim reference number A reference number identifying a supplier's credit claim. |
| ASK | Picture of actual product Reference identifying the picture of an actual product. |
| ASL | Picture of a generic product Reference identifying a picture of a generic product. |
| ASO | Password Code used for authentication purposes. |
| ASV | Product data file number The number of a product data file. |
| ATB | Purchase for export Customs agreement number A number assigned by a Customs authority allowing the purchase of goods free of tax because they are to be exported immediately after the purchase. EDIFACT |
| AUB | Party reference The reference to a party |

Used Codes

| | |
|-----|---|
| AUD | Collection reference A reference identifying a collection. |
| AUG | Importer's letter of credit reference Letter of credit reference issued by importer. |
| AUJ | Proposed purchase order reference number A reference number assigned to a proposed purchase order. |
| AUK | Application for financial support reference number Reference number assigned to an application for financial support. |
| AUL | Manufacturing quality agreement number Reference number of a manufacturing quality agreement. |
| AUQ | Customs binding ruling number Binding ruling number issued by customs. |
| AUR | Customs non-binding ruling number Non-binding ruling number issued by customs. |
| AUY | International Standard Industrial Classification (ISIC) code A code specifying an international standard industrial classification. |
| AUZ | Customs pre-approval ruling number Pre-approval ruling number issued by Customs. |
| AVB | Product characteristics directory A reference to a product characteristics directory. EDIFACT |
| AVD | Inventory report request number A reference to a product characteristics directory. EDIFACT |
| AVG | Slaughterhouse approval number Veterinary licence number allocated by a national authority to a Slaughterhouse. EDIFACT |
| AVH | Meat cutting plant approval number Veterinary licence number allocated by a national authority to a meat cutting plant. EDIFACT |
| AVQ | Place of packing approval number Approval Number of the place where goods are packaged. Approval number of the place where goods are packaged. In the meat sector, some additional information is required for traceability purposes: cutting party, slaughterhouse, .. |
| AVS | Mandate Reference Reference to a specific mandate given by the relevant party for underlying business or action. |

Used Codes

| | |
|-----|---|
| AWB | Air waybill number Reference number assigned to an air waybill, see: 1001 = 740. |
| AWS | Hygienic Certificate number, national Nationally set Hygienic Certificate number, such as sanitary, epidemiologic. |
| AWT | Administrative Reference Code Reference number assigned by Customs to a 'shipment of excise goods'. |
| AWV | Phone number A sequence of digits used to call from one telephone line to another in a public telephone network. |
| AWW | Buyer's fund number A reference number indicating the fund number used by the buyer. GS1 Note: Replaces GS1 Temporary Code BFN. |
| AWX | Company trading account number A reference number identifying a company trading account. GS1 Note: Replaces GS1 Temporary Code CAN. |
| AWY | Reserve goods identifier A reference number identifying goods in stock which have been reserved for a party. GS1 Note: Replaces GS1 Temporary Code GRN. |
| AWZ | Handling and movement reference number A reference number identifying a previously transmitted cargo/goods handling and movement message. GS1 Note: Replaces GS1 Temporary Code HN. |
| AXA | Instruction to despatch reference number A reference number identifying a previously transmitted instruction to despatch message. GS1 Note: Replaces GS1 Temporary Code IDR. |
| AXB | Instruction for returns number A reference number identifying a previously communicated instruction for return message. GS1 Note: Replaces GS1 Temporary Code IRN. |
| AXC | Metered services consumption report number A reference number identifying a previously communicated metered services consumption report. GS1 Note: Replaces GS1 Temporary Code MSC. |
| AXD | Order status enquiry number A reference number to a previously sent order status enquiry. GS1 Note: Replaces GS1 Temporary Code OSC. |
| AXE | Firm booking reference number A reference number identifying a previous firm booking. GS1 Note: Replaces GS1 Temporary Code PFB. |

Used Codes

| | |
|-----|---|
| AXF | <p>Product inquiry number</p> <p>A reference number identifying a previously communicated product inquiry. GS1 Note: Replaces GS1 Temporary Code PIE.</p> |
| AXG | <p>Split delivery number</p> <p>A reference number identifying a split delivery. GS1 Note: Replaces GS1 Temporary Code SDR.</p> |
| AXH | <p>Service relation number</p> <p>A reference number identifying the relationship between a service provider and a service client, e.g., treatment of a patient in a hospital, usage by a member of a library facility, etc. GS1 Note: Replaces GS1 Temporary Code SNR.</p> |
| AXI | <p>Serial shipping container code</p> <p>Reference number identifying a logistic unit. GS1 Note: Replaces GS1 Temporary Code SSC.</p> |
| AXJ | <p>Test specification number</p> <p>A reference number identifying a test specification. GS1 Note: Replaces GS1 Temporary Code TS.</p> |
| AXK | <p>Transport status report number</p> <p>[1125] A reference number identifying a transport status report. GS1 Note: Replaces GS1 Temporary Code TSE.</p> |
| AXL | <p>Tooling contract number</p> <p>A reference number of the tooling contract. GS1 Note: Replaces GS1 Temporary Code XB5.</p> |
| AXM | <p>Formula reference number</p> <p>A reference number of a formula. GS1 Note: Replaces GS1 Temporary Code XB6.</p> |
| AXN | <p>Pre-agreement number</p> <p>A reference number identifying a pre-agreement. GS1 Note: Replaces GS1 Temporary Code XB7.</p> |
| AXO | <p>Product certification number</p> <p>Number assigned by a governing body (or their agents) to a product which certifies compliance with a standard. GS1 Note: Replaces GS1 Temporary Code XC1.</p> |
| AXP | <p>Consignment contract number</p> <p>Reference number identifying a consignment contract. GS1 Note: Replaces GS1 Temporary Code XC3.</p> |
| AXQ | <p>Product specification reference number</p> <p>Number assigned by the issuer to his product specification. GS1 Note: Replaces GS1 Temporary Code YA1.</p> |
| AXR | <p>Payroll deduction advice reference</p> <p>A reference number identifying a payroll deduction advice. GS1 Note: Replaces GS1 Temporary Code YA9.</p> |

Used Codes

| | |
|-----|--|
| BC | Buyer's contract number Reference number assigned by buyer to a contract. |
| BFN | Buyer's fund number (GS1 Temporary Code) A reference number indicating the fund number used by the buyer. GS1 Note: Code marked for deletion. Use value AWW instead. |
| BM | Bill of lading number Reference number assigned to a bill of lading, see: 1001 = 705. |
| BN | Booking reference number [1016] Reference number assigned by the carrier or his agent when cargo space is reserved prior to loading. |
| BO | Blanket order number Reference number assigned by the order issuer to a blanket order. |
| BT | Batch number/lot number Reference number assigned by manufacturer to a series of similar products or goods produced under similar conditions. |
| CAN | Company trading account number (GS1 Temporary Code) A reference number identifying a company trading account. GS1 Note: Code marked for deletion. Use value AWX instead. |
| CBB | Order shipment grouping reference A reference number identifying the grouping of purchase orders into one shipment. GS1 Note: Replaces GS1 Temporary Code YB4. |
| CD | Credit note number Reference number assigned to a credit note. |
| CED | Debit Letter number Reference number identifying the letter of debit document. GS1 Note: Replaces GS1 Temporary Code YB8. |
| CFF | Animal farm licence number Veterinary licence number allocated by a national authority to an animal farm. GS1 Note: Replaces GS1 Temporary Code YC3. |
| CH | Customer catalogue number Number identifying a catalogue for customer's usage. |
| CK | Cheque number Unique number assigned to one specific cheque. |
| CMR | Road consignment note number Reference number assigned to a road consignment note, see: 1001 = 730. |
| CN | Carrier's reference number Reference number assigned by carrier to a consignment. |

Used Codes

| | |
|-----|---|
| CNE | Consolidated reference number (GS1 Temporary Code) A number identifying a consolidated reference. |
| CO | Buyers order number [1022] Reference number assigned by the buyer to an order. |
| COF | Call off order number A number that identifies a call off order. |
| CR | Customer reference number Reference number assigned by the customer to a transaction. |
| CT | Contract number Reference number of a contract concluded between parties. |
| CU | Consignor's reference number [1140] Reference number assigned by a consignor to a particular shipment for his own purposes or for those of the consignee. |
| CZ | Cooperation contract number Number issued by a party concerned given to a contract on cooperation of two or more parties. |
| DDC | Direct debit contract reference (SWIFT Code) A reference number identifying a direct debit contract. |
| DL | Debit note number Reference number assigned by issuer to a debit note. |
| DM | Document number [1004] Reference number assigned to the document by the issuer. |
| DQ | Delivery note number Reference number assigned by the issuer to a delivery note. |
| ECN | External consolidation reference number (GS1 Temporary Code) A reference number assigned to identify an external consolidation. |
| EID | Economic operator identifier (EO-ID) (GS1 Temporary Code) Specify the economic operator identifier (EO-ID) number, e.g. in tobacco traceability. |
| ERC | External recap reference number (GS1 Temporary Code) A reference number identifying an external recap. |
| EX | Export licence number [1208] Reference number assigned by issuing authority to an Export Licence. |
| FC | Fiscal number Tax payer's number. Number assigned to individual persons as well as to corporates by a public institution; this number is different from the VAT registration number. |

Used Codes

| | |
|-----|---|
| FF | Freight forwarder's reference number [1460] Reference number assigned to the consignment by the freight forwarder. |
| FI | File line identifier Number assigned by the file issuer or sender to identify a specific line. |
| FID | Facility identifier (F-ID) (GS1 Temporary Code) Identifies the place, for example the POS or warehouse where tobacco products are traded. |
| FV | File version number Number given to a version of an identified file. |
| FX | Foreign exchange contract number Reference number identifying a foreign exchange contract. |
| GC | Government contract number Number assigned to a specific government/public contract. |
| GN | Government reference number A number that identifies a government reference. GS1 Description: This code value should not be used to provide the tax identification number for a party (use code VA). |
| GRN | Goods reserve number (GS1 Temporary Code) A reference number identifying goods in stock which have been reserved for a party. GS1 Note: Code marked for deletion. Use value AWY instead. |
| HN | Handling and movement reference number (GS1 Temporary Code) A reference number identifying a previously transmitted cargo/goods handling and movement message. GS1 Note: Code marked for deletion. Use value AWZ instead. |
| HS | Harmonised system number Number specifying the goods classification under the Harmonised Commodity Description and Coding System of the Customs Co-operation Council (CCC). |
| HWB | House waybill number Reference number assigned to a house waybill, see: 1001 = 703. |
| IA | Internal vendor number Number identifying the company-internal vending department/unit. |
| IDR | Instruction to despatch reference number (GS1 Temporary Code) A reference number identifying a previously transmitted instruction to despatch message. GS1 Note: Code marked for deletion. Use value AXA instead. |
| IP | Import licence number [1106] Reference number assigned by the issuing authority to an Import Licence. |

Used Codes

| | |
|-----|--|
| IRN | <p>Instruction for returns number (GS1 Temporary Code)</p> <p>A reference number identifying a previously communicated instruction for return message.</p> <p>GS1 Note: Code marked for deletion. Use value AXB instead.</p> |
| IT | <p>Internal customer number</p> <p>Number assigned by a seller, supplier etc. to identify a customer within his enterprise.</p> |
| IV | <p>Invoice number</p> <p>[1334] Reference number assigned by the seller to a Commercial Invoice.</p> |
| LC | <p>Letter of credit number</p> <p>Reference number identifying the letter of credit document.</p> |
| LI | <p>Line item reference number</p> <p>(1156) Reference number identifying a particular line in a document.</p> |
| MB | <p>Master bill of lading number</p> <p>Reference number assigned to a master bill of lading, see: 1001 = 704.</p> |
| MF | <p>Manufacturer's part number</p> <p>Reference number assigned by the manufacturer to his product or part.</p> |
| MG | <p>Meter unit number</p> <p>Number identifying a unique meter unit.</p> |
| MH | <p>Manufacturing order number</p> <p>Reference number assigned by manufacturer for a given production quantity of products.</p> |
| MR | <p>Message recipient</p> <p>A number that identifies the message recipient.</p> <p>GS1 Description: Party who receives the message.</p> |
| MS | <p>Message sender</p> <p>A number that identifies the message sender.</p> <p>GS1 Description: Party who sends the message.</p> |
| MSC | <p>Metered services consumption report (GS1 Temporary Code)</p> <p>A reference number identifying a previously communicated metered services consumption report.</p> <p>GS1 Note: Code marked for deletion. Use value AXC instead.</p> |
| MSS | <p>Manufacturer's material safety data sheet number</p> <p>A number that identifies a manufacturer's material safety data sheet.</p> |
| MWB | <p>Master air waybill number</p> <p>Reference number assigned to a master air waybill, see: 1001 = 741.</p> |
| ON | <p>Order number (buyer)</p> <p>[1022] Reference number assigned by the buyer to an order.</p> |

Used Codes

| | |
|-----|---|
| OSE | Order status enquiry (GS1 Temporary Code) A reference number to a previously sent order status enquiry. GS1 Note: Code marked for deletion. Use value AXD instead. |
| PB | Payer's financial institution account number Originated company account number (ACH transfer), check, draft or wire. |
| PD | Promotion deal number Number assigned by a vendor to a special promotion activity. |
| PFB | Firm booking reference number (GS1 Temporary Code) A reference number identifying a previous firm booking. GS1 Note: Code marked for deletion. Use value AXE instead. |
| PIE | Product inquiry number (GS1 Temporary Code) A reference number identifying a previously communicated product inquiry number. GS1 Note: Code marked for deletion. Use value AXF instead. |
| PK | Packing list number (1014) Reference number assigned to a packing list, see: 1001 = 271. |
| PL | Price list number Reference number assigned to a price list. GS1 Description: This code should be used to identify a Price/Sales Catalogue (PRICAT) message. |
| POR | Purchase order response number Reference number assigned by the seller to an order response. |
| PP | Purchase order change number Reference number assigned by a buyer for a revision of a purchase order. |
| PQ | Payment reference Reference number assigned to a payment. |
| PR | Price quote number Reference number assigned by the seller to a quote. |
| PW | Prior purchase order number Reference number of a purchase order previously sent to the supplier. |
| PY | Payee's financial institution account number Receiving company account number (ACH transfer), check, draft or wire. |
| RA | Remittance advice number A number that identifies a remittance advice. |
| RAK | Rack identification (GS1 Temporary Code) Identification of a warehouse rack in the location for shipment pick-up. |
| RCE | Recap number (GS1 Temporary Code) A reference number identifying a recap. |

Used Codes

| | |
|-----|--|
| RCN | Railway consignment note number Reference number assigned to a rail consignment note, see: 1001 = 720. |
| RF | Export reference number Reference number given to an export shipment. |
| SB | Sales region number A number that identifies a sales region. |
| SD | Sales department number A number that identifies a sales department. |
| SDR | Split delivery reference number (GS1 Temporary Code) A reference number identifying a split delivery. GS1 Note: Code marked for deletion. Use value AXG instead. |
| SE | Serial number Identification number of an item which distinguishes this specific item out of an number of identical items. |
| SN | Seal number [9308] Identification number on Customs or other seals affixed to containers or other transport units. |
| SNR | Service relation number (GS1 Temporary Code) A number used to identify a database entry which records recurring services, e.g., treatment of a patient in a hospital, usage by a member of a library facility, etc. GS1 Note: Code marked for deletion. Use value AXH instead. |
| SRN | Shipment reference number Reference number assigned to a shipment. GS1 Description: Reference number assigned by a consignor to a particular shipment for his own purposes or for those of the consignee. |
| SS | Seller's reference number Reference number assigned to a transaction by the seller. |
| SSC | Serial shipping container code (GS1 Temporary Code) Reference number identifying a serial shipping container or package. GS1 Note: Code marked for deletion. Use value AXI instead. |
| SZ | Specification number Number assigned by the issuer to his specification. |
| TAU | Aggregated level unique identifier (aUI) (GS1 Temporary Code) Reference the aggregated level unique identifier (aUI), e.g. in tobacco traceability. |
| TIN | Transport instruction number A reference number identifying a transport instruction. EDIFACT |

Used Codes

| | |
|-----|---|
| TL | Tax exemption licence number Number assigned by the tax authorities to a party indicating its tax exemption authorization. This number could relate to a specified business type, a specified local area or a class of products. |
| TP | Test report number Reference number identifying a test report document relevant to the product. |
| TRB | Tribunal place registration number (GS1 Temporary Code) Registration number of a company at the tribunal place. |
| TS | Test specification number (GS1 Temporary Code) A reference number identifying a test specification. GS1 Note: Code marked for deletion. Use value AXJ instead. |
| TSE | Transport status number (GS1 Temporary Code) A reference number identifying a transport status message. GS1 Note: Code marked for deletion. Use value AXK instead. |
| TUU | Aggregated level unique identifier (upUI) (GS1 Temporary Code) Identifies the single pack of cigarettes issued by a central EU repository. |
| UC | Ultimate customer's reference number The originator's reference number as forwarded in a sequence of parties involved. |
| UCN | Unique consignment reference number (1202) Unique reference of a consignment (UCRN) used for identification purposes in documents and messages exchanged between parties in international trade. See also: Unique Identifier Code (UNIC) in UN/ECE Recommendation No. 8, March 1992. |
| UO | Ultimate customer's order number The originator's order number as forwarded in a sequence of parties involved. |
| VA | VAT registration number Unique number assigned by the relevant tax authority to identify a party for use in relation to Value Added Tax (VAT). |
| VN | Order number (supplier) Reference number assigned by supplier to a buyer's purchase order. |
| XA | Company/place registration number Company registration and place as legally required. |
| XA4 | Account servicing bank reference (SWIFT Code) A reference number allocated by an account servicing bank. |
| XA5 | Customer to customer reference number (SWIFT Code) A reference number exchanged between customers. |
| XA6 | Third party reference number (SWIFT Code) A number used to identify references related to third parties. |

Used Codes

| | |
|-----|--|
| XA8 | Credit card number (SWIFT Code) A reference number identifying a credit card. |
| XB1 | Clearing number (SWIFT Code) A reference number identifying a clearing. |
| XB5 | Tooling contract number (GS1 Temporary Code) Number of the tooling contract. GS1 Note: Code marked for deletion. Use value AXL instead. |
| XB6 | Formula number (GS1 Temporary Code) Number of the formula. GS1 Note: Code marked for deletion. Use value AXM instead. |
| XB7 | Pre-agreement number (GS1 Temporary Code) Number identifying a pre-agreement. GS1 Note: Code marked for deletion. Use value AXN instead. |
| XC1 | Product certification number (GS1 Temporary Code) Number assigned by a governing body (or their agents) to a product which certifies compliance with a standard. GS1 Note: Code marked for deletion. Use value AXO instead. |
| XC3 | Consignment contract number (GS1 Temporary Code) Reference number identifying a consignment contract. GS1 Note: Code marked for deletion. Use value AXP instead. |
| YA1 | Product specification reference number (GS1 Temporary Code) Number assigned by the issuer to his product specification. GS1 Note: Code marked for deletion. Use value AXQ instead. |
| YA3 | Numbering per year (GS1 Temporary Code) Financial statement should be identified consecutively numbered per year. |
| YA6 | Bank statement number (SWIFT Code) A reference number identifying a bank statement. |
| YA9 | Payroll deduction advice reference (GS1 Temporary Code) A reference number identifying a payroll deduction advice. GS1 Note: Code marked for deletion. Use value AXR instead. |
| YB4 | Order shipment grouping reference (GS1 Temporary Code) A reference number identifying the grouping of purchase orders into one shipment. GS1 Note: Code marked for deletion. Use value CBB instead. |
| YB8 | Debit Letter (GS1 Temporary Code) Reference number identifying the letter of debit document. GS1 Note: Code marked for deletion. Use value CED instead. |
| YC1 | Additional party identification (GS1 Temporary Code) Reference number to an additional party identification. This number may be the internal trading partner identification number used by a party to identify its trading parties. |

Used Codes

| | |
|-------------|---|
| YC3 | Farm approval number (GS1 Temporary Code) Veterinary licence number allocated by a national authority to an animal farm. |
| YC6 | Electrical and Electronic Equipment Producer registration number (GS1 Temporary Code) National registration number of the producers of Electrical and Electronic Equipment |
| YC7 | Batteries and Accumulators Producer registration number (GS1 Temporary Code) National registration number of the producers of Batteries and Accumulators |
| ZZZ | Mutually defined reference number Number based on party agreement. |
| 1225 | Message function code Code indicating the function of the message. |
| 1 | Cancellation Message cancelling a previous transmission for a given transaction. |
| 5 | Replace Message replacing a previous message. |
| 7 | Duplicate The message is a duplicate of a previously generated message. |
| 9 | Original Initial transmission related to a given transaction. |
| 31 | Copy Indicates that the message is a copy of an original message that has been sent, e.g. for action or information. |
| 42 | Confirmation via specific means Message confirming a transaction previously agreed via other means (e.g. phone). |
| 46 | Provisional Message content is provisional. |
| 1373 | Document status code Code specifying the status of a document. |
| 1 | Accepted The specified document is accepted. |
| 2 | Accompanying goods Notice that a specific document will be accompanying the goods. |
| 3 | Conditionally accepted The specified document is conditionally accepted. |

Used Codes

| | |
|----|---|
| 4 | To arrive by separate EDI message Notice that a specific document/message will be transmitted via a separate EDI message. |
| 5 | Information only Notice that the specific document or message is for information only. |
| 6 | To arrive by manual means Notice that a specific document or message will not be sent via EDI. |
| 7 | To be raised and sent Request for a specific message to be formatted and transmitted or a request for a specific document to be raised and sent. |
| 8 | Rejected The specified document is rejected. |
| 9 | To be printed The document or message is to be printed. |
| 10 | Document currently valid Specific document is currently valid. |
| 17 | Document with the goods Document not attached to the Customs declaration but is attached to the goods. |
| 39 | On hold The document or message will not be processed until further release information. GS1 Note: Replaces GS1 Temporary Code X1. |
| X1 | On hold (GS1 Temporary Code) The document or message will not be processed until further release information. GS1 Note: Code marked for deletion. Use value 39 instead. |

2005

| | |
|---|---|
| | Date or time or period function code qualifier Code qualifying the function of a date, time or period. |
| 1 | Service completion date/time, actual Actual date/time on which the service was completed. |
| 2 | Delivery date/time, requested Date on which buyer requests goods to be delivered. |
| 3 | Invoice date/time [2376] Date when a Commercial Invoice is issued. |
| 4 | Order date/time [2010] Date when an order is issued. |

Used Codes

| | |
|----|--|
| 7 | Effective date/time Date and/or time at which specified event or document becomes effective. |
| 8 | Order received date/time Date/time when the purchase order is received by the seller. |
| 9 | Processing date/time Date/time of processing. |
| 10 | Shipment date/time, requested Date on which goods should be shipped or despatched by the supplier. |
| 11 | Despatch date and/or time (2170) Date/time on which the goods are or are expected to be despatched or shipped. |
| 12 | Terms discount due date/time Date by which payment should be made if discount terms are to apply. |
| 13 | Terms net due date Date by which payment must be made. |
| 14 | Payment date/time, deferred Date/time when instalments are due. |
| 15 | Promotion start date/time Date/time when promotion activities begin. |
| 16 | Promotion end date/time Date/time when promotion activities end. |
| 17 | Delivery date/time, estimated Date and/or time when the shipper of the goods expects delivery will take place. |
| 18 | Installation date/time/period The date/time/period of the act, or an instance of installing something or someone. |
| 35 | Delivery date/time, actual Date/time on which goods or consignment are delivered at their destination. |
| 36 | Expiry date Date of expiry of the validity of a referenced document, price information or any other referenced data element with a limited validity period. |
| 37 | Ship not before date/time Goods should not be shipped before given date/time. |
| 38 | Ship not later than date/time Date/time by which the goods should have been shipped. |
| 44 | Availability Date/time when received item is available. |

Used Codes

| | |
|----|---|
| 50 | Goods receipt date/time Date/time upon which the goods were received by a given party. |
| 55 | Confirmed date/time Date/time which has been confirmed. |
| 58 | Clearance date (Customs) (3080) Date on which Customs formalities necessary to allow goods to be exported, to enter home use, or to be placed under another Customs procedure has been accomplished (CCC). |
| 59 | Inbond movement authorization date Inland movement authorization date. |
| 61 | Cancel if not delivered by this date The date on which cancellation should take place, if delivery has not occurred. |
| 63 | Delivery date/time, latest Date identifying a point of time after which goods shall not or will not be delivered. |
| 64 | Delivery date/time, earliest Date identifying a point in time before which the goods shall not be delivered. |
| 67 | Delivery date/time, current schedule Delivery Date deriving from actual schedule. |
| 69 | Delivery date/time, promised for [2138] Date by which, or period within which, the merchandise should be delivered to the buyer, as agreed between the seller and the buyer (generic term). |
| 71 | Delivery date/time, requested for (after and including) Delivery is requested to happen after or on given date. |
| 72 | Delivery date/time, promised for (after and including) Delivery might take place earliest at given date. |
| 73 | Guarantee period The period for which the guarantee is or will be granted. |
| 74 | Delivery date/time, requested for (prior to and including) Delivery is requested to happen prior to or including the given date. |
| 75 | Delivery date/time, promised for (prior to and including) Delivery might take place latest at given date. |
| 76 | Delivery date/time, scheduled for The date/time for which delivery is scheduled. |
| 79 | Shipment date/time, promised for Shipment might happen at given date/time. |

Used Codes

| | |
|-----|---|
| 90 | Report start date The date on which a report is to begin. |
| 91 | Report end date The date on which a report is to end. |
| 94 | Production/manufacture date Date on which goods are produced. |
| 95 | Bill of lading date Date as specified on the bill of lading. |
| 99 | Quotation opening date The date on which the quotation has been or may be opened. |
| 100 | Product ageing period before delivery Period of time before delivery during which the product is ageing. |
| 102 | Health problem period Period of time of health problem. GS1 Description: Period of time of exceptional health problems. |
| 117 | Delivery date/time, first First possible date/time for delivery. |
| 119 | Test completion date Date when a test has been completed. |
| 124 | Despatch note date [2218] Date when a Despatch Note is issued. |
| 126 | Contract date [2326] Date when a Contract is agreed. |
| 128 | Delivery date/time, last Date when the last delivery should be or has been accomplished. |
| 129 | Exportation date Date when imported vessel/merchandise last left the country of export for the country of import. |
| 131 | Tax point date Date on which tax is due or calculated. |
| 132 | Arrival date/time, estimated (2348) Date/time when carrier estimates that a means of transport should arrive at the port of discharge or place of destination. |
| 133 | Departure date/time, estimated Date/time when carrier estimates that a means of transport should depart at the place of departure. |

Used Codes

| | |
|-----|--|
| 134 | Rate of exchange date/time Date/time on which the exchange rate was fixed. |
| 136 | Departure date/time [2280] Date (and time) of departure of means of transport. |
| 137 | Document/message date/time (2006) Date/time when a document/message is issued. This may include authentication. |
| 138 | Payment date [2034] Date on which an amount due is made available to the creditor, in accordance with the terms of payment. |
| 140 | Payment due date Date/time at which funds should be made available. |
| 143 | Acceptance date/time of goods [2126] Date on which the goods are taken over by the carrier at the place of acceptance (CMR 4). |
| 147 | Expiry date of export licence [2078] Date of expiry of the validity of an Export Licence. |
| 151 | Importation date Date on which goods are imported, as determined by the governing Customs administration. |
| 152 | Exportation date for textiles Date when imported textiles last left the country of origin for the country of importation. |
| 154 | Acceptance date of document The date on which a document was accepted. GS1 Description: Date on which a document was, or will be, accepted. |
| 155 | Accounting period start date The first date of an accounting period. |
| 156 | Accounting period end date The last date of an accounting period. |
| 157 | Validity start date The first date of a period for which something is valid. |
| 162 | Release date of supplier Date when the supplier released goods. |
| 165 | Tax period start date Date when a tax period begins. |
| 166 | Tax period end date Date when a tax period ends. |

Used Codes

| | |
|-----|---|
| 167 | Charge period start date The charge period's first date. |
| 168 | Charge period end date The charge period's last date. |
| 169 | Lead time Time required between order entry till earliest goods delivery. |
| 171 | Reference date/time Date/time on which the reference was issued. |
| 174 | Advise after date/time The information must be advised after the date/time indicated. |
| 175 | Advise before date/time The information must be advised before the date/time indicated. |
| 176 | Advise completed date/time The advise has been completed at the date indicated. |
| 177 | Advise on date/time The information must be advised on the date/time indicated. |
| 178 | Arrival date/time, actual [2106] Date (and time) of arrival of means of transport. |
| 179 | Booking date/time Date at which the booking was made. |
| 180 | Closing date/time Final date for delivering cargo to a liner ship. |
| 182 | Issue date Date when a document/message has been or will be issued. |
| 186 | Departure date/time, actual (2280) Date (and time) of departure of means of transport. |
| 189 | Departure date/time, scheduled Date (and time) of scheduled departure of means of transport. |
| 190 | Transshipment date/time Date and time of the transfer of the goods from one means of transport to another. |
| 191 | Delivery date/time, expected Date/time on which goods are expected to be delivered. |
| 192 | Expiration date/time of customs document Date on which validity of a customs document expires. |
| 193 | Execution date The date when ordered bank initiated the transaction. |

Used Codes

| | |
|-----|--|
| 194 | Start date/time Date/time on which a period starts. |
| 195 | Expiry date of import licence [2272] Date of expiry of the validity of an Import Licence. |
| 199 | Positioning date/time of goods The date and/or time the goods have to be or have been positioned. |
| 200 | Pick-up/collection date/time of cargo Date/time at which the cargo is picked up. |
| 202 | Posting date The date when an entry is posted to an account. |
| 203 | Execution date/time, requested The date/time on which the ordered bank is requested to initiate the payment order, as specified by the originator (e.g. the date of the debit). |
| 206 | End date/time Date/time on which a period (from - to) ends. |
| 209 | Value date Date on which the funds are at the disposal of the beneficiary or cease to be at the disposal of the ordering customer. |
| 211 | 360/30 Calculation is based on year of 360 days, month of 30 days. |
| 212 | 360/28-31 Calculation is based on year of 360 days, month of 28-31 days. |
| 213 | 365-6/30 Calculation is based on year of 365-6 days, month of 30 days. |
| 214 | 365-6/28-31 Calculation is based on year of 365-6 days, month of 28-31 days. |
| 215 | 365/28-31 Calculation is based on year of 365 days, month of 28-31 days. |
| 216 | 365/30 Calculation is based on year of 365 days, month of 30 days. |
| 218 | Authentication/validation date/time The date/time of authentication and/or validation. |
| 219 | Crossborder date/time Date/time at which goods are transferred across a country border. |
| 221 | Interest period Number of days used for the calculation of interests. |

Used Codes

| | |
|-----|--|
| 222 | Presentation date, latest Latest date for presentation of a document. |
| 223 | Delivery date/time, deferred New date and time of delivery calculated on basis of a consignee's requirement (chargeable). |
| 227 | Beneficiary's banks due date Date on which funds should be made available to the beneficiary's bank. |
| 231 | Arrival date/time, earliest Date/time of earliest arrival of means of transport. |
| 232 | Arrival date/time, scheduled Date (and time) of scheduled arrival of means of transport. |
| 234 | Collection date/time, earliest The transport order may be issued before the goods are ready for picking up. This date/time indicates from when on the carrier can have access to the consignment. |
| 235 | Collection date/time, latest In relation with the arrangements agreed between buyer and seller or between sender and main transport it may be necessary to specify the latest collection date/time. |
| 255 | Availability due date Date when ordered items should be available at a specified location. |
| 257 | Calculation date/time/period The date/time/period on which a calculation will take, or has taken, place. |
| 260 | Valuation date (Customs) Date when Customs valuation was made. |
| 261 | Release date/time Date/time assigned to identify the release of a set of rules, conditions, conventions, productions, etc. |
| 263 | Invoicing period Period for which an invoice is issued. |
| 265 | Due date The date on which some action should occur. |
| 266 | Validation date The date on which something was made valid, ratified or confirmed. GS1 Description: The date on which the validation of a document or message has taken place. |
| 267 | Rate/price date/time Date/time on which a rate/price is determined. |

Used Codes

| | |
|-----|---|
| 273 | Validity period Dates (from/to)/period referenced documents are valid. |
| 282 | Confirmation date lead time Lead time is referenced to the date of confirmation. |
| 306 | Work period Period of execution of works. |
| 310 | Received date/time Date/time of receipt. |
| 315 | Agreement to pay date Date on which the debtor agreed to pay. |
| 321 | Promotion date/period Date/period relevant for specific promotion activities. |
| 322 | Accounting period Self-explanatory. GS1 Description: Period related to a company's accounting procedures/fiscal calendar. |
| 324 | Processing date/period Date/period a specific process happened/will happen. |
| 325 | Tax period Period a tax rate/tax amount etc. is applicable. GS1 Description: A period which is designated by tax authorities, e.g. VAT period. |
| 326 | Charge period Period a specified charge is valid for. |
| 328 | Payroll deduction date/time Date/time of a monetary deduction made from the salary of a person on a payroll. |
| 334 | Status change date/time Date/time when a status changes. |
| 349 | Packing end date Date on which packing completed. |
| 350 | Test start date Date when a test has been started. |
| 351 | Inspection date Date of inspection. |
| 356 | Sales date, and or time, and or period The date, and or time, and or period on which a sale took place. |

Used Codes

| | |
|-----|--|
| 357 | Cancel if not published by this date Cancel if not published by this date. |
| 358 | Scheduled for delivery on or after Scheduled for delivery on or after the specified date, and or time. |
| 359 | Scheduled for delivery on or before Scheduled for delivery on or before specified date and or time. |
| 360 | Sell by date The date by which a product should be sold. |
| 361 | Best before date The best before date. |
| 362 | End availability date The end date of availability. |
| 363 | Total shelf life period A period indicating the total shelf life of a product. |
| 364 | Minimum shelf life remaining at time of despatch period Period indicating the minimum shelf life remaining for a product at the time of leaving the supplier. |
| 365 | Packaging date The date on which the packaging of a product took place. |
| 366 | Inventory report date Date on which a inventory report is made. |
| 367 | Previous meter reading date Date on which the previous reading of a meter took place. |
| 368 | Latest meter reading date Date on which the latest reading of a meter took place. |
| 369 | Date and or time of handling, estimated The date and or time when the handling action is estimated to take place. |
| 381 | Product Lifespan at time of production (GS1 Temporary Code) The total lifespan of a product at the time of its production. |
| 382 | Earliest sale date The earliest date on which the product may be made available for sale. |
| 383 | Cancel if not shipped by this date Cancel the order if goods not shipped by this date. GS1 Description: Cancel the identified order if it has not been shipped/despatched by this date. |
| 417 | Previous booking date/time Date/time at which the previous booking was made. |

Used Codes

| | |
|-----|---|
| 418 | Minimum shelf life remaining at time of receipt The minimum shelf life remaining at the time of receipt. |
| 419 | Forecast period A period for which a forecast applies. GS1 Description: A validity period for a forecast. |
| 423 | First date of ordering The first date on which ordering may take place. |
| 424 | Last date of ordering The last date on which ordering may take place. |
| 434 | Maturity date Date at which maturity occurs. |
| 447 | Creditor's requested value date Date on which the creditor requests to be credited. |
| 448 | Referenced item creation date Creation date of referenced item. |
| 454 | Accounting value date Date against which the entry has to be legally allocated. |
| 496 | Reinstatement date Identifies the date of reinstatement. |
| 506 | Back order delivery date/time/period The date/time/period during which the delivery of a back order will take, or has taken, place. |
| 530 | Fumigation date and/or time The date/or time on which fumigation is to occur or has taken place. |
| 531 | Payment period A period of time in which a payment has been or will be made. |
| 536 | Review date Date the item was or will be reviewed. |
| 541 | First published date Date when material was first published. |
| 557 | Returned date Date return takes place. GS1 Description: Date by which goods must be, or have been, returned. |
| 656 | Age Length of time that a person or thing has existed. GS1 Description: Length of time that a person or animal has lived or a thing has existed. |

Used Codes

| | |
|-----|--|
| 684 | Deletion date The date on which deletion occurs. |
| 685 | First sale date and/or time and/or period The first date, and/or time, and/or period a product was sold. |
| 686 | Last sale date and/or time and/or period The last date, and/or time, and/or period a product was sold. |
| 706 | File generation date and/or time Date and, or time of file generation. |
| 743 | Purchase order latest possible change date Date identifying a point of time after which a purchase order cannot be changed. |
| 748 | Open period Code identifying the period during which something is, was or will be open. |
| 750 | Before date The specified before date. EDIFACT |
| 751 | After date The specified after date. EDIFACT |
| 753 | Maturity date, optimal Date at which optimal maturity occurs. EDIFACT |
| 754 | Product ageing duration, maximum Maximum period of time during which the product is ageing. EDIFACT |
| 755 | Product ageing duration, minimum Minimum period of time during which the product is ageing. EDIFACT |
| 758 | Trade item ship date/time, earliest possible The earliest date/time that the trade item can be shipped. It indicates the earliest date that the trade item can be shipped. This is independent of any specific ship-from location. |
| 759 | Trade item ship date/time, latest possible The latest date/time that the trade item can be shipped. It indicates the latest date that the trade item can be shipped. This is independent of any specific ship-from location. |
| 760 | Start date/time, maximum buying quantity The date/time from which the maximum buying quantity may be purchased. The start date for when the maximum buying quantity is available to the trading partner. |

Used Codes

| | |
|-----|--|
| 761 | <p>Start date/time, minimum buying quantity</p> <p>The date/time from which the minimum buying quantity may be purchased.</p> <p>The start date for when the minimum buying quantity is available to the trading partner.</p> |
| 762 | <p>Marketing campaign end date/time, suggested</p> <p>The date and or time suggested for the marketing campaign to end.</p> <p>The date suggested by the supplier for the campaign to end. It indicates the end of a marketing campaign.</p> |
| 763 | <p>Marketing campaign start date/time, suggested</p> <p>The date and or time suggested for the marketing campaign to start.</p> <p>The date suggested by the supplier for the campaign to start. It indicates the beginning of a marketing campaign.</p> |
| 764 | <p>Start availability date</p> <p>The start date of availability.</p> <p>Indicates the start date of the trade item's seasonal availability.</p> |
| 765 | <p>Seasonal availability calendar year</p> <p>The calendar year of the season in which the trade item is available.</p> |
| 766 | <p>Goods pickup lead time</p> <p>Minimum time required between order entry and goods release for pick-up.</p> <p>Time (in weeks, days, hours ...) required between order entry and the earliest goods release (use for pick-up, not use for delivery).</p> |
| 767 | <p>Change date/time, latest</p> <p>Most recent date and/or time that the information has been changed.</p> <p>A system generated value identifying the date and time a record was last updated.</p> |
| 768 | <p>End date/time, maximum buying quantity</p> <p>The date and/or time until which the maximum buying quantity may be purchased.</p> <p>The end date for when the maximum buying quantity is no longer available to the trading partner.</p> |
| 769 | <p>End date/time, minimum buying quantity</p> <p>The date and/or time until which the minimum buying quantity may be purchased.</p> <p>The end date for when the minimum buying quantity is no longer available to the trading partner.</p> |
| 770 | <p>End date/time of exclusivity</p> <p>The date and/or time until which a product is exclusive.</p> <p>The Date & Time at which a product is no longer exclusive to that trading partner.</p> |
| 772 | <p>Handling start date and/or time, actual</p> <p>The actual date and/or time when the start of the handling action takes place.</p> |

Used Codes

| | |
|-----|--|
| 773 | <p>Handling end date and/or time, estimated</p> <p>The date and/or time when the end of the handling action is estimated to take place.</p> |
| 774 | <p>Handling end date and/or time, actual</p> <p>The actual date and/or time when the end of the handling action takes place.</p> |
| 775 | <p>Minimum product lifespan for consumer</p> <p>The minimum life span of the product remaining after selling it to the consumer, i.e. between the "sell by date" and the "use by date" of the product.</p> |
| 789 | <p>Opened trade item life span</p> <p>The number of days the trade item that had been opened can remain on the shelf and must then be removed.</p> |
| 793 | <p>Reprocessing date/time</p> <p>Date/time on which goods previously produced are re-processed.</p> |
| 794 | <p>First returnable date/time</p> <p>The first date/time on or after which items can be returned.</p> |
| 795 | <p>Community visibility date/time</p> <p>The date/time from which information becomes visible to the target community.</p> |
| 796 | <p>Catch date/time</p> <p>Date/time of catch.</p> |
| 799 | <p>Validity end date</p> <p>The last date of a period for which something is valid. GS1 Note: Replaces GS1 Temporary Code 21E.</p> |
| 800 | <p>Next status report date</p> <p>Date of the next status report. GS1 Note: Replaces GS1 Temporary Code 40E.</p> |
| 801 | <p>Service connection date/time, actual</p> <p>The date/time on which a service was connected, e.g. telephone, water, etc. GS1 Note: Replaces GS1 Temporary Code 44E.</p> |
| 802 | <p>Service disconnection date/time, actual</p> <p>The date/time on which a service was DISconnected, e.g. telephone, water, etc. GS1 Note: Replaces GS1 Temporary Code 45E.</p> |
| 803 | <p>Empty equipment required date/time/period</p> <p>Date/time/period on which empty equipment is required. GS1 Note: Replaces GS1 Temporary Code 50E.</p> |
| 804 | <p>Product sterilisation date</p> <p>Date on which a product was sterilised. GS1 Note: Replaces GS1 Temporary Code 90E.</p> |

Used Codes

| | |
|-----|--|
| 805 | Stock demand cover period, expected A period of time when stocks are expected to cover demand for a product. GS1 Note: Replaces GS1 Temporary Code 96E. |
| 806 | Shipment date/time, expected Date and/or time when shipment is expected. GS1 Note: Replaces GS1 Temporary Code X13. |
| 807 | Slaughtering date/time Date/time of slaughtering |
| 808 | Animal birth date/time Date/time when an animal was born |
| 809 | Seasonal availability end date Indicates the end date of the trade item's seasonal availability |
| 822 | Delivery place booking date/time Date/time at which a booking was made at the delivery place. |
| 823 | Pickup place booking date/time Date/time at which a booking was made at the pickup place. |
| 21E | End validity date (GS1 Temporary Code) Date indicating the end date of a validity period. GS1 Note: Code marked for deletion. Use value 799 instead. |
| 40E | Next status date (GS1 Temporary Code) The next date on which a status report will be provided. GS1 Note: Code marked for deletion. Use value 800 instead. |
| 41E | Product lifespan from time of production (GS1 Temporary Code) An indication of the lifespan of a product from its time of production. |
| 44E | Connection date/time (GS1 Temporary Code) The date/time on which a service was connected, e.g. telephone, water, etc. Connection date/time |
| 45E | Disconnection date/time (GS1 Temporary Code) The date/time on which a service was disconnected, e.g. telephone, water, etc. GS1 Note: Code marked for deletion. Use value 802 instead. |
| 46E | Order completion date/time (GS1 Temporary Code) The date/time on which an order was completed. |
| 50E | Empty equipment required date/time/period (GS1 Temporary Code) Date on which empty equipment is required. GS1 Note: Code marked for deletion. Use value 803 instead. |
| 54E | Stuffing date/time (GS1 Temporary Code) The date/time on which the stuffing of a container is to take place, or has taken place. |

Used Codes

| | |
|-----|--|
| 55E | Un-stuffing date/time (GS1 Temporary Code) The date/time on which the un-stuffing of a container is to take place, or has taken place. |
| 61B | Cancel if not delivered by this date unless title not published at time (GS1 Temporary Code) Cancel the product ordered if it has not been delivered by this date unless it had not been published at the time of order. GS1 Note: Code marked for deletion. |
| 63B | Latest availability date if not yet despatched (GS1 Temporary Code) The latest availability date required for a product or order if it has not already been despatched. |
| 90E | Product sterilisation date (GS1 Temporary Code) Date on which a product was sterilised. GS1 Note: Code marked for deletion. Use value 804 instead. |
| 91E | First freezing date (GS1 Temporary Code) Date on which a product was first frozen. |
| 92E | Pension deduction payment date (GS1 Temporary Code) Date when the deduction was made from the salary of the employee. |
| 93E | Professional risk deduction payment date (GS1 Temporary Code) Date when the risk deduction was made from the salary of the employee. |
| 94E | Health care deduction payment date (GS1 Temporary Code) Date when health care deduction was made. |
| 96E | Stock cover period (GS1 Temporary Code) A period of time when all stocks are expected to cover demand for a product. GS1 Note: Code marked for deletion. Use value 805 instead. |
| 98E | Discharge date/time, start (GS1 Temporary Code) Date/time when all discharge operations on the transport means have actually been started. |
| X13 | Expect to ship by (GS1 Temporary Code) The consignment is expected to be shipped by this date and/or time. GS1 Note: Code marked for deletion. Use value 806 instead. |
| X14 | Requested for delivery week commencing (GS1 Temporary Code) Code requesting delivery of an order or order line during a specified week. |
| X19 | Material Safety Data Sheet issue date (GS1 Temporary Code) A date when a Material Safety Data Sheet has been or will be issued. |
| X20 | Slaughter date/time (GS1 Temporary Code) Date/time of slaughtering of an animal. GS1 Note: Code marked for deletion. Use value 807 instead. |

Used Codes

| | |
|-------------|--|
| X21 | Animal Birth date/time (GS1 Temporary Code) Date/time when an animal was born. For traceability purposes. GS1 Note: Code marked for deletion. Use value 808 instead. |
| X49 | Seasonal availability end date (GS1 Temporary Code) Indicates the end date of the trade item's seasonal availability. GS1 Note: Code marked for deletion. Use value 809 instead. |
| X50 | Committed quantity announcement date (GS1 Temporary Code) The date when quantity committed by store could be announced to the supply chain of the retailer. |
| XF2 | Date of issue and maturity (SWIFT Code) Date when a document/message has been issued and becomes mature. |
| YB9 | Total credits (SWIFT Code) The total value of credits to a financial account. |
| 2379 | Date or time or period format code Code specifying the representation of a date, time or period. |
| 2 | DDMMYY Calendar date: D = Day; M = Month; Y = Year. |
| 101 | YYMMDD Calendar date: Y = Year; M = Month; D = Day. |
| 102 | CCYYMMDD Calendar date: C = Century ; Y = Year ; M = Month ; D = Day. |
| 104 | MMWW-MMWW A period of time specified by giving the start week of a month followed by the end week of a month. Data is to be transmitted as consecutive characters without hyphen. |
| 107 | DDD Day's number within a specific year: D = Day. |
| 108 | WW Week's number within a specific year: W = Week. |
| 109 | MM Month's number within a specific year: M = Month. |
| 110 | DD Day's number within is a specific month. |
| 201 | YYMMDDHHMM Calendar date including time without seconds: Y = Year; M = Month; D = Day; H = Hour; M = Minute. |

Used Codes

| | |
|-----|---|
| 203 | CCYYMMDDHHMM Calendar date including time with minutes: C=Century; Y=Year; M=Month; D=Day; H=Hour; M=Minutes. |
| 204 | CCYYMMDDHHMMSS Calendar date including time with seconds: C=Century;Y=Year; M=Month; D=Day;H=Hour;M=Minute;S=Second. |
| 401 | HHMM Time without seconds: H = Hour; m = Minute. |
| 501 | HHMMHHMM Time span without seconds: H = Hour; m = Minute;. |
| 502 | HHMMSS-HHMMSS Format of period to be given without hyphen. |
| 602 | CCYY Calendar year including century: C = Century; Y = Year. |
| 609 | YYMM Month within a calendar year: Y = Year; M = Month. |
| 610 | CCYYMM Month within a calendar year: CC = Century; Y = Year; M = Month. |
| 615 | YYWW Week within a calendar year: Y = Year; W = Week 1st week of January = week 01. |
| 616 | CCYYWW Week within a calendar year: CC = Century; Y = Year; W = Week (1st week of January = week 01). |
| 713 | YYMMDDHHMM-YYMMDDHHMM Format of period to be given in actual message without hyphen. |
| 715 | YYWW-YYWW A period of time specified by giving the start week of a year followed by the end week of year (both not including century). Data is to be transmitted as consecutive characters without hyphen. |
| 717 | YYMMDD-YYMMDD Format of period to be given in actual message without hyphen. |
| 718 | CCYYMMDD-CCYYMMDD Format of period to be given without hyphen. |
| 719 | CCYYMMDDHHMM-CCYYMMDDHHMM A period of time which includes the century, year, month, day, hour and minute. Format of period to be given in actual message without hyphen. |

Used Codes

| | |
|-------------|---|
| 720 | DHHMM-DHHMM Format of period to be given without hyphen (D=day of the week, 1=Monday; 2=Tuesday; ... 7=Sunday). |
| 801 | Year To indicate a quantity of years. |
| 802 | Month To indicate a quantity of months. |
| 803 | Week To indicate a quantity of weeks. |
| 804 | Day To indicate a quantity of days. |
| 805 | Hour To indicate a quantity of hours. |
| 806 | Minute To indicate a quantity of minutes. |
| 810 | Trimester To indicate a quantity of trimesters (three months). |
| 811 | Half month To indicate a quantity of half months. |
| 21E | DDHHMM-DDHHMM (GS1 Temporary Code) Format of period to be given in actual message without hyphen. |
| 3035 | Party function code qualifier Code giving specific meaning to a party. |
| AB | Buyer's agent/representative Third party who arranged the purchase of merchandise on behalf of the actual buyer. |
| ACD | Party has access to all non publicly available data (GS1 Temporary Code) The identified party has access to all non publicly available pricing and non-pricing data associated with the current product. |
| ACN | Party has access only to non publicly available non-pricing data (GS1 Temporary Code) The identified party has access only to the non publicly available non-pricing data associated with the current product. |
| ACP | Party has access only to non publicly available pricing data (GS1 Temporary Code) The identified party has access only to the non publicly available pricing data associated with the current product. |

Used Codes

| | |
|----|--|
| AE | Declarant's agent/representative Any natural or legal person who makes a declaration to an official body on behalf of another natural or legal person, where legally permitted (CCC). |
| AG | Agent/representative (3196) Party authorized to act on behalf of another party. |
| AP | Accepting party (3352) Party accepting goods, products, services etc. |
| AS | Account servicing financial institution Identifies the financial institution servicing the account(s). |
| BE | Beneficiary The ultimate recipient of the funds. Normally the account owner who is reimbursed by the payor. |
| BF | Beneficiary's bank Identifies the account servicer for the beneficiary or the payee. |
| BK | Financial institution Party acting as financial institution. |
| BL | Bill of lading recipient Party to receive B/L. |
| BO | Broker or sales office Party acting in the name of the seller as broker or as sales office. |
| BQ | Cheque drawn bank Identifies the bank on which the cheque should be drawn, as instructed by the ordering customer. |
| BS | Bill and ship to Party receiving goods and relevant invoice. |
| BY | Buyer Party to whom merchandise and/or service is sold. |
| CA | Carrier (3126) Party undertaking or arranging transport of goods between named points. |
| CG | Carrier's agent Party authorized to act for or on behalf of carrier. |
| CH | Connecting carrier Owner or operator of a transportation conveyance to which goods in a given transaction will be transferred. |
| CK | Empty equipment despatch party Party from whose premises empty equipment will be or has been despatched. |

Used Codes

| | |
|-----|--|
| CM | Customs Identification of customs authority relevant to the transaction or shipment. |
| CN | Consignee (3132) Party to which goods are consigned. |
| CO | Corporate office Identification of the Head Office within a company. |
| COD | Quotation requesting party The party sending the requests for quotation. GS1 Note: Replaces GS1 Temporary Code QP. EDIFACT |
| CPE | Central payment service (GS1 Temporary Code) Master of the conveyance. GS1 Description: A party providing central (or consolidated payment) services. |
| CPU | Central procurement party (GS1 Temporary Code) Party responsible for all aspects (e.g. tenders, orders, invoices, ..) of procurement. |
| CQ | Cheque order Party to which the cheque will be ordered, when different from the beneficiary. |
| CR | Empty equipment return party Party to whose premises empty equipment will be or has been returned. |
| CRB | Creditor's bank (SWIFT Code) Identifies the account servicer for the creditor. |
| CRE | Creditor (SWIFT Code) The party to be credited with funds. |
| CS | Consolidator Party consolidating various consignments, payments etc. |
| CW | Equipment owner Owner of equipment (container, etc.). |
| CX | Consignee's agent Party authorized to act on behalf of the consignee. |
| CZ | Consignor (3336) Party which, by contract with a carrier, consigns or sends goods with the carrier, or has them conveyed by him. Synonym: shipper, sender. |
| DBB | Debtor's bank (SWIFT Code) Identifies the account servicer for the debtor. |
| DCS | Temporary employee A person employed on a temporary basis. |

Used Codes

| | |
|-----|--|
| DCT | Designer A party who designs. |
| DCU | Quotation delivered to Party to whom the quotation is to be or has been delivered. EDIFACT |
| DCV | Developer A party who develops. |
| DCX | Party to receive refund Party to whom a refund is given. |
| DEF | Meat cutter Person whose job is to cut up and/or mince meat. EDIFACT |
| DEQ | Shipper Party responsible for the shipment of goods. |
| DER | Source data pool A data pool that supports the functionality required by a data source such as data loading, publication, notification, registration, etc. |
| DES | Brand owner The owner of a brand. |
| DFZ | Article information responsible party The party responsible for article information. GS1 Note: Replaces GS1 Temporary Code IPD. |
| DGA | Price information responsible party The party responsible for price information. GS1 Note: Replaces GS1 Temporary Code IPR. |
| DGB | Invoice processing party Party to whom the invoice is sent and who processes the invoice on behalf of the invoicee. Note, the invoicee is legally responsible for the invoice and can be different to the processing party. GS1 Note: Replaces GS1 Temporary Code ITO. |
| DGC | Logistic service provider A party providing logistic services for another party (e.g re-packing suppliers products) on products. GS1 Note: Replaces GS1 Temporary Code LSP. |
| DGD | Fattener Party which provides fattening services. GS1 Note: Replaces GS1 Temporary Code X51. |
| DGE | Breeder Party which provides breeding. GS1 Note: Replaces GS1 Temporary Code X52. |

Used Codes

| | |
|----|--|
| DL | Factor Company offering a financial service whereby a firm sells or transfers title to its accounts receivable to the factoring company. |
| DM | Party to whom documents are to be presented Party to whom documents are to be presented. |
| DP | Delivery party (3144) Party to which goods should be delivered, if not identical with consignee. GS1 Description: Party to which goods should be delivered, if not the same as the buyer. |
| DS | Distributor Party distributing goods, financial payments or documents. |
| EM | Party to receive electronic memo of invoice Party being informed about invoice issue (via EDI). |
| EO | Owner of equipment Party who owns equipment. |
| EX | Exporter (3030) Party who makes - or on whose behalf a Customs clearing agent or other authorized person makes - an export declaration. This may include a manufacturer, seller or other person. Within a Customs union, consignor may have the same meaning as exporter. |
| FD | Buyer's parent company Parent company, e.g. holding company. |
| FP | Freight/charges payer Party responsible for the payment of freight. |
| FR | Message from Party where the message comes from. |
| FW | Freight forwarder Party arranging forwarding of goods. |
| GL | Socially insured person A person who is registered in a social security scheme. |
| GM | Inventory controller To specifically identify the party in charge of inventory control. |
| GO | Goods owner The party which owns the goods. |
| GQ | Slaughterer Party or person who has undertaken or will undertake a slaughter. |

Used Codes

| | |
|-----|---|
| GW | <p>Party fulfilling all operations</p> <p>Code indicating the fact that the party identified carries out all operations within that company's activities.</p> |
| GX | <p>Central catalogue party</p> <p>Party controlling a central catalogue.</p> |
| GY | <p>Inventory reporting party</p> <p>Party reporting inventory information.</p> |
| GZ | <p>Substitute supplier</p> <p>Party which may be in a position to supply products or services should the main usual supplier be unable to do so.</p> |
| HP | <p>Final message recipient</p> <p>To identify the final recipient of the message.</p> |
| HQ | <p>Owner of account (SWIFT Code)</p> <p>Identifies the owner of the account.</p> |
| HX | <p>Debtor (SWIFT Code)</p> <p>Party from whom payment is due.</p> |
| I1 | <p>Intermediary bank 1</p> <p>A financial institution between the ordered bank and the beneficiary's bank.</p> |
| I2 | <p>Intermediary bank 2</p> <p>A financial institution between the ordered bank and the beneficiary's bank.</p> |
| II | <p>Issuer of invoice</p> <p>(3028) Party issuing an invoice.</p> |
| IM | <p>Importer</p> <p>(3020) Party who makes - or on whose behalf a Customs clearing agent or other authorized person makes - an import declaration. This may include a person who has possession of the goods or to whom the goods are consigned.</p> |
| IN | <p>Insurer</p> <p>A person or company offering insurance policies for premiums.</p> |
| IPA | <p>Party information party (GS1 Temporary Code)</p> <p>The party in a company who is responsible for the party information. The PARTIN message may be requested from or sent by this party.</p> |
| IPD | <p>Article information party (GS1 Temporary Code)</p> <p>The party in a company who is responsible for the pricing or other article information. The PRICAT or PRODAT messages may be requested from or sent by this party.</p> <p>GS1 Note: Code marked for deletion. Use value DFZ instead.</p> |
| IPR | <p>Price information party (GS1 Temporary Code)</p> <p>The party in a company who is responsible for the price information. The PRICAT message may be requested from or sent by this party.</p> <p>GS1 Note: Code marked for deletion. Use value DGA instead.</p> |

Used Codes

| | |
|-----|---|
| ITO | <p>Invoice recipient party (GS1 Temporary Code)</p> <p>Party to whom the invoice is sent and who processes the invoice on behalf of the invoicee. Note, the invoicee is legally responsible for the invoice and can be different to the processing party.</p> <p>GS1 Note: Code marked for deletion. Use value DGB instead.</p> |
| IV | <p>Invoicee</p> <p>(3006) Party to whom an invoice is issued.</p> |
| JB | <p>Goods collection party</p> <p>Party that will collect or has collected the goods.</p> <p>GS1 Description:</p> <p>Party that will collect or has collected the goods.</p> |
| LC | <p>Party declaring the Value Added Tax (VAT)</p> <p>A code to identify the party who is responsible for declaring the Value Added Tax (VAT) on the sale of goods or services.</p> |
| LD | <p>Party recovering the Value Added Tax (VAT)</p> <p>A code to identify the party who is eligible to recover the Value Added Tax (VAT) on the sale of goods or services.</p> |
| LF | <p>Buyer's corporate office</p> <p>The identification of the buyer's corporate office.</p> |
| LG | <p>Supplier's corporate office</p> <p>The identification of the supplier's corporate office.</p> |
| LP | <p>Loading party</p> <p>Party responsible for the loading when other than carrier.</p> |
| LSP | <p>Logistic Service Provider (GS1 Temporary Code)</p> <p>A party providing logistic services for another party (e.g re-packing suppliers products) on products which may lead to added value for the product.</p> <p>GS1 Note: Code marked for deletion. Use value DGC instead.</p> |
| MA | <p>Party for whom item is ultimately intended</p> <p>Party for whom item is ultimately intended.</p> |
| MF | <p>Manufacturer of goods</p> <p>Party who manufactures the goods.</p> |
| MP | <p>Manufacturing plant</p> <p>Self explanatory.</p> <p>GS1 Description:</p> <p>Industrial department of a company in which goods are manufactured with appropriate equipment and fittings.</p> |
| MR | <p>Message recipient</p> <p>A party to receive a message or messages.</p> |
| MS | <p>Document/message issuer/sender</p> <p>Issuer of a document and/or sender of a message.</p> |

Used Codes

| | |
|-----|---|
| N1 | Notify party no. 1 The first party which is to be notified. |
| N2 | Notify party no. 2 The second party which is to be notified. |
| NFP | No function priority allocated (GS1 Temporary Code) Code indicating that the party identified is capable of carrying out all or most functions within the party. |
| NI | Notify party (3180) Party to be notified of arrival of goods. |
| OB | Ordered by Party who issued an order. GS1 Description: Party who issued an order for goods and services. |
| OR | Ordered bank Identifies the account servicer for the ordering customer or payor. |
| OS | Original shipper The original supplier of the goods. |
| OV | Owner of means of transport (3126) Party owning the means of transport. No synonym of carrier = CA. |
| OY | Ordering customer Identifies the originator of the instruction. GS1 Description: Only used in financial messages. |
| P1 | Contact party 1 First party to contact. |
| P2 | Contact party 2 Second party to contact. |
| PB | Paying financial institution Financial institution designated to make payment. |
| PE | Payee Identifies the credit party when other than the beneficiary. |
| PF | Party to receive freight bill Party to whom the freight bill should be sent. |
| PL | Payor Identifies the debit party when other than the ordering customer (for banking purposes). |
| PO | Ordering party To be used only if ordering party and buyer are not identical. |

Used Codes

| | |
|----|--|
| PR | Payer (3308) Party initiating payment. |
| PW | Despatch party (3282) Party where goods are collected or taken over by the carrier (i.e. if other than consignor). |
| PX | Party to receive all documents A party which is named to be the recipient of all documents. |
| PY | Checking party Party or contact designated on behalf of carrier or his agent to establish the actual figures for quantities, weight, volume and/or (cube) measurements of goods or containers which are to appear in the transport contract and on which charges will be based. |
| RA | Central bank or regulatory authority Identifies central bank or regulatory authority which must be informed of certain aspects of a message. |
| RB | Receiving financial institution Financial institution designated to receive payment. |
| RE | Party to receive commercial invoice remittance Party to whom payment for a commercial invoice or bill should be remitted. |
| RH | Seller's financial institution Financial institution designated by seller to receive payment. RDFI (ACH transfers). |
| RV | Receiver of cheque Identifies the party which is to receive the actual cheque, when different from the receiver of funds. |
| SA | Sales person number (GS1 Temporary Code) The identification of a sales person number. GS1 Note: Code marked for deletion. Use value SE instead. |
| SE | Seller (3346) Party selling merchandise to a buyer. GS1 Note: Replaces GS1 Temporary Code SA. |
| SF | Ship from Identification of the party from where goods will be or have been shipped. |
| SN | Store number A party keeping a shop or store. GS1 Description: Number allocated to identify a store. |
| SR | Supplier's agent/representative (3254) Party representing the seller for the purpose of the trade transaction. GS1 Description: Party representing the supplier for the purpose of the trade transaction. |

Used Codes

| | |
|-----|---|
| SS | Social securities collector's office Party collecting social securities premiums. |
| ST | Ship to Identification of the party to where goods will be or have been shipped. |
| SU | Supplier Party who supplies goods and/or services. GS1 Description: Party which provides service(s) and/or manufactures or otherwise has possession of goods, and consigns or makes them available in trade. |
| TC | Tax collector's office Party collecting taxes. |
| TPE | Testing party (GS1 Temporary Code) A party authorized to carry out a specified test. |
| TS | Party to receive certified test results Party to whom the certified test results should be sent. |
| UC | Ultimate consignee Party who has been designated on the invoice or packing list as the final recipient of the stated merchandise. |
| UD | Ultimate customer The final recipient of goods. |
| WH | Warehouse keeper (3022) Party taking responsibility for goods entered into a warehouse. |
| WS | Wholesaler Seller of articles, often in large quantities, to be retailed by others. |
| X47 | Cash register number (GS1 Temporary Code) Number allocated to identify a cash register. |
| X48 | Corporate identity (GS1 Temporary Code) The identity of party to whom all other parties of the same commercial organisation are linked. |
| X50 | Mincing plant (GS1 Temporary Code) A place where the meat of animals is cut into very small pieces using a meat grinder. GS1 Note: Code marked for deletion. |
| X51 | Fattener (GS1 Temporary Code) Party which fattens the animal. GS1 Note: Code marked for deletion. Use value DGD instead. |
| X52 | Breeder (GS1 Temporary Code) Party which breeds the animal. GS1 Note: Code marked for deletion. Use value DGE instead. |

Used Codes

| | |
|-------------|---|
| X53 | Content Owner (GS1 Temporary Code) Not available. GS1 Note: Code marked for deletion. |
| X54 | Temperature variation (GS1 Temporary Code) Temperature variation upward or downward |
| X56 | No / missing loading space (GS1 Temporary Code) The goods/consignment/equipment could not be loaded because of no/missing loading space. |
| ZZZ | Mutually defined Party specification mutually agreed between interchanging parties. |
| 3045 | Party name format code Code specifying the representation of a party name. |
| 1 | Name components in sequence as defined in description below Name component 1: Family name. Name component 2: Given name or initials. Name component 3: Given name or initials. Name component 4: Maiden name. Name component 5: Title Group of name components transmitted in sequence with name component 1 transmitted first. The maiden name is the family name given at birth of a female. Other names are self-explanatory. |
| 3055 | Code list responsible agency code Code specifying the agency responsible for a code list. |
| 2 | CEC (Commission of the European Communities) Generic: see also 140, 141, 142, 162. GS1 Description: Commission of the European Communities |
| 3 | IATA (International Air Transport Association) The airline industry's international organisation. GS1 Description: International Air Transport Association |
| 5 | ISO (International Organization for Standardization) International Organization of Standardization. |
| 6 | UN/ECE (United Nations - Economic Commission for Europe) United Nations Economic Commission for Europe. |
| 7 | CEFIC (Conseil Europeen des Federations de l'Industrie Chimique) EDI project for chemical industry. |
| 8 | EDIFICE Standardised electronic commerce forum for companies with interests in computing, electronics and telecommunications. GS1 Description: EDI Forum for companies with Interest in Computing and Electronics (EDI project for EDP/ADP sector). |

Used Codes

| | |
|----|---|
| 9 | GS1 GS1 (formerly EAN International), an organisation of GS1 Member Organisations, which manages the GS1 System. GS1 Description: GS1 International. |
| 10 | ODETTE Organization for Data Exchange through Tele-Transmission in Europe (European automotive industry project). |
| 17 | S.W.I.F.T. Society for Worldwide Interbank Financial Telecommunications s.c. |
| 28 | EDITEUR (European book sector electronic data interchange group) Code identifying the pan European user group for the book industry as an organisation responsible for code values in the book industry. |
| 60 | Assigned by national trade agency The code list is from a national agency. |
| 65 | GS1 France Organisation responsible for GS1 System in France. |
| 68 | GS1 Italy Organisation responsible for GS1 System in Italy. |
| 83 | US, National Retail Federation The National Retail Federation is the trade association for the general merchandise retailing industry. In addition to providing support and education services, they also maintain and publish standard colour and size codes for the retail industry. |
| 84 | DE, BRD (Gesetzgeber der Bundesrepublik Deutschland) German legislature. |
| 86 | Assigned by party originating the message Codes assigned by the party originating the message. |
| 87 | Assigned by carrier Codes assigned by the carrier. |
| 88 | Assigned by owner of operation Assigned by owner of operation (e.g. used in construction). |
| 89 | Assigned by distributor Codes assigned by a distributor. |
| 90 | Assigned by manufacturer Code assigned by the manufacturer. |
| 91 | Assigned by supplier or supplier's agent Codes assigned by a seller or seller's agent. GS1 Description: Code assigned by the supplier or supplier's agent. |

Used Codes

| | |
|-----|---|
| 92 | Assigned by buyer or buyer's agent Codes assigned by a buyer or buyer's agent. |
| 112 | US, U.S. Census Bureau The Bureau of the Census of the U.S. Dept. of Commerce. |
| 113 | GS1 US Organisation responsible for GS1 System in the USA. |
| 116 | US, ANSI ASC X12 American National Standards Institute ASC X12. |
| 131 | DE, German Bankers Association German Bankers' Association. |
| 136 | GS1 UK Organisation responsible for GS1 System in the UK. |
| 137 | AT, Verband oesterreichischer Banken und Bankiers Austrian bankers association. |
| 174 | DE, DIN (Deutsches Institut fuer Normung) German standardization institute. |
| 182 | US, Standard Carrier Alpha Code (Motor) Organisation maintaining the SCAC lists and transportation operating in North America. |
| 194 | AU, AQIS (Australian Quarantine and Inspection Service) Australian Quarantine and Inspection Service. |
| 200 | GS1 Netherlands Organisation responsible for GS1 System in the Netherlands. |
| 245 | GS1 Denmark Organisation responsible for GS1 System in Denmark. |
| 246 | GS1 Germany Organisation responsible for GS1 System in Germany. GS1 Description: German representative of International Article Numbering association (GS1). |
| 260 | Ediel Nordic forum A code to identify Ediel Nordic forum, which is an organization standardizing the use of EDI between the participants in the Nordic power market. |
| 281 | GS1 Belgium & Luxembourg Organisation responsible for GS1 System in Belgium & Luxembourg. |
| 286 | SE, TCO (Tjänstemännes Central Organisation) The Swedish Confederation of Professional Employees. |
| 294 | GS1 Austria Organisation responsible for the GS1 System in Austria. |

Used Codes

| | |
|-----|---|
| 295 | AU, Therapeutic Goods Administration Austrialian administration responsible for the regulation of therapeutic goods in Australia. EDIFACT |
| 297 | IT, Ufficio IVA Ufficio responsabile gestione partite IVA, Italy (Italian Institute issuing VAT registration numbers). EDIFACT |
| 298 | GS1 Spain Organisation responsible for the GS1 System in Spain. |
| 316 | GS1 Finland Organisation responsible for the GS1 system in Finland. |
| 317 | GS1 Brazil Organisation responsible for the GS1 system in Brazil. |
| 324 | GS1 Ireland Organisation responsible for the GS1 system in Ireland. |
| 325 | GS1 Russia Organisation responsible for the GS1 system in Russia. |
| 326 | GS1 Poland Organisation responsible for the GS1 system in Poland. |
| 327 | GS1 Estonia Organisation responsible for the GS1 system in Estonia. |
| 376 | PANTONE Color code controlling organisation |
| 400 | FAO (Food and Agriculture Organisation) Food and Agriculture Organisation of the United Nations. |
| 403 | Comite European de Normalisation Comite Européen de Normalisation (CEN), European committee for standardisation. GS1 Note: Replaces GS1 Temporary Code CEN. |
| 404 | Assigned by logistics service provider Codes assigned by a logistics service provider. GS1 Note: Replaces GS1 Temporary Code X6. |
| CEN | Comite European de Normalisation (GS1 Temporary Code) Comite European de Normalisation. GS1 Note: Code marked for deletion. Use value 403 instead. |
| PMS | Pantone Matching System (GS1 Temporary Code) Pantone Matching System. |

Used Codes

| | |
|-------------|--|
| RAL | DE, Deutsches Institut fuer Guetesicherung und Kennzeichnung (GS1 Temporary Code) German Institute for Quality Assurance and Certification. |
| X5 | IT, Ufficio IVA (GS1 Temporary Code) Ufficio responsabile gestione partite IVA, Italy (Italian Institute issuing VAT registration numbers). |
| X6 | Assigned by logistics service provider (GS1 Temporary Code) Codes assigned by the logistics service provider. GS1 Note: Code marked for deletion. Use value 404 instead. |
| ZZZ | Mutually defined A code assigned within a code list to be used on an interim basis and as defined among trading partners until a precise code can be assigned to the code list. |
| 3139 | Contact function code Code specifying the function of a contact (e.g. department or person). |
| AA | Insurance contact Department/person to contact for matters regarding insurance. |
| AD | Accounting contact The contact responsible for accounting matters. |
| AE | Contract contact Department/person to contact for matters regarding contracts. |
| AM | Claims contact Department/person to contact for matters regarding claims. |
| AP | Accounts payable contact Department/person responsible for the accounts payable function within a corporation. |
| AR | Accounts receivable contact Department/person responsible for the accounts receivable within a corporation. |
| BC | Banking contact Contact person for bank. |
| BJ | Department or person responsible for processing purchase order Identification of the department or person responsible for the processing of purchase orders. |
| BN | Certification contact Code specifying a contact with knowledge of a certification action. |
| BO | After business hours contact Department/person to contact after normal working hours. |

Used Codes

| | |
|-----|--|
| BR | Cook Person responsible for cooking. GS1 Note: Replaces GS1 Temporary Code CKE. |
| CB | Changed by Person who made the change. |
| CKE | Cook (GS1 Temporary Code) Person responsible for cooking. GS1 Note: Code marked for deletion. Use value BR instead. |
| CN | Consignee (3132) Party to which goods are consigned. |
| CO | Consignor (3336) Party which, by contract with a carrier, consigns or sends goods with the carrier, or has them conveyed by him. Synonym: shipper/sender. |
| CP | Responsible person for computer data processing Responsible person to contact for matters regarding computer data processing. |
| CR | Customer relations Individual responsible for customer relations. |
| DE | Department/employee to execute export procedures Department/employee which/who executes export procedures. |
| DI | Department/employee to execute import procedures Department/employee which/who executes import procedures. |
| DL | Delivery contact Department/person responsible for delivery. |
| ED | Engineering contact Department/person to contact for matters regarding engineering. |
| GR | Goods receiving contact Department/person responsible for receiving the goods at the place of delivery. |
| HE | Emergency dangerous goods contact Party who is to be contacted to intervene in case of emergency. |
| HG | Dangerous goods contact Department/person to be contacted for details about the transportation of dangerous goods/hazardous material. |
| IC | Information contact Department/person to contact for questions regarding transactions. |
| LO | Place of collection contact Department/employee to be contacted at the place of collection. |
| MGR | Manager (GS1 Temporary Code) Person responsible for management within a department or company. |

Used Codes

| | |
|-------------|---|
| NT | Notification contact Department/employee to be notified. |
| OC | Order contact An individual to contact for questions regarding this order. |
| PD | Purchasing contact Department/person responsible for issuing this purchase order. |
| PM | Product management contact Department/person to contact for questions regarding this order. |
| QC | Quality coordinator contact Quality coordinator contact within an organization. |
| SA | Sales administration Name of the sales administration contact within a corporation. |
| SD | Shipping contact The shipping department contact within an organization. |
| SR | Sales representative or department The sales representative or department contact within an organization. |
| TA | Traffic administrator The traffic administrator contact within an organization. |
| TD | Test contact Department/person responsible for testing contact. |
| TR | Transport contact Department/person in charge of transportation. |
| WH | Warehouse The warehouse contact within an organization. |
| 3155 | Communication address code qualifier Code qualifying the communication address. |
| AL | Cellular phone Identifies the cellular phone number. |
| AO | Uniform Resource Location (URL) Identification of the Uniform Resource Location (URL) Synonym: World wide web address. EDIFACT |
| AQ | X.400 address for mail text The X.400 address accepting information in the body text of a message. |
| AR | AS1 address Address capable of receiving messages in accordance with the EDIINT/AS1 protocol for MIME based EDI . |

Used Codes

| | |
|-----|--|
| AS | AS2 address Address capable of receiving messages in accordance with the EDIINT/AS2 protocol. |
| AT | AS3 address Address capable of receiving messages in accordance with the EDIINT/AS3 protocol. |
| AU | File Transfer Protocol Address capable for receiving message in accordance with the File Transfer Protocol (IETF RFC 959 et. al.). |
| CA | Cable address The communication number identifies a cable address. |
| EI | EDI Number identifying the service and service user. |
| EM | Electronic mail Exchange of mail by electronic means. GS1 Description: Creating/sending/receiving of unstructured free text messages or documents using computer network, a mini-computer or an attached modem and regular telephone line or other electronic transmission media. |
| EXI | Exite mail (GS1 Temporary Code) Requests that the file shall be returned via Exite. GS1 Note: Code marked for deletion. |
| FX | Fax Device used for transmitting and reproducing fixed graphic material (as printing) by means of signals over telephone lines or other electronic transmission media. |
| IA | Interchange address (GS1 Temporary Code) Code identifying an EDI interchange address. |
| TE | Telephone Voice/data transmission by telephone. |
| TL | Telex Transmission of text/data via telex. |
| XF | X.400 The X.400 address. GS1 Description: CCITT Message handling system. |
| XG | Pager Identifies that the communication number is for a pager. |

Used Codes

3207

Country name code

| Identification of the name of the country or other geographical entity as defined in ISO 3166-1.

Notes:

| 1. Use ISO 3166-1 two alpha country code.

| | |
|----|----------------------------------|
| AD | Andorra |
| AE | United Arab Emirates |
| AF | Afghanistan |
| AG | Antigua and Barbuda |
| AI | Anguilla |
| AL | Albania |
| AM | Armenia |
| AO | Angola |
| AQ | Antarctica |
| AR | Argentina |
| AS | American Samoa |
| AT | Austria |
| AU | Australia |
| AW | Aruba |
| AX | Åland Islands |
| AZ | Azerbaijan |
| BA | Bosnia and Herzegovina |
| BB | Barbados |
| BD | Bangladesh |
| BE | Belgium |
| BF | Burkina Faso |
| BG | Bulgaria |
| BH | Bahrain |
| BI | Burundi |
| BJ | Benin |
| BL | Saint Barthélemy |
| BM | Bermuda |
| BN | Brunei Darussalam |
| BO | Bolivia (Plurinational State of) |

Used Codes

| | |
|----|----------------------------------|
| BQ | Bonaire, Sint Eustatius and Saba |
| BR | Brazil |
| BS | Bahamas |
| BT | Bhutan |
| BV | Bouvet Island |
| BW | Botswana |
| BY | Belarus |
| BZ | Belize |
| CA | Canada |
| CC | Cocos (Keeling) Islands |
| CD | Congo, Democratic Republic of |
| CF | Central African Republic |
| CG | Congo |
| CH | Switzerland |
| CI | Cote D'Ivoire |
| CK | Cook Islands |
| CL | Chile |
| CM | Cameroon |
| CN | China |
| CO | Colombia |
| CR | Costa Rica |
| CU | Cuba |
| CV | Cape Verde |
| CW | Curaçao |
| CX | Christmas Island |
| CY | Cyprus |
| CZ | Czechia |
| DE | Germany |
| DJ | Djibouti |
| DK | Denmark |
| DM | Dominica |
| DO | Dominican Republic |
| DZ | Algeria |

Used Codes

| | |
|----|--|
| EC | Ecuador |
| EE | Estonia |
| EG | Egypt |
| EH | Western Sahara |
| ER | Eritrea |
| ES | Spain |
| ET | Ethiopia |
| FI | Finland |
| FJ | Fiji |
| FK | Falkland Islands (Malvinas) |
| FM | Micronesia (Federated States of) |
| FO | Faroe Islands |
| FR | France |
| GA | Gabon |
| GB | United Kingdom of Great Britain and Northern Ireland |
| GD | Grenada |
| GE | Georgia |
| GF | French Guiana |
| GG | Guernsey |
| GH | Ghana |
| GI | Gibraltar |
| GL | Greenland |
| GM | Gambia |
| GN | Guinea |
| GP | Guadeloupe |
| GQ | Equatorial Guinea |
| GR | Greece |
| GS | South Georgia and the South Sandwich Islands |
| GT | Guatemala |
| GU | Guam |
| GW | Guinea-Bissau |
| GY | Guyana |
| HK | Hong Kong |

Used Codes

| | |
|----|---|
| HM | Heard Island and Mcdonald Islands |
| HN | Honduras |
| HR | Croatia |
| HT | Haiti |
| HU | Hungary |
| ID | Indonesia |
| IE | Ireland |
| IL | Israel |
| IM | Isle Of Man |
| IN | India |
| IO | British Indian Ocean Territory |
| IQ | Iraq |
| IR | Iran (Islamic Republic of) |
| IS | Iceland |
| IT | Italy |
| JE | Jersey |
| JM | Jamaica |
| JO | Jordan |
| JP | Japan |
| KE | Kenya |
| KG | Kyrgyzstan |
| KH | Cambodia |
| KI | Kiribati |
| KM | Comoros |
| KN | Saint Kitts and Nevis |
| KP | Korea (Democratic People'S Republic of) |
| KR | Korea, Republic of |
| KW | Kuwait |
| KY | Cayman Islands |
| KZ | Kazakhstan |
| LA | Lao People'S Democratic Republic |
| LB | Lebanon |
| LC | Saint Lucia |

Used Codes

| | |
|----|--|
| LI | Liechtenstein |
| LK | Sri Lanka |
| LR | Liberia |
| LS | Lesotho |
| LT | Lithuania |
| LU | Luxembourg |
| LV | Latvia |
| LY | Libya |
| MA | Morocco |
| MC | Monaco |
| MD | Moldova, Republic of |
| ME | Montenegro |
| MF | Saint Martin (French Part) |
| MG | Madagascar |
| MH | Marshall Islands |
| MK | Macedonia, the Former Yugoslav Republic of |
| ML | Mali |
| MM | Myanmar |
| MN | Mongolia |
| MO | Macao |
| MP | Northern Mariana Islands |
| MQ | Martinique |
| MR | Mauritania |
| MS | Montserrat |
| MT | Malta |
| MU | Mauritius |
| MV | Maldives |
| MW | Malawi |
| MX | Mexico |
| MY | Malaysia |
| MZ | Mozambique |
| NA | Namibia |
| NC | New Caledonia |

Used Codes

| | |
|----|---------------------------|
| NE | Niger |
| NF | Norfolk Island |
| NG | Nigeria |
| NI | Nicaragua |
| NL | Netherlands |
| NO | Norway |
| NP | Nepal |
| NR | Nauru |
| NU | Niue |
| NZ | New Zealand |
| OM | Oman |
| PA | Panama |
| PE | Peru |
| PF | French Polynesia |
| PG | Papua New Guinea |
| PH | Philippines |
| PK | Pakistan |
| PL | Poland |
| PM | Saint Pierre and Miquelon |
| PN | Pitcairn |
| PR | Puerto Rico |
| PS | Palestine, State of |
| PT | Portugal |
| PW | Palau |
| PY | Paraguay |
| QA | Qatar |
| RE | Reunion |
| RO | Romania |
| RS | Serbia |
| RU | Russian Federation |
| RW | Rwanda |
| SA | Saudi Arabia |
| SB | Solomon Islands |

Used Codes

| | |
|----|--|
| SC | Seychelles |
| SD | Sudan |
| SE | Sweden |
| SG | Singapore |
| SH | Saint Helena, Ascension and Tristan da Cunha |
| SI | Slovenia |
| SJ | Svalbard and Jan Mayen |
| SK | Slovakia |
| SL | Sierra Leone |
| SM | San Marino |
| SN | Senegal |
| SO | Somalia |
| SR | Suriname |
| SS | South Sudan |
| ST | Sao Tome and Principe |
| SV | El Salvador |
| SX | Sint Maarten (Dutch part) |
| SY | Syrian Arab Republic |
| SZ | Swaziland |
| TC | Turks and Caicos Islands |
| TD | Chad |
| TF | French Southern Territories |
| TG | Togo |
| TH | Thailand |
| TJ | Tajikistan |
| TK | Tokelau |
| TL | Timor-Leste |
| TM | Turkmenistan |
| TN | Tunisia |
| TO | Tonga |
| TR | Turkey |
| TT | Trinidad and Tobago |
| TV | Tuvalu |

Used Codes

| | |
|----|--------------------------------------|
| TW | Taiwan, Province of China |
| TZ | Tanzania, United Republic of |
| UA | Ukraine |
| UG | Uganda |
| UM | United States Minor Outlying Islands |
| US | United States of America |
| UY | Uruguay |
| UZ | Uzbekistan |
| VA | Holy See |
| VC | Saint Vincent and the Grenadines |
| VE | Venezuela (Bolivarian Republic of) |
| VG | Virgin Islands, British |
| VI | Virgin Islands, U.S. |
| VN | Viet Nam |
| VU | Vanuatu |
| WF | Wallis and Futuna |
| WS | Samoa |
| YE | Yemen |
| YT | Mayotte |
| ZA | South Africa |
| ZM | Zambia |
| ZW | Zimbabwe |

3227

Location function code qualifier
Code identifying the function of a location.

- | | |
|---|---|
| 1 | Place of terms of delivery (3018) Point or port of departure, shipment or destination, as required under the applicable terms of delivery, e.g. Incoterms. |
| 2 | Payment place Place where funds are to be, or have been made available to the creditor. |
| 5 | Place of departure (3214) Port, airport or other location from which a means of transport or transport equipment is scheduled to depart or has departed. |
| 7 | Place of delivery (3246) Place to which the goods are to be finally delivered under transport contract terms (operational term). |

Used Codes

| | |
|----|---|
| 8 | Place of destination Port, airport or other location to which a means of transport or transport equipment is destined. |
| 9 | Place/port of loading (3334 + 3230) Seaport, airport, freight terminal, rail station or other place at which the goods (cargo) are loaded on to the means of transport being used for their carriage. |
| 10 | Place of acceptance (3348) Place at which the goods are taken over by the carrier. |
| 11 | Place/port of discharge (3392 + 3414) Seaport, airport, freight terminal, rail station or other place at which the goods (cargo) are unloaded from the means of transport having been used for their carriage. |
| 13 | Place of transshipment (3424) Place where goods are transferred from one means of transport to another (operational term). |
| 14 | Location of goods (3384) Place where goods are located and where they are available for examination. |
| 17 | Border crossing place Place where goods are transported across a country border. |
| 18 | Warehouse (3156) Warehouse where a particular consignment has been stored. |
| 19 | Factory/plant Factory/plant relevant for a particular consignment. |
| 22 | Customs office of clearance (3080) Place where Customs clearance procedure occur (CCC). |
| 24 | Port of entry Port where final documentation is filed for Customs Entry processing. |
| 27 | Country of origin [3238] Country in which the goods have been produced or manufactured, according to criteria laid down for the purposes of application of the Customs tariff, of quantitative restrictions, or of any other measure related to trade. |
| 28 | Country of destination of goods Country to which the goods are to be delivered. |
| 30 | Country of source Country in which raw material or components were originally produced prior to manufacture or assembly in another country. |

Used Codes

| | |
|----|--|
| 33 | <p>Baseport of discharge</p> <p>The port of discharge according to the tariff as opposed to the operational port of discharge. The goods may or may not be actually discharged at that port on the main transport.</p> |
| 34 | <p>Baseport of loading</p> <p>The port of loading according to the tariff as opposed to the operational port of loading. The goods may or may not be actually loaded at that port on the main transport.</p> |
| 35 | <p>Country of exportation/despatch</p> <p>(3220) Country from which the goods were initially exported to the importing country without any commercial transaction taking place in intermediate countries. Syn.: country whence consigned. Country of despatch: country from which goods are despatched between countries of a Customs union.</p> |
| 36 | <p>Country of ultimate destination</p> <p>(3216) Country known to the consignor or his agent at the time of despatch to be the final country to which the goods are to be delivered.</p> |
| 37 | <p>Country of last consignment</p> <p>[3331] Country where the goods are loaded onto the means of transport used for their importation.</p> |
| 38 | <p>Country of first destination</p> <p>[3219] Country where the goods are offloaded from the means of transport used for their exportation.</p> |
| 39 | <p>Country of production</p> <p>Country where item has been or will be produced.</p> |
| 40 | <p>Country of trading</p> <p>Country where item has been or will be traded.</p> |
| 42 | <p>Customs office of exit</p> <p>[3096] Customs office at which the goods leave the country of dispatch/export.</p> |
| 45 | <p>Customs office of destination (transit)</p> <p>(3086) Customs office at which a transit operation is terminated. Synonym: Customs office of transit termination.</p> |
| 47 | <p>Region of destination</p> <p>Region known to the consignor or his agent at the time of despatch to be the final region to which the goods are to be delivered.</p> |
| 53 | <p>Charge and freight due from</p> <p>Place or point from which charges and freight are charged.</p> |
| 55 | <p>Charges and freight payable to</p> <p>[3274] Name of place up to which freight charges and other charges are to be paid.</p> |

Used Codes

| | |
|-----|---|
| 57 | Place of payment Name of the location at which freight and charges for main transport are payable. |
| 60 | Place of arrival Place at which the transport means arrives. |
| 80 | Place of despatch Place at which the goods are taken over for carriage (operational term), if different from the transport contract place of acceptance (see: 10). Synonym: Place of origin of carriage. |
| 82 | Pre-carriage port Port of loading at which the cargo is loaded on the pre-carriage vessel used for the transport prior to the main transport. |
| 83 | Place of delivery (by on-carriage) Place to which the goods are to be finally delivered. |
| 88 | Place of receipt Identification of the location at which the cargo is actually received. |
| 92 | Routing Indication of a routing place. |
| 106 | Region of origin Region in which the goods have been produced or manufactured according to the criteria laid down for the purposes of the application of the Customs tariff, of quantitative restrictions or of any other measures related to trade (see: 3238). |
| 121 | Country of sale [3116] Country where exporter's co-contractor is domiciled or has his business. |
| 159 | Additional internal destination Any location within the consignee's premises where the goods are moved to. |
| 162 | Place or location of sale Place or location at which the sale takes place. |
| 184 | Physical location Identifies the physical location. |
| 241 | Country of birth Country where a person or an animal was born. |
| 242 | Country of fattening Country where an animal has been fattened. |
| 243 | Country of slaughter Country where an animal has been slaughtered. |

Used Codes

| | |
|-----|---|
| 244 | Country of meat cutting Country where the meat is cut into pieces. Country where an animal's carcass has been cut into smaller pieces. |
| 245 | Meat cutting location A location where the meat is cut into pieces. EDIFACT |
| 246 | Slaughterhouse Place for the slaughter of animals as food. |
| 247 | Country of meat mincing Country where meat has been cut into very small pieces using a meat grinder. |
| 256 | Place of packing Place where goods are packaged. EDIFACT |
| 257 | Country of assembly Country where product is assembled. Uses ISO country codes. |
| 298 | Country of last processing The country where the trade item was last processed. |
| 299 | Fishing vessel Fishing vessel as a place of production |
| 300 | Location of status The identification of the location of a status. GS1 Note: Replaces GS1 Temporary Code 16E. |
| 301 | Location of meter The identification of the location of a meter. GS1 Note: Replaces GS1 Temporary Code 17E. |
| 303 | Meat mincing plant A place where the meat is cut into very small pieces using a meat grinder. GS1 Note: Replaces GS1 Temporary Code 41E. |
| 304 | Place of fattening Place where an animal has been fattened. GS1 Note: Replaces GS1 Temporary Code 42E. |
| 305 | Animal birth place Location where an animal was born. GS1 Note: Replaces GS1 Temporary Code 43E. |
| 306 | Global Good Agricultural Practice Number (GGN) The Global Good Agricultural Practice Number (GGN) is a 13-digit number that uniquely identifies each producer and individual member of a producer group in the GLOBAL G.A.P. Database. |

Used Codes

| | |
|-------------|---|
| 16E | Location of status (GS1 Temporary Code) Identification of the location of a status. GS1 Note: Code marked for deletion. Use value 300 instead. |
| 17E | Location of meter (GS1 Temporary Code) The identification of the location of a meter. GS1 Note: Code marked for deletion. Use value 301 instead. |
| 18E | Country of provenance (GS1 Temporary Code) The country of provenance of a consignment or product. |
| 21E | Testing location (GS1 Temporary Code) The location where a test is being performed. |
| 22E | Movement to location (GS1 Temporary Code) Identification of the location to where goods are to be moved. |
| 23E | Return location (GS1 Temporary Code) The identification of a location for the return of goods. |
| 41E | Mincing plant (GS1 Temporary Code) A place where the meat of animals is cut into very small pieces using a meat grinder. GS1 Note: Code marked for deletion. Use value 303 instead. |
| 42E | Place of fattening (GS1 Temporary Code) Place where the animal has been fattened before killing for food. GS1 Note: Code marked for deletion. Use value 304 instead. |
| 43E | Animal's Birth Place (GS1 Temporary Code) Place/Location where an animal was born (GLN or Veterinary licence number) GS1 Note: Code marked for deletion. Use value 305 instead. |
| 3453 | Language name code Code specifying the language name. Notes: 1. Use ISO 639-1988. |
| AA | Afar |
| aa | Afar |
| AB | Abkhazian |
| ab | Abkhazian |
| AE | Avestan |
| ae | Avestan |
| AF | Afrikaans |
| af | Afrikaans |
| AK | Akan |

Used Codes

| | |
|----|-------------|
| ak | Akan |
| AM | Amharic |
| am | Amharic |
| AN | Aragonese |
| an | Aragonese |
| AR | Arabic |
| ar | Arabic |
| AS | Assamese |
| as | Assamese |
| AV | Avaric |
| av | Avaric |
| AY | Aymara |
| ay | Aymara |
| AZ | Azerbaijani |
| az | Azerbaijani |
| BA | Bashkir |
| ba | Bashkir |
| BE | Belarusian |
| be | Belarusian |
| BG | Bulgarian |
| bg | Bulgarian |
| BH | Bihari |
| bh | Bihari |
| BI | Bislama |
| bi | Bislama |
| BM | Bambara |
| bm | Bambara |
| BN | Bengali |
| bn | Bengali |
| BO | Tibetan |
| bo | Tibetan |
| BR | Breton |
| br | Breton |

Used Codes

| | |
|----|--|
| BS | Bosnian |
| bs | Bosnian |
| CA | Catalan; Valencian |
| ca | Catalan; Valencian |
| CE | Chechen |
| ce | Chechen |
| CH | Chamorro |
| ch | Chamorro |
| CO | Corsican |
| co | Corsican |
| CR | Cree |
| cr | Cree |
| CS | Czech |
| cs | Czech |
| CU | Church Slavic; Old Slavonic; Church Slavonic; Old Bulgarian; Old Church Slavonic |
| cu | Church Slavic; Old Slavonic; Church Slavonic; Old Bulgarian; Old Church Slavonic |
| CV | Chuvash |
| cv | Chuvash |
| CY | Welsh |
| cy | Welsh |
| DA | Danish |
| da | Danish |
| DE | German |
| de | German |
| DV | Divehi; Dhivehi; Maldivian |
| dv | Divehi; Dhivehi; Maldivian |
| DZ | Dzongkha |
| dz | Dzongkha |
| EE | Ewe |
| ee | Ewe |
| EL | Greek; Modern (1453-) |
| el | Greek; Modern (1453-) |

Used Codes

| | |
|----|-------------------------|
| EN | English |
| en | English |
| EO | Esperanto |
| eo | Esperanto |
| ES | Spanish; Castilian |
| es | Spanish; Castilian |
| ET | Estonian |
| et | Estonian |
| EU | Basque |
| eu | Basque |
| FA | Persian |
| fa | Persian |
| FF | Fulah |
| ff | Fulah |
| FI | Finnish |
| fi | Finnish |
| FJ | Fijian |
| fj | Fijian |
| FO | Faroese |
| fo | Faroese |
| FR | French |
| fr | French |
| FY | Western Frisian |
| fy | Western Frisian |
| GA | Irish |
| ga | Irish |
| GD | Gaelic; Scottish Gaelic |
| gd | Gaelic; Scottish Gaelic |
| GL | Galician |
| gl | Galician |
| GN | Guarani |
| gn | Guarani |
| GU | Gujarati |

Used Codes

| | |
|----|--|
| gu | Gujarati |
| GV | Manx |
| gv | Manx |
| HA | Hausa |
| ha | Hausa |
| HE | Hebrew |
| he | Hebrew |
| HI | Hindi |
| hi | Hindi |
| HO | Hiri Motu |
| ho | Hiri Motu |
| HR | Croatian |
| hr | Croatian |
| HT | Haitian; Haitian Creole |
| ht | Haitian; Haitian Creole |
| HU | Hungarian |
| hu | Hungarian |
| HY | Armenian |
| hy | Armenian |
| HZ | Herero |
| hz | Herero |
| IA | Interlingua (International Auxiliary Language Association) |
| ia | Interlingua (International Auxiliary Language Association) |
| ID | Indonesian |
| id | Indonesian |
| IE | Interlingue |
| ie | Interlingue |
| IG | Igbo |
| ig | Igbo |
| II | Sichuan Yi |
| ii | Sichuan Yi |
| IK | Inupiaq |
| ik | Inupiaq |

Used Codes

| | |
|----|--------------------------|
| IO | Ido |
| io | Ido |
| IS | Icelandic |
| is | Icelandic |
| IT | Italian |
| it | Italian |
| IU | Inuktiut |
| iu | Inuktiut |
| JA | Japanese |
| ja | Japanese |
| JV | Javanese |
| jv | Javanese |
| KA | Georgian |
| ka | Georgian |
| KG | Kongo |
| kg | Kongo |
| KI | Kikuyu; Gikuyu |
| ki | Kikuyu; Gikuyu |
| KJ | Kuanyama; Kwanyama |
| kj | Kuanyama; Kwanyama |
| KK | Kazakh |
| kk | Kazakh |
| KL | Kalaallisut; Greenlandic |
| kl | Kalaallisut; Greenlandic |
| KM | Central Khmer |
| km | Central Khmer |
| KN | Kannada |
| kn | Kannada |
| KO | Korean |
| ko | Korean |
| KR | Kanuri |
| kr | Kanuri |
| KS | Kashmiri |

Used Codes

| | |
|----|----------------------------------|
| ks | Kashmiri |
| KU | Kurdish |
| ku | Kurdish |
| KV | Komi |
| kv | Komi |
| KW | Cornish |
| kw | Cornish |
| KY | Kirghiz; Kyrgyz |
| ky | Kirghiz; Kyrgyz |
| LA | Latin |
| la | Latin |
| LB | Luxembourgish; Letzeburgesch |
| lb | Luxembourgish; Letzeburgesch |
| LG | Ganda |
| lg | Ganda |
| LI | Limburgan; Limburger; Limburgish |
| li | Limburgan; Limburger; Limburgish |
| LN | Lingala |
| ln | Lingala |
| LO | Lao |
| lo | Lao |
| LT | Lithuanian |
| lt | Lithuanian |
| LU | Luba-Katanga |
| lu | Luba-Katanga |
| LV | Latvian |
| lv | Latvian |
| MG | Malagasy |
| mg | Malagasy |
| MH | Marshallese |
| mh | Marshallese |
| MI | Maori |
| mi | Maori |

Used Codes

| | |
|----|---------------------------------------|
| MK | Macedonian |
| mk | Macedonian |
| ML | Malayalam |
| ml | Malayalam |
| MN | Mongolian |
| mn | Mongolian |
| MO | Moldavian; Moldovan |
| mo | Moldavian; Moldovan |
| MR | Marathi |
| mr | Marathi |
| MS | Malay |
| ms | Malay |
| MT | Maltese |
| mt | Maltese |
| MY | Burmese |
| my | Burmese |
| NA | Nauru |
| na | Nauru |
| NB | Bokmal Norwegian; Norwegian Bokmal |
| nb | Bokmal Norwegian; Norwegian Bokmal |
| ND | Ndebele; North; North Ndebele |
| nd | Ndebele; North; North Ndebele |
| NE | Nepali |
| ne | Nepali |
| NG | Ndonga |
| ng | Ndonga |
| NL | Dutch; Flemish |
| nl | Dutch; Flemish |
| NN | Norwegian Nynorsk; Nynorsk, Norwegian |
| nn | Norwegian Nynorsk; Nynorsk, Norwegian |
| NO | Norwegian |
| no | Norwegian |
| NR | Ndebele; South; South Ndebele |

Used Codes

| | |
|----|--------------------------------|
| nr | Ndebele; South; South Ndebele |
| NV | Navajo; Navaho |
| nv | Navajo; Navaho |
| NY | Chichewa; Chewa; Nyanja |
| ny | Chichewa; Chewa; Nyanja |
| OC | Occitan (post 1500); Provençal |
| oc | Occitan (post 1500); Provençal |
| OJ | Ojibwa |
| oj | Ojibwa |
| OM | Oromo |
| om | Oromo |
| OR | Oriya |
| or | Oriya |
| OS | Ossetian; Ossetic |
| os | Ossetian; Ossetic |
| PA | Panjabi; Punjabi |
| pa | Panjabi; Punjabi |
| PI | Pali |
| pi | Pali |
| PL | Polish |
| pl | Polish |
| PS | Pushto; Pashto |
| ps | Pushto; Pashto |
| PT | Portuguese |
| pt | Portuguese |
| QU | Quechua |
| qu | Quechua |
| RM | Romansh |
| rm | Romansh |
| RN | Rundi |
| rn | Rundi |
| RO | Romanian |
| ro | Romanian |

Used Codes

| | |
|----|--------------------|
| RU | Russian |
| ru | Russian |
| RW | Kinyarwanda |
| rw | Kinyarwanda |
| SA | Sanskrit |
| sa | Sanskrit |
| SC | Sardinian |
| sc | Sardinian |
| SD | Sindhi |
| sd | Sindhi |
| SE | Northern Sami |
| se | Northern Sami |
| SG | Sango |
| sg | Sango |
| SI | Sinhala; Sinhalese |
| si | Sinhala; Sinhalese |
| SK | Slovak |
| sk | Slovak |
| SL | Slovenian |
| sl | Slovenian |
| SM | Samoan |
| sm | Samoan |
| SN | Shona |
| sn | Shona |
| SO | Somali |
| so | Somali |
| SQ | Albanian |
| sq | Albanian |
| SR | Serbian |
| sr | Serbian |
| SS | Swati |
| ss | Swati |
| ST | Sotho, Southern |

Used Codes

| | |
|----|-----------------------|
| st | Sotho, Southern |
| SU | Sundanese |
| su | Sundanese |
| SV | Swedish |
| sv | Swedish |
| SW | Swahili |
| sw | Swahili |
| TA | Tamil |
| ta | Tamil |
| TE | Telugu |
| te | Telugu |
| TG | Tajik |
| tg | Tajik |
| TH | Thai |
| th | Thai |
| TI | Tigrinya |
| ti | Tigrinya |
| TK | Turkmen |
| tk | Turkmen |
| TL | Tagalog |
| tl | Tagalog |
| TN | Tswana |
| tn | Tswana |
| TO | Tonga (Tonga Islands) |
| to | Tonga (Tonga Islands) |
| TR | Turkish |
| tr | Turkish |
| TS | Tsonga |
| ts | Tsonga |
| TT | Tatar |
| tt | Tatar |
| TW | Twi |
| tw | Twi |

Used Codes

| | |
|----|----------------|
| TY | Tahitian |
| ty | Tahitian |
| UG | Uighur; Uyghur |
| ug | Uighur; Uyghur |
| UK | Ukrainian |
| uk | Ukrainian |
| UR | Urdu |
| ur | Urdu |
| UZ | Uzbek |
| uz | Uzbek |
| VE | Venda |
| ve | Venda |
| VI | Vietnamese |
| vi | Vietnamese |
| VO | Volapük |
| vo | Volapük |
| WA | Walloon |
| wa | Walloon |
| WO | Wolof |
| wo | Wolof |
| XH | Xhosa |
| xh | Xhosa |
| YI | Yiddish |
| yi | Yiddish |
| YO | Yoruba |
| yo | Yoruba |
| ZA | Zhuang; Chuang |
| za | Zhuang; Chuang |
| ZH | Chinese |
| zh | Chinese |
| ZU | Zulu |
| zu | Zulu |

Used Codes

| | |
|-------------|--|
| 4053 | <p>Delivery or transport terms description code Code specifying the delivery or transport terms.</p> <p>Notes: 1. Recommend use UN/ECE Recommendation No. 5 Incoterms 1990. If directory codes or Recommendation No. 5 codes are not applicable, use appropriate code set in combination with 1131/3055.</p> |
| 01E | <p>Contact delivery party before delivery (GS1 Temporary Code) Indication that the delivery party should be contacted before delivery.</p> |
| 02E | <p>Despatch goods urgent delivery (GS1 Temporary Code) Requests that the goods be despatched urgently.</p> |
| 03E | <p>Special delivery conditions (GS1 Temporary Code) Indication that the delivery is subject to special conditions agreed between the trading partners.</p> |
| 04E | <p>Cash on delivery (GS1 Temporary Code) Indication that the delivery is subject to cash on delivery conditions.</p> |
| RDN | <p>Return the delivery note signed by the goods recipient (GS1 Temporary Code) Indication that the delivery note has to be returned signed by the goods recipient.</p> |
| RPD | <p>Return the number of the "proof of delivery" generated by the goods recipient has to be returned (GS1 Temporary Code) Indication that the number of the "proof of delivery" generated by the goods recipient has to be returned.</p> |
| SD | <p>Shipment of order split over more than one means of transport (GS1 Temporary Code) Shipment of an order has been split over more than one means of transport.</p> |
| 4055 | <p>Delivery or transport terms function code Code specifying the function of delivery or transport terms.</p> |
| 1 | <p>Price condition Specifies a condition related to the price which a seller must fulfil before the buyer will complete a purchase. GS1 Description: Specific price condition under which goods must be delivered to the consignee.</p> |
| 2 | <p>Despatch condition Condition requested by the customer under which the supplier shall deliver: Extent of freight costs, means of transport.</p> |
| 3 | <p>Price and despatch condition Condition related to price and despatch that the seller must complete before the customer will agree payment. GS1 Description: Terms of delivery relate to both price and despatch condition.</p> |

Used Codes

| | |
|-------------|---|
| 4 | Collected by customer Indicates that the customer will pick up the goods at the supplier. He will take care of the means of transport. |
| 5 | Transport condition Specifies the conditions under which the transport takes place under the responsibility of the carrier. |
| 6 | Delivery condition Specifies the conditions under which the goods must be delivered to the consignee. |
| 7 | Delivered by supplier Indicates that the supplier will arrange the delivery of goods. He will take care of the means of transport. GS1 Note: Replaces GS1 Temporary Code 10E. |
| 8 | Delivery arranged by logistic service provider Code indicating that the logistic service provider will arrange the delivery of goods. GS1 Note: Replaces GS1 Temporary Code 11E. |
| 10E | Delivered by supplier (GS1 Temporary Code) Indicates that the supplier will arrange the delivery of goods. He will take care of the means of transport. GS1 Note: Code marked for deletion. Use value 7 instead |
| 11E | Delivery arranged by logistic service provider (GS1 Temporary Code) Code indicating that the logistic service provider will arrange the delivery of goods. GS1 Note: Code marked for deletion. Use value 8 instead. |
| 4065 | Contract and carriage condition code Code to identify the conditions of contract and carriage. |
| 1 | AVC conditions General conditions of transport 1983, latest revision laid down by the Stichting Vervoeradres The Hague. |
| 2 | Special agreement for parcels transport Appliance of a non published special agreement signed between a customer and the carrier (mandatory requested by the consignor) for parcels transport. |
| 3 | Special agreement for full loading transport Appliance of a non published special agreement signed between a customer and the carrier (mandatory requested by the consignor) for full load transport. |
| 4 | Combined transport A transport which involves more than one mode of transportation. |
| 5 | FIATA combined transport bill of lading Standard conditions of a combined transport bill of lading issued by FIATA. |

Used Codes

| | |
|-------------|---|
| 6 | Freight forwarders national conditions The contract and carriage conditions as established by freight forwarders on a national basis. |
| 7 | Normal tariff, parcels transport Appliance of the published legal tariff in case of parcels transport (required or not by the consignor). |
| 8 | Normal tariff, full loading transport Appliance of the published legal tariff in case of full load transport (required or not by the consignor). |
| 9 | Ordinary Carrier will choose the cheapest tariff in the legally published tariffs for parcels or full load transports (no tariff required by the consignor). |
| 10 | Port to port The transport will only be port to port, no inland transport would have to be provided under the contract. |
| 11 | CMR carnet Conditions in accordance with the convention of the contract for the international carriage of goods by road. |
| 12 | Special tariff, parcels transport Appliance of the legally published "special" tariff in case or parcels transport (tariff requested by the consignor). |
| 13 | Special tariff, full transport Appliance of the legally published "special tariff" in case of full load transport (tariff requested by the consignor). |
| 14 | Through transport The transport that is contracted not only from port to port, but from one inland location to another inland location. |
| 4079 | Handling instruction description code Code specifying a handling instruction. |
| 1 | Heat sensitive The object is heat sensitive. |
| 2 | Store in dry environment The object must be stored in dry environment. |
| 3 | Stacked The identified item is, or can be stacked. |
| 11 | Refrigeration required Item must be refrigerated for proper handling. |
| 12 | Refrigeration not required Item does not need to be refrigerated for proper handling. |

Used Codes

| | |
|-----|--|
| 13 | <p>Destroy</p> <p>The identified goods are to be destroyed according to specified instructions. GS1 Note: Replaces GS1 Temporary Code DES.</p> |
| 14 | <p>Keep frozen</p> <p>The identified products is frozen and should be kept frozen. GS1 Note: Replaces GS1 Temporary Code FRO.</p> |
| 15 | <p>Hang garment</p> <p>The identified product(s) should be handled as a hanging garment. GS1 Note: Replaces GS1 Temporary Code HGA.</p> |
| 16 | <p>Labeling required</p> <p>The identified product is/are to be labelled. GS1 Note: Replaces GS1 Temporary Code LAB.</p> |
| 17 | <p>Keep in a lying position</p> <p>The identified product(s) should be kept in a lying position. GS1 Note: Replaces GS1 Temporary Code LYG.</p> |
| 18 | <p>Move according to instruction</p> <p>The identified product is to be moved according to instructions specified. GS1 Note: Replaces GS1 Temporary Code MOV.</p> |
| 19 | <p>Pack according to instruction</p> <p>The identified product is to be packed according to the instructions provided. GS1 Note: Replaces GS1 Temporary Code PAC.</p> |
| 20 | <p>Prepare for shipment</p> <p>The identified product(s) is(are) to be prepared for shipment. GS1 Note: Replaces GS1 Temporary Code PFS.</p> |
| 21 | <p>Reserve according to instruction</p> <p>Reserve identified goods according to specified instructions. GS1 Note: Replaces GS1 Temporary Code RES.</p> |
| 22 | <p>Light sensitive</p> <p>The product is sensitive to light. GS1 Note: Replaces GS1 Temporary Code SLT.</p> |
| 23 | <p>Transit or cross docking delivery request</p> <p>The identified product is to be delivered via a transit or cross docking facility. GS1 Note: Replaces GS1 Temporary Code TRD.</p> |
| 24 | <p>Unpacking required</p> <p>The identified product is to be unpacked from the identified package. GS1 Note: Replaces GS1 Temporary Code UNP.</p> |
| 25 | <p>Keep in upright/standing position</p> <p>The identified product should be kept in an upright or standing position. GS1 Note: Replaces GS1 Temporary Code UPR.</p> |
| AVI | <p>Live animal (GS1 Temporary Code)</p> <p>The identified product consists of live animals.</p> |

Used Codes

| | |
|-----|--|
| BIG | Outsized (GS1 Temporary Code) The identified product is oversized. |
| CRU | Crushable (GS1 Temporary Code) The identified product is fragile. |
| DAE | Dangerous article (GS1 Temporary Code) A code indicating that an article is dangerous. |
| DCE | Delivery via distribution centre (GS1 Temporary Code) Code marked for deletion. |
| DDE | Direct delivery (GS1 Temporary Code) Code marked for deletion. |
| DES | Destroy (GS1 Temporary Code) The identified goods are to be destroyed according to specified instructions. GS1 Note: Code marked for deletion. Use value 13 instead. |
| EAT | Foodstuffs (GS1 Temporary Code) The identified product consists of food. |
| FAC | Factory package (GS1 Temporary Code) Item isn't packed for end consumer. Repacking might be necessary |
| FRO | Frozen (GS1 Temporary Code) The identified products is frozen and should be kept frozen. GS1 Note: Code marked for deletion. Use value 14 instead. |
| FTD | Frost danger (GS1 Temporary Code) The identified product is susceptible to frost. |
| HEA | Heavy cargo/150 kg and over per piece (GS1 Temporary Code) The identified product weighs more than 150 kg per piece. |
| HGA | Hanging garment (GS1 Temporary Code) The identified product(s) should be handled as a hanging garment. GS1 Note: Code marked for deletion. Use value 15 instead. |
| HWC | Handle with care (GS1 Temporary Code) Handle the identified product carefully. |
| LAB | Label (GS1 Temporary Code) The identified product is/are to be labelled. GS1 Note: Code marked for deletion. Use value 16 instead. |
| LYG | Lying (GS1 Temporary Code) The identified product(s) should be kept in a lying position. GS1 Note: Code marked for deletion. Use value 17 instead. |
| MF | Multiple facings (GS1 Temporary Code) The item has multiple facings (views) for presentation in the shelf. |

Used Codes

| | |
|-----|--|
| MOV | Move (GS1 Temporary Code) The identified product is to be moved according to instructions specified. GS1 Note: Code marked for deletion. Use value 18 instead. |
| NES | Nestable (GS1 Temporary Code) A package which can be stacked into similar package types e.g applies for dishes, plates, bowls or buckets. |
| NSD | Nesting depth (GS1 Temporary Code) The item can be stacked into into each other (e.g. plates, bowls or buckets). The nesting refers to the depth of the item's facing (main view). |
| NSH | Nesting height (GS1 Temporary Code) The item can be stacked into into each other (e.g. plates, bowls or buckets). The nesting refers to the height of the item's facing (main view). |
| NSW | Nesting width (GS1 Temporary Code) The item can be stacked into into each other (e.g. plates, bowls or buckets). The nesting refers to the width of the item's facing (main view). |
| NWP | Newspapers, magazines (GS1 Temporary Code) Code marked for deletion. |
| OHG | Overhang item (GS1 Temporary Code) The identified product is overhanging. |
| PAC | Pack (GS1 Temporary Code) The identified product is to be packed according to the instructions provided. GS1 Note: Code marked for deletion. Use value 19 instead. |
| PER | Perishable cargo (GS1 Temporary Code) Code marked for deletion. |
| PFS | Prepare for shipment (GS1 Temporary Code) The identified product(s) is(are) to be prepared for shipment. GS1 Note: Code marked for deletion. Use value 20 instead. |
| PIC | Pick (GS1 Temporary Temporary Code) The identified product is to be picked. |
| PKS | Pick in sequence (GS1 Temporary Code) The identified product is to be picked according to a specific sequence. |
| PSC | Pest controlling (GS1 Temporary Code) The identified product shall be protected from pests. |
| RCY | Recyclable packaging (GS1 Temporary Code) Code marked for deletion. |
| RES | Reserve (GS1 Temporary Code) Reserve identified goods according to specified instructions. GS1 Note: Code marked for deletion. Use value 21 instead. |

Used Codes

| | |
|-------------|---|
| RFG | Flammable compressed gas (GS1 Temporary Code) Code marked for deletion. |
| RFL | Flammable liquid (GS1 Temporary Code) Code marked for deletion. |
| RFS | Flammable solid (GS1 Temporary Code) Code marked for deletion. |
| RPB | Poison (GS1 Temporary Code) Code marked for deletion. |
| SLT | Sensitive to light (GS1 Temporary Code) The product is sensitive to light. GS1 Note: Code marked for deletion. Use value 22 instead. |
| SSN | Smell sensitive (GS1 Temporary Code) The identified product has a strong odour. |
| STR | Stacking restricted (GS1 Temporary Code) The identified product has limited stackability. |
| TRD | Transit or cross docking delivery (GS1 Temporary Code) The identified product is to be delivered via a transit or cross docking facility. GS1 Note: Code marked for deletion. Use value 23 instead. |
| UNP | Unpack (GS1 Temporary Code) The identified product is to be unpacked from the identified package. GS1 Note: Code marked for deletion. Use value 24 instead. |
| UPR | Upright/standing (GS1 Temporary Code) The identified product should be kept in an upright or standing position. GS1 Note: Code marked for deletion. Use value 25 instead. |
| UST | Unstackable (GS1 Temporary Code) The identified product is not stackable. |
| VAL | Valuable cargo (GS1 Temporary Code) The identified product is valuable cargo. |
| 4215 | Transport charges payment method code Code specifying the payment method for transport charges. |
| AA | Cash on delivery service charge paid by consignor An indication that the consignor is responsible for the payment of the cash on delivery service charge. |
| AB | Cash on delivery service charge paid by consignee An indication that the consignee is responsible for the payment of the cash on delivery service charge. |

Used Codes

| | |
|----|--|
| AC | Insurance costs paid by consignor An indication that the consignor is responsible for the payment of the insurance costs. |
| AD | Insurance costs paid by consignee An indication that the consignee is responsible for the payment of the insurance costs. |
| AE | Goods collected from store Customer collects goods from the store. GS1 Note: Replaces GS1 Temporary Code X1. |
| CA | Advance collect The amount of freight or other charge on a shipment advanced by one transportation line to another or to the shipper, to be collected from consignee. |
| CC | Collect A shipment on which freight charges will be paid by consignee. |
| CF | Collect, freight credited to payment customer The freight is collect but has been paid by the shipper and will be credited to that party. GS1 Description: A shipment on which freight charges will be paid by the consignee. |
| DF | Defined by buyer and supplier The payment method for transport charges have been defined by the buyer and seller. |
| MX | Mixed The consignment is partially collect and partially prepaid. |
| NC | Service freight, no charge The consignment is shipped on a service basis and there is no freight charge. GS1 Description: No charge is due owing to the use of service freight. |
| PC | Prepaid but charged to customer Shipping charges have been paid in advance of shipment but are charged back to consignee usually as line item on invoice for the purchased goods. |
| PO | Prepaid only Payment in advance of freight and/or other charges prior to delivery of shipment at destination, usually by shipper at point of origin. |
| PP | Prepaid (by seller) Seller of goods makes payment to carrier for freight charges prior to shipment. |
| PU | Pickup Customer is responsible for payment of pickup charges at shipping point. |
| RC | Return container freight paid by customer The freight for returning the container is paid by the customer. |

Used Codes

| | |
|-------------|--|
| RF | Return container freight free There is no freight charge for returning the container. |
| RS | Return container freight paid by supplier The freight charge for returning the container is paid by the supplier. |
| TP | Third party pay A third party, someone other than buyer or seller, is identified as responsible for payment of shipping charges. |
| WD | Paid by supplier Transport charges will be paid by the supplier. |
| WE | Paid by buyer Transport charges will be paid by the buyer. |
| X1 | Goods collected from store (GS1 Temporary Code) Customer collects goods from the store GS1 Note: Code marked for deletion. Use value AE instead. |
| 4219 | Transport service priority code Code specifying the priority of a transport service. |
| 1 | Express Express treatment (if by rail, legal express regime for parcels transport). |
| 2 | High speed Transport under legal international rail convention (CIM) concluded between rail organizations and based on fast routing and specified timetables. |
| 3 | Normal speed Transport under legal international rail convention (CIM) concluded between rail organizations. |
| 4 | Post service Transport under conditions specified by UPU (Universal Postal Union) and Rail organizations (parcels transport only). |
| 4233 | Marking instructions code Code specifying instructions for marking. |
| 1 | Do not mark supplier's company name Packaging should not be marked with supplier's company name. |
| 2 | Mark customer's company name Packaging should be marked with customer's company name. |
| 3 | Mark customer's references Packaging should be marked with customer's references. |
| 4 | Mark additionally customer's article description Packaging should also be marked with customer's article description. |

Used Codes

| | |
|----|--|
| 5 | Mark exclusively customer's article description Packaging should be marked with customer's article description only. |
| 6 | Mark packages dimensions Packaging should be marked with package's dimensions. |
| 7 | Mark net weight Packaging should be marked with net weight. |
| 8 | Mark gross weight Packaging should be marked with gross weight. |
| 9 | Mark tare weight Packaging should be marked with tare weight. |
| 10 | Mark batch number Packaging should be marked with batch number. |
| 11 | Mark article number customer Packaging should be marked with customer's article number. |
| 12 | Mark running number of packages Packaging should be marked with the running number of packages. |
| 13 | Mark date of production Packaging should be marked with the date of production. |
| 14 | Mark expiry date Packaging should be marked with the expiry date. |
| 15 | Mark supplier number Packaging should be marked with the supplier number. |
| 16 | Buyer's instructions Markings as specified by the buyer. |
| 17 | Supplier's instructions Markings as specified by the seller. GS1 Description: Markings as specified by the supplier. |
| 18 | Carrier's instructions Markings as specified by carrier. |
| 19 | Legal requirements Markings as specified by law. |
| 20 | Industry instructions Markings as specified by industry. |
| 30 | Mark serial shipping container code Requests the marking of the serial shipping container code to the transport container or packaging. |

Used Codes

| | |
|----|---|
| 32 | <p>Mark date of packaging</p> <p>Packaging must be marked with the packaging date. GS1 Note: Replaces GS1 Temporary Code 41E.</p> |
| 33 | <p>Mark reference to source entity</p> <p>Packaging must be marked with the reference to source entity. The reference to source identifies that the trade item was derived from.</p> |
| 34 | <p>Marked GS1 Global Individual Asset Identifier</p> <p>Indication that the GS1 Global Individual Asset Identifier has been marked on the package. GS1 Note: Replaces GS1 Temporary Code 42G.</p> |
| 35 | <p>Marked with a product serial number</p> <p>Indication that the product serial number has been marked on a package.</p> |
| 38 | <p>Marked price</p> <p>Indication that the price has been marked on a package. GS1 Note: Replaces GS1 Temporary Code 31E.</p> |
| 39 | <p>Marked with Serial Shipping Container Code (SSCC)</p> <p>Indication that the Serial Shipping Container Code has been marked on a package. GS1 Note: Replaces GS1 Temporary Code 33E.</p> |
| 40 | <p>Marked with first freezing date</p> <p>Indication that the first freezing date has been marked on the package. GS1 Note: Replaces GS1 Temporary Code 35E.</p> |
| 41 | <p>Marked with batch number</p> <p>Indication that the batch number has been marked on a package. GS1 Note: Replaces GS1 Temporary Code 36E.</p> |
| 42 | <p>Marked with production date</p> <p>Indication that the production date has been marked on a package. GS1 Note: Replaces GS1 Temporary Code 37E.</p> |
| 43 | <p>Marked with expiry date</p> <p>Indication that the expiry date has been marked on a package. GS1 Note: Replaces GS1 Temporary Code 38E.</p> |
| 44 | <p>Marked with best before date</p> <p>Indication that the best before date has been marked on a package. GS1 Note: Replaces GS1 Temporary Code 39E.</p> |
| 45 | <p>Marked net weight</p> <p>Indication that the net weight has been marked on a package. GS1 Note: Replaces GS1 Temporary Code 40E.</p> |
| 46 | <p>Marked with packaging date</p> <p>Indication that the packaging date has been marked on a package. GS1 Note: Replaces GS1 Temporary Code 41E.</p> |

Used Codes

| | |
|-----|---|
| 47 | <p>Marked with GS1 Global Returnable Asset Identifier (GRAI) Indication that the GS1 Global Returnable Asset Identifier (GRAI) has been marked on the package. GS1 Note: Replaces GS1 Temporary Code 41G.</p> |
| 48 | <p>Marked with a greeting message Indication that the package has been marked with a greeting message. GS1 Note: Replaces GS1 Temporary Code X27.</p> |
| 49 | <p>Price per unit of measure marked on product The price per unit of measure is marked on trade item</p> |
| 31E | <p>Mark price (GS1 Temporary Code) Coded instruction that the price be marked on a package. GS1 Note: Code marked for deletion. Use value 38 instead.</p> |
| 32E | <p>Mark GS1 number (GS1 Temporary Code) Coded instruction that the GS1 number be marked on a package.</p> |
| 33E | <p>Marked with serial shipping container code (GS1 Temporary Code) Indication that the serial shipping container code has been marked on a package. GS1 Note: Code marked for deletion. Use value 39 instead.</p> |
| 34E | <p>Marked with GS1 number (GS1 Temporary Code) Indication that the GS1 number has been marked on a package.</p> |
| 35E | <p>Marked with first freezing date (GS1 Temporary Code) Indication that the first freezing date has been marked on the package. GS1 Note: Code marked for deletion. Use value 40 instead.</p> |
| 36E | <p>Marked with batch number (GS1 Temporary Code) Indication that the batch number has been marked on a package. GS1 Note: Code marked for deletion. Use value 41 instead.</p> |
| 37E | <p>Marked with production/manufacturing date (GS1 Temporary Code) Indication that the production/manufacturing date has been marked on a package. GS1 Note: Code marked for deletion. Use value 42 instead.</p> |
| 38E | <p>Marked with expiry date (GS1 Temporary Code) Indication that the expiry date has been marked on a package. GS1 Note: Code marked for deletion. Use value 43 instead.</p> |
| 39E | <p>Marked with best before date (GS1 Temporary Code) Indication that the best before date has been marked on a package. GS1 Note: Code marked for deletion. Use value 44 instead.</p> |
| 40E | <p>Marked with unit net weight (GS1 Temporary Code) Indication that the net unit weight has been marked on a package. GS1 Note: Code marked for deletion. Use value 45 instead.</p> |

Used Codes

| | |
|-------------|--|
| 41E | Marked with packaging date (GS1 Temporary Code) Indication that the packaging date has been marked on a package. GS1 Note: Code marked for deletion. Use value 46 instead. |
| 41G | Marked with GS1 Global Returnable Asset Identifier (GS1 Temporary Code) Indication that the GS1 Global Returnable Asset Identifier has been marked on the package. GS1 Note: Code marked for deletion. Use value 47 instead. |
| IEN | Package Identity Number (GS1 Temporary Code) Number uniquely identifying a package. |
| X26 | Not marked with an GS1 code (GS1 Temporary Code) Indication that the package is not marked with an GS1 code. |
| X27 | Marked with a greeting message (GS1 Temporary Code) Package should be marked with greeting message GS1 Note: Code marked for deletion. Use value 48 instead. |
| X28 | GINC (GS1 Temporary Code) Global Identification Number for Consignment |
| X29 | GSIN (GS1 Temporary Code) Global Shipment Identification Number |
| X3 | Marked with use by date (GS1 Temporary Code) Indication that the use by date has been marked on a package. |
| 4347 | Product identifier code qualifier Code qualifying the product identifier. |
| 1 | Additional identification Information which specifies and qualifies product identifications. |
| 5 | Product identification The item number is for product identification. |
| 4441 | Free text value code Code specifying free form text. |
| 78E | Proof Of Delivery (GS1 Permanent Code) The mentioned URL refers to a Proof of Delivery document. This Code value can be used if DE 4451 of the FTX segment is ZXL. |
| 4451 | Text subject code qualifier Code qualifying the subject of the text. |
| 1E | Additional product information address (GS1 Temporary Code) Address at which additional information on the product can be found. GS1 Note: Code marked for deletion. Use value BAI instead. |

Used Codes

| | |
|-----|---|
| 2E | VAT exemption (GS1 Temporary Code) VAT exemption reason in clear text. GS1 Note: Code marked for deletion. Use value BAQ instead. |
| 3E | Tracking URL (GS1 Temporary Code) The internet link (URL) to track the delivery of a specific package or consignment. |
| AAA | Goods description [7002] Plain language description of the nature of the goods sufficient to identify them at the level required for banking, Customs, statistical or transport purposes, avoiding unnecessary detail (Generic term). |
| AAB | Terms of payments [4276] Conditions of payment between the parties to a transaction (generic term). |
| AAC | Dangerous goods additional information Additional information concerning dangerous goods. |
| AAD | Dangerous goods, technical name Proper shipping name, supplemented as necessary with the correct technical name, by which a dangerous substance or article may be correctly identified or which is sufficiently informative to permit identification by reference to generally available literature. |
| AAG | Party instructions Indicates that the segment contains instructions to be passed on to the identified party. |
| AAI | General information The text contains general information. |
| AAK | Price conditions Information on the price conditions that are expected or given. |
| AAM | Equipment re-usage restrictions Technical or commercial reasons why a piece of equipment may not be re-used after the current transport terminates. |
| AAN | Handling restriction Restrictions in handling depending on the technical characteristics of the piece of equipment or on the nature of the goods. |
| AAO | Error description (free text) Error described by a free text. |
| AAR | Terms of delivery (4053) Free text of the non Incoterms terms of delivery. For Incoterms, use: 4053. |
| AAW | Letter of credit information Information pertaining to the letter of credit. |

Used Codes

| | |
|-----|---|
| AAZ | Additional export information The text contains additional export information. |
| ABN | Accounting information Self explanatory. GS1 Description: Free text information regarding account. |
| ABO | Discrepancy information Free text or coded information to indicate a specific discrepancy. |
| ABU | Deferred payment termed additional Additional terms concerning deferred payment. |
| ACB | Additional information The text contains additional information. |
| ACD | Reason Reason for a request or response. |
| ACE | Dispute A notice, usually from buyer to seller, that something was found wrong with goods delivered or the services rendered, or with the related invoice. |
| ACF | Additional attribute information The text refers to information about an additional attribute not otherwise specified. |
| ACL | Quality Statement Code A statement on the quality of an object. |
| ADK | Promotion information The text contains information about a promotion. |
| ADL | Meter condition Description of the condition of a meter. |
| ADM | Meter reading information Information related to a particular reading of a meter. |
| ADS | Booked item information (SWIFT Code) Information pertaining to a booked item. GS1 Description: Information related to an item booked onto a financial account. |
| AEI | Instructions to the applicant Instructions given to the applicant. |
| AFF | Batch code structure A description of the structure of a batch code. |
| AFG | Product application A general description of the application of a product. |

Used Codes

| | |
|-----|---|
| AGW | Location Description of a location. |
| AGZ | Marketing activities Information concerning marketing activities. |
| AIP | Question A free text question. |
| AIQ | Party information Free text information related to a party. |
| AIX | Warranty terms Text describing the terms of warranty which apply to a product or service. |
| ALL | All documents The note implies to all documents. |
| BAI | Additional product information address Address at which additional information on the product can be found. GS1 Note: Replaces GS1 Temporary Code 1E. |
| BAJ | Information to be printed on despatch advice Specification of free text information which is to be printed on a despatch advice. GS1 Note: Replaces GS1 Temporary Code DSI. |
| BAK | Missing goods remarks Remarks concerning missing goods. GS1 Note: Replaces GS1 Temporary Code MIS. |
| BAL | Non-acceptance information Information related to the non-acceptance of an order, goods or a consignment. GS1 Note: Replaces GS1 Temporary Code NAI. |
| BAM | Returns information Information related to the return of items. GS1 Note: Replaces GS1 Temporary Code RTI. |
| BAN | Sub-line item Note contains information related to sub-line item data. GS1 Note: Replaces GS1 Temporary Code SID. |
| BAO | Test information Information of a test. GS1 Note: Replaces GS1 Temporary Code TIN. |
| BAP | External link The external link to a digital document (e.g.: URL) GS1 Note: Replaces GS1 Temporary Code ZXL. |

Used Codes

| | |
|-----|---|
| BAQ | VAT exemption reason The reason for Value Added Tax exemption. GS1 Note: Replaces GS1 Temporary Code 2E. |
| BLR | Transport document remarks Remarks concerning the complete consignment to be printed on the bill of lading. |
| BLV | B2C marketing information, short description Consumer marketing information, short description. |
| BLW | B2B marketing information, long description Trading partner marketing information, long description. |
| BLX | B2C marketing information, long description Consumer marketing information, long description. |
| BLY | Product ingredients Information on the ingredient make up of the product. Information on the constituent ingredient make up of the product specified as one string. Example: FTX+ING+1+ +Tomato puree (54%), water, onions (9%), sunflower seed oil' FTX+ING+1+ +(cold pressed, untempered, unrefined) (10%), corn syrup (2%), soy protein (12%):++EN' |
| CHG | Change information Note contains change information. |
| CIP | Customs clearance instruction import Any coded or clear instruction agreed by customer and carrier regarding the import declaration of the goods. |
| CLR | Loading remarks Instructions concerning the loading of the container. |
| CUS | Customs declaration information Note contains customs declaration information. |
| DAR | Damage remarks Remarks concerning damage on the cargo. |
| DEL | Delivery information Information about delivery. |
| DIN | Delivery instructions Instructions regarding the delivery of the cargo. |
| DSI | Information to be printed on despatch advice (GS1 Temporary Code) Specification of free text information which is to be printed on a despatch advice. GS1 Note: Code marked for deletion. Use value BAJ instead. |

Used Codes

| | |
|-----|---|
| DUT | Duty declaration The text contains a statement constituting a duty declaration. |
| GEN | Entire transaction set Note is general in nature, applies to entire transaction segment. |
| HAN | Handling instructions [4078] Instructions on how specified goods, packages or containers should be handled. |
| HAZ | Hazard information Information pertaining to a hazard. |
| IIN | Insurance instructions Instructions regarding the cargo insurance. |
| INS | Insurance information Specific note contains insurance information. |
| INV | Invoice instruction Note contains invoice instructions. |
| ITS | Testing instructions Instructions regarding the testing that is required to be carried out on the items in the transaction. |
| LIN | Line item Note contains line item information. |
| LOI | Loading instruction Instructions where specified packages or containers are to be loaded on a means of transport. |
| MIS | Missing goods remarks (GS1 Temporary Code) Remarks concerning missing goods. GS1 Note: Code marked for deletion. Use value BAK instead. |
| MKS | Additional marks/numbers information Additional information regarding the marks and numbers. |
| NAI | Non-acceptance information (GS1 Temporary Code) Information related to the non-acceptance of an order, goods or a consignment. GS1 Note: Code marked for deletion. Use value BAL instead. |
| ORI | Order instruction Free text contains order instructions. |
| OSI | Other service information General information created by the sender of general or specific value. |
| PAC | Packing/marking information Information regarding the packaging and/or marking of goods. |

Used Codes

| | |
|-----|--|
| PAY | Payables information Note contains payables information. |
| PKG | Packaging information Note contains packaging information. GS1 Description: Note contains packaging instructions. |
| PMD | Payment detail/remittance information The free text contains payment details. |
| PMT | Payment information Note contains payments information. |
| PRD | Product information The text contains product information. |
| PRF | Price calculation formula Additional information regarding the price formula used for calculating the item price. |
| PRI | Priority information Note contains priority information. |
| PUR | Purchasing information Note contains purchasing information. |
| QQD | Quality demands/requirements Specification of the quality/performance expectations or standards to which the items must conform. |
| QUT | Quotation instruction/information Note contains quotation information. |
| REG | Regulatory information The free text contains information for regulatory authority. |
| RET | Return to origin information Free text information on an IATA Air Waybill to indicate consignment returned because of non delivery. |
| REV | Receivables The text contains receivables information. |
| RQR | Requested routes/routing instructions [3074] Names of places via which the consignor requests a consignment to be routed. |
| RQT | Tariffs and route requested [4120] Stipulation of the tariffs to be applied showing, where applicable, special-agreement numbers or references; indication of routes by frontier points or by frontier stations and, when necessary, by transit stations between. |

Used Codes

| | |
|-----|---|
| RTI | Returns information (GS1 Temporary Code) Information related to the return of goods. GS1 Note: Code marked for deletion. Use value BAM instead. |
| SAF | Safety information The text contains safety information. |
| SIC | Sender's instruction to carrier [4284] Instructions given and declarations made by the sender to the carrier concerning Customs, insurance, and other formalities. |
| SID | Sub line item (GS1 Temporary Code) Note contains information related to sub line item data. GS1 Note: Code marked for deletion. Use value BAN instead. |
| SIN | Special instructions Special instructions like licence no, high value, handle with care, glass. |
| SPH | Special handling Note contains special handling information. |
| SSR | Special service request Request for a special service concerning the transport of the goods. |
| SUR | Supplier remarks Remarks from or for a supplier of goods or services. |
| TIN | Test information (GS1 Temporary Code) Information related to a test which will be, or has been, carried out. GS1 Note: Code marked for deletion. Use value BAO instead. |
| TRA | Transportation information General information regarding the transport of the cargo. |
| TXD | Tax declaration The text contains a statement constituting a tax declaration. |
| WHI | Warehouse instruction/information Note contains warehouse information. |
| XYZ | No partial delivery (GS1 Temporary Code) The goods that are not delivered have to be re-ordered by the buyer. Supplier only delivers the goods they have in stock at that moment. One order leads to one delivery. |
| ZXL | External link (GS1 Temporary code) The external link to a digital document (e.g.: URL) GS1 Note 1: This Code value can be used if no EFI segment is available. If the type of the referenced document (e.g. proof-of-delivery.pdf) can be identified by a code value of DE 1001, this code value should be used to fill DE 4441. (e.g. 78E), DE 3055 = 9. GS1 Note 2: Code marked for deletion. Use value BAP instead. |

Used Codes

| | |
|-------------|--|
| ZYZ | Partial delivery allowed (GS1 Temporary Code) The supplier keeps delivering until the entire order is fulfilled. One order can lead to many deliveries. The buyer doesn't need to place a new order; they just waits for the other goods to be delivered. |
| ZZZ | Mutually defined Note contains information mutually defined by trading partners. |
| 4453 | Free text function code Code specifying the function of free text. |
| 1 | Text for subsequent use The occurrence of this text does not affect message processing. |
| 2 | Text replacing missing code Text description of a coded data item for which there is no currently available code. |
| 3 | Text for immediate use Text must be read before actioning message. |
| 4517 | Seal condition code Code specifying the condition of a seal. |
| 1 | In right condition The seal is in right condition. |
| 2 | Damaged The seal is damaged. |
| 5025 | Monetary amount type code qualifier Code qualifying the type of monetary amount. |
| 1 | VAT, 1st value First VAT value if, for the same rate of VAT, there are 1 to 3 different ways to set this value. |
| 5 | Adjusted amount The amount specified is the adjusted amount. |
| 7 | Agreed charge Charges which parties agreed upon. |
| 8 | Allowance or charge amount [5422] Total amount of allowance or charge. |
| 9 | Amount due/amount payable Amount to be paid. |
| 11 | Amount paid Amount that has been paid. |

Used Codes

| | |
|----|---|
| 12 | Amount remitted Amount which was remitted (see remittance advice). |
| 13 | Amount subject to total monetary discount The amount is subject to a total monetary discount. |
| 21 | Cash discount Cash discount given by the seller to the buyer. GS1 Description: Cash discount given by the seller to the buyer where payment is made in advance of receipt of goods. |
| 22 | Cash on delivery amount Amount to be collected by carrier upon delivery of goods. This amount represents approximately the value of the goods. |
| 23 | Charge amount The amount of money charged for the provision of a service or product. |
| 25 | Charge/allowance basis The amount specified is the basis for calculation of charges/allowance. |
| 36 | Converted amount The amount is converted from another currency. |
| 38 | Invoice item amount (5068) Total sum charged in respect of a single Invoice item in accordance with the terms of delivery. |
| 39 | Invoice total amount [5444] Total sum charged in respect of one or more Invoices in accordance with the terms of delivery. |
| 40 | Customs value (5032) Value declared for Customs purposes on those goods in a consignment which are subject to the same Customs procedure, and have the same tariff/statistical heading, country information and duty regime. |
| 43 | Declared total Customs value [5070] Total value declared for Customs purposes of all goods in a consignment, whether or not they are subject to the same Customs procedure, or have the same tariff/statistical heading, country information, and duty regime. |
| 44 | Declared value for carriage (5036) Value, declared by the shipper or his agent solely for the purpose of varying the carrier's level of liability from that provided in the contract of carriage, in case of loss or damage to goods or delayed delivery. |
| 48 | Deposit total The whole amount of money that one entrusts for safekeeping. |

Used Codes

| | |
|----|---|
| 50 | Disbursements Amount of disbursements to be collected by the carrier according to the order given by the shipper. |
| 51 | Disbursements fee Fee charged for the collection of disbursements. |
| 52 | Discount amount The amount specified is the discount amount. |
| 53 | Discount amount due The amount of discount that is due. GS1 Description: The amount due for a discount. |
| 55 | Duty amount The amount of duty. GS1 Description: The amount due for a duty. |
| 56 | Duty/tax/fee basis amount The amount specified is the basis for duty/tax or fee. |
| 57 | Equivalent amount This amount is equivalent to the amount to be transferred, but in another currency. |
| 60 | Final (posted) amount The amount posted to an account, finally, after charges/allowances. |
| 64 | Freight charge Amount to be paid for moving goods, by whatever means, from one place to another, inclusive discounts, allowances, rebates, adjustment factors and additional cost relating to freight costs (UN/ECE Recommendation no 23). |
| 74 | Amount to be paid in advance Amount which is to be paid before goods are delivered or the service is rendered. |
| 75 | Registered capital Registered amount of equity of a company. |
| 77 | Invoice amount [5068] Total sum charged in respect of a single Invoice in accordance with the terms of delivery. |
| 79 | Total line items amount The sum of all the line item amounts. |
| 81 | Loading and handling cost Cost incurred by loading and handling. |

Used Codes

| | |
|-----|---|
| 83 | Lumpsum An agreed sum of money, which is paid in full at one time. This term is often used in connection with charter parties. |
| 86 | Message total monetary amount The total of all monetary amounts contained within the message. |
| 97 | Offer amount [5210] Total amount of an offer. |
| 98 | Original amount Original amount, without charges, allowances or adjustment. |
| 103 | Other deductible charges Other charges deducted from the total invoice value. |
| 106 | Packing cost Cost for packing concerning labour and/or material. |
| 109 | Payment discount amount Amount subject to payment discount. |
| 113 | Prepaid amount (5302) Amount which has been prepaid in advance. |
| 119 | Received amount The amount is what the bank received, and the one before charges/allowances. |
| 124 | Tax amount Tax imposed by government or other official authority related to the weight/volume charge or valuation charge. |
| 125 | Taxable amount Amount on which a tax has to be applied. GS1 Description: The monetary amount liable to tax. |
| 126 | To collect Amount that has to be collected. |
| 128 | Total amount The amount specified is the total amount. |
| 129 | Total amount subject to payment discount Part of the invoice amount which is subject to payment discount. |
| 130 | Total charge due Total amount of charges payable to the carrier. |
| 131 | Total charges/allowances The amount specified is the total of all charges/allowances. |
| 134 | Total declared The total value of declared amounts. |

Used Codes

| | |
|-----|--|
| 138 | Total monetary discount amount Total of monetary discount amounts. |
| 139 | Total payment amount A complete charge for goods or services rendered. |
| 140 | Total service charge The complete payment owed to one who has performed work for another. |
| 142 | Trade discount Discount given to any purchaser at a particular commercial level e.g. at wholesale or retail level. |
| 143 | Transfer amount The amount which has been transferred from buyer to the sellers bank. |
| 144 | Transport charges (Customs) (5292) Cost incurred by shipper in moving goods, by whatever means, from one place to another under the terms of the contract of carriage, see UN/ECE Recommendation No 23. Synonym: freight charges (Customs). |
| 146 | Unit price (5110) Reporting monetary amount is a "per unit" amount. |
| 150 | Value added tax [5490] Amount in national currency resulting from the application, at the appropriate rate, of value added tax (or similar tax) to the invoice amount subject to such tax. |
| 157 | Insurance value (5010) Value for which the goods are insured. |
| 159 | Licence (value deducted) Amount in the currency of the licence to be written off from the total licence value. |
| 161 | Duty, tax or fee amount Amount of duty, tax or fee. |
| 165 | Adjustment amount Amount being the balance of the amount to be adjusted and the adjusted amount. |
| 176 | Message total duty/tax/fee amount Total of all duty/tax/fee amounts. |
| 177 | Message total amount prepaid Total of all prepaid amounts within the message. |
| 178 | Exact amount Specific amount. GS1 Description: A specific monetary amount. |

Used Codes

| | |
|-----|--|
| 200 | Minimum amount due The minimum amount that must be paid on an amount now due for payment. |
| 201 | Penalty amount The penalty charge incurred if or because conditions are not met. GS1 Description: A value indicating a penalty amount. |
| 202 | Interest amount The amount of interest charged or paid on a debit or credit balance. |
| 203 | Line item amount Goods item total minus allowances plus charges for line item. See also Code 66. |
| 204 | Allowance amount The amount of an allowance. |
| 209 | Agent commission amount Amount which has to be paid to an agent. |
| 210 | Credit note amount Amount of a credit note. |
| 211 | Debit note amount Amount of a debit note. |
| 212 | Documentary credit amount Amount of the documentary credit. |
| 227 | Deposit Part of the amount of retention, not covered by guarantee of retention, and thus deducted from the amount paid to the contractor until release of retention. GS1 Description: The money paid as a guarantee in case one damages or loses something one is renting. This money is returned if no damage is caused. |
| 236 | Amount subject to price adjustment Amount which is used as the basis for price adjustment calculation. |
| 257 | Amount subject to dispute The amount that is being disputed. |
| 259 | Total charges Self-explanatory. GS1 Description: Total charges amount. |
| 260 | Total allowances Self-explanatory. |
| 262 | Instalment amount Amount paid or due for a single instalment of an instalment payment scheme. |

Used Codes

| | |
|-----|---|
| 263 | Outstanding amount Amount still remaining outstanding for payment. |
| 265 | Commission amount Amount of any commission. |
| 271 | Nominal salary The salary amount without special allowances or other cash benefits. |
| 272 | Taxable salary The salary amount which is taxable. |
| 276 | Annual salary Self-explanatory. |
| 277 | Total contributions amount Sum of individual contributions. |
| 278 | Voluntary contribution amount The amount is for a non-compulsory contribution. |
| 286 | Administration charge Charge made for an administration activity. |
| 289 | Subtotal amount Total amount of money that is part of a complete amount. |
| 296 | Total authorised deduction Total amount of authorised deductions. |
| 304 | Other charges Miscellaneous charges. |
| 315 | Opening balance (SWIFT Code) The amount of the opening balance. |
| 343 | Closing balance (SWIFT Code) The closing balance is the last balance for a reporting period. |
| 344 | Value date balance (SWIFT Code) This is the balance on value date. |
| 345 | Cost amount for providing the balance (SWIFT Code) Cost information for providing the statement. |
| 346 | Total credits (SWIFT Code) The total of all credit items reported. |
| 347 | Total debits (SWIFT Code) The total of all debit items reported. |
| 348 | Booked amount on the account (SWIFT Code) Booked amount on the account. |

Used Codes

| | |
|-----|---|
| 349 | Pending amount to be booked on account (SWIFT Code) The amount which is pending booking on a financial account. |
| 350 | Damage repair cost Cost incurred by repair of the damage. |
| 357 | Interim opening balance (SWIFT Code) The opening balance of a consecutive statement. |
| 358 | Interim closing balance (SWIFT Code) The closing balance of a consecutive statement. |
| 359 | Balance to be confirmed for audit reasons Balance to be confirmed for audit reasons. |
| 360 | Accrued debit interest (SWIFT Code) Accrued debit interest. |
| 361 | Accrued credit interest (SWIFT Code) Accrued credit interest. |
| 369 | Goods and services tax Amount charged as tax on goods and services. |
| 388 | Total amount including Value Added Tax (VAT) The total monetary amount which includes the Value Added Tax (VAT). |
| 396 | Total price subsidy value The total value of all price subsidies. |
| 397 | Advertising amount Amount related to advertising. |
| 400 | Rebate amount The amount of a rebate. |
| 401 | Debt financing charge A charge amount related to the financing of a debt. |
| 402 | Total retail value The total retail value of all products. |
| 462 | Annual turnover The annual turnover. |
| 496 | Total returnable packages deposit amount Total deposit amount for returnable packages. |
| 497 | Goods and services total amount excluding returnable goods Total amount of goods and services excluding deposits for returnable goods. |
| 503 | Contract total amount Total value of a contract. |

Used Codes

| | |
|-----|--|
| 505 | Rental amount The amount to be paid for the right to use a place, product or service. |
| 506 | Gross-progress payment amount Gross monetary amount paid or to be paid at intervals. |
| 507 | Net-progress payment amount Net monetary amount paid or to be paid at intervals. |
| 508 | Value of returned product Value of product returned by the customer. |
| 509 | Unit allowance amount The monetary amount of an allowance for each unit. |
| 526 | Volume discount A discount for reaching or exceeding an agreed volume. |
| 527 | Product range discount Discount for the purchase of a whole range of products. |
| 528 | Calculation basis excluding all taxes The amount used as the basis for calculation excludes all taxes. |
| 529 | Calculation basis which includes all taxes except VAT The amount, used as the basis for calculation, which includes all taxes except Value Added Tax (VAT). |
| 542 | Unloading and handling cost Cost incurred by unloading and handling. |
| 544 | Taxable amount - excluding payment discount amount Indication of the total taxable amount before deducting payment discount amount. |
| 545 | Must buy product in multi-buy promotions value The value of a product which must be bought in order to qualify for the multi-buy promotion. GS1 Note: Replaces GS1 Temporary Code 29E. |
| 546 | Additional voluntary contribution amount Additional voluntary contribution amount paid by the employee. GS1 Note: Replaces GS1 Temporary Code 33E. |
| 547 | Interest amount over employee's obligatory contribution Interest amount calculated over the employee's obligatory contribution. GS1 Note: Replaces GS1 Temporary Code 34E. EDIFACT code added, replacing GS1 code 34E |
| 548 | Prepaid amount related to the obligatory contribution Prepaid amount related to the employee's obligatory contribution. GS1 Note: Replaces GS1 Temporary Code 39E. |

Used Codes

| | |
|-----|---|
| 549 | Amount to be compensated between social security entities Amount which needs to be compensated between social security entities. GS1 Note: Replaces GS1 Temporary Code 40E. |
| 550 | Bank check amount Amount to be paid by bank check. |
| 10E | Value of coins (GS1 Temporary Code) The amount of change which is given by cigarette vending machines. |
| 28E | Financing allowance/charge (GS1 Temporary Code) A charge or allowance related to the financing of a debt. |
| 29E | Multi-buy promotion value (GS1 Temporary Code) A value of a product included in a multi-buy promotion which must be purchased in order to qualify for the multi-buy promotion. GS1 Note: Code marked for deletion. Use value 545 instead. |
| 32E | Exceptional situation amount (GS1 Temporary Code) Amount of the exceptional situation that affects the normal contribution of the employee in a given period. |
| 33E | Additional voluntary contribution amount (GS1 Temporary Code) Additional voluntary contribution amount paid by the employee. GS1 Note: Code marked for deletion. Use value 546 instead. |
| 34E | Interest amount over employee's obligatory contribution (GS1 Temporary Code) Interest amount calculated over the employee's obligatory contribution (GS1 Temporary Code) GS1 Note: Code marked for deletion. Use value 547 instead. |
| 35E | Total returnable items deposit amount (GS1 Temporary Code) Total deposit amount for returnable items. |
| 39E | Prepaid amount related to the obligatory contribution (GS1 Temporary Code) Prepaid amount related to the employee's obligatory contribution. GS1 Note: Code marked for deletion. Use value 548 instead. |
| 40E | Amount to be compensated between social security entities (GS1 Temporary Code) Amount which needs to be compensated between social security entities. GS1 Note: Code marked for deletion. Use value 549 instead. |
| 41E | Interest over solidarity fund (GS1 Temporary Code) Interest to pay because contribution to solidarity fund was not paid on time. |
| 42E | Interest over employee additional contribution (GS1 Temporary Code) Interest to pay because contribution to employee additional contribution was not paid on time. |
| X41 | Total returnable items rental fee amount (GS1 Temporary Code) Total rental fee amount for returnable items. |

Used Codes

| | |
|-------------|---|
| X42 | Rental fee (GS1 Temporary Code) The amount charged for the rental of an item. |
| XB5 | Information amount (SWIFT Code) A monetary amount provided for information purposes. |
| XB6 | Beneficiary's account number unknown (SWIFT Code) The account number of the beneficiary is unknown. |
| 6069 | Control total type code qualifier Code qualifying the type of control of hash total. |
| 1 | Total value of the quantity segments at line level in a message Self-explanatory. GS1 Description: The total value of all QTY segments at line level within a message. |
| 2 | Number of line items in message Self-explanatory. GS1 Description: The total number of LIN segments in a message. |
| 7 | Total gross weight Code to indicate total gross weight of a consignment. |
| 10 | Total number of consignments The total number of consignments. |
| 11 | Total number of packages Total number of packages of the entire consignment. |
| 15 | Total consignment, cube The total cube of consignment. |
| 16 | Total number of equipment Total number of equipment mentioned in the message. |
| 26 | Total gross measurement/cube Total gross cubic measurement of the goods, including packing but excluding transport equipment. |
| 27 | Total number of credit items given for control purposes Total number of credit items given for control purposes. |
| 28 | Total number of debit items given for control purposes Total number of debit items given for control purposes. |
| 29 | Total net weight of consignment A code to indicate the total net weight of a consignment. |
| 30 | Total number of empty containers The total number of empty containers mentioned in the message. |

Used Codes

| | |
|-----|---|
| 31 | <p>Number of messages Control count of the number of messages referenced. GS1 Description: Control count of the number of messages or documents referenced.</p> |
| 32 | <p>Total gross weight of the goods within the means of transport Weight (mass) of the goods within the means of transport, including packing and excluding the carrier's equipment.</p> |
| 40 | <p>Total number of sequence details in message The total number of sequence details in the message.</p> |
| 47 | <p>Total wholesaler unsold quantity Total quantity of unsold goods held by the wholesaler.</p> |
| 48 | <p>Total quantity held by delivery vehicles Total quantity held by the delivery vehicles.</p> |
| 49 | <p>Total quantity held by retail outlets Total quantity held by the retail outlets.</p> |
| 50 | <p>Total rejected return quantity The total quantity for return which have been rejected.</p> |
| 51 | <p>Number of goods items in the message The total number of goods items in a message. GS1 Description: The total number of GID segments in a message.</p> |
| 56 | <p>Total number of transport units Number of separate units of cargo handled during transportation of a consignment. EDIFACT</p> |
| 57 | <p>Total loading metres The total number of loading metres.</p> |
| 62 | <p>Number of premises A code to indicate the total number of premises detailed in the message. GS1 Note: Replaces GS1 Temporary Code 31E.</p> |
| 63 | <p>Number of meters The total number of meters. GS1 Note: Replaces GS1 Temporary Code 36E.</p> |
| 64 | <p>Total number of pallet places Total number of places needed to load the pallets of the entire consignment.</p> |
| 31E | <p>Number of premises (GS1 Temporary Code) A code to indicate the total number of premises detailed in the message. GS1 Note: Code marked for deletion. Use value 62 instead.</p> |

Used Codes

| | |
|-------------|---|
| 36E | Number of meters (GS1 Temporary Code) The total number of meters within premises. GS1 Note: Code marked for deletion. Use value 63 instead. |
| 6145 | Dimension type code qualifier Code qualifying the type of the dimension. |
| 1 | Gross dimensions The dimension expressed in a gross value. |
| 2 | Package dimensions (incl. goods) The dimension of the goods including the packaging. |
| 3 | Pallet dimensions (excl.goods) The dimension of a pallet excluding the goods. |
| 4 | Pallet dimensions (incl.goods) The dimension of a pallet including the goods. |
| 5 | Off-standard dimension front The dimension in the length that the cargo exceeds the standard length at the front of an equipment. |
| 6 | Off-standard dimension back The dimension in the length that the cargo exceeds the standard length at the back of an equipment. |
| 7 | Off-standard dimension right The dimension in the width that the cargo exceeds the standard width at the right side of an equipment. |
| 8 | Off-standard dimension left The dimension in the width that the cargo exceeds the standard width at the left side of an equipment. |
| 9 | Off-standard dimension general The dimensions that the cargo exceeds the standard dimensions. |
| 10 | External equipment dimension The external dimensions of transport equipment. |
| 11 | Internal equipment dimensions The internal dimensions of equipment. |
| 10E | Unit gross dimensions (GS1 Temporary Code) The gross dimensions of a transport unit. |
| 6155 | Non-discrete measurement name code Code specifying the name of a non-discrete measurement. |
| 42 | Uncontrolled temperature Uncontrolled temperature conditions. |

Used Codes

| | |
|-------------|---|
| 43 | Chilled Kept at a low temperature without freezing. GS1 Description: Somewhere between four degrees Celsius and twelve degrees Celsius. |
| 44 | Frozen Kept at a temperature below the freezing point. GS1 Description: Less than zero degrees Celsius. |
| 45 | Temperature controlled Required temperature value. |
| 6167 | Range type code qualifier Code qualifying a type of range. |
| 5 | Temperature range The range of a temperature. |
| 6245 | Temperature type code qualifier Code qualifying the type of a temperature. |
| 1 | Storage temperature The temperature at which the cargo is to be kept while it is in storage. |
| 2 | Transport temperature The temperature at which cargo is to be kept while it is under transport. |
| 6311 | Measurement purpose code qualifier Code qualifying the purpose of the measurement. |
| AAA | Line item measurement Line item measurement specified by the Food and Drug Administration. |
| AAB | Transport conditions for delivery to distribution centre Specified measurements refer to transport conditions for delivery to a distribution centre. |
| AAC | Retail container size Size of a retail container in terms of volume. |
| AAE | Measurement [6314] Value of the measured unit. |
| AAF | Customs line item measurement The measurement of a consignment or part for customs purpose. |
| AAG | Percentage of alcohol (by volume) The measurement of the alcohol content. GS1 Description: The measurement of the percentage of alcohol by volume. |

Used Codes

| | |
|-----|--|
| AAH | Dimensions total weight The total weight of an identified dimension. |
| AAI | Item weight Weight at line item level. |
| AAU | Package Commodity/product shipped or sold in discrete individual containers which may be accumulated in a larger package. |
| ABA | Unit of measure used for ordered quantities The unit of measure in which ordered quantities are expressed. |
| ABB | Transport conditions for delivery to market Specified measurements refer to transport conditions for delivery to the market. |
| ABC | Storage conditions to guarantee product freshness until best before date Specified measurements refer to storage conditions to guarantee the product freshness until best before date. |
| ABL | Internal dimension The inner measurement of the referenced item or package. EDIFACT |
| ABO | Comparison price measurement A measurement used for comparison pricing purposes. GS1 Description: A code to identify measurements for system or shelf edge labelling pricing comparison purposes, e.g. price of a 225 gram of caviar is 200 EUR, price per 100 grams is 89 EUR. |
| ABW | Unit of measure used for invoiced quantities Unit of measure of invoiced quantity. |
| ABX | Usable or consumable content Measurement of usable or consumable contents. |
| AMT | Amount (GS1 Temporary Code) A code to provide monetary range information applicable to allowances or charges, e.g. 5% discount for orders between 5000 and 10000 EUR. |
| CHW | Chargeable weight The weight on which charges are based. |
| CT | Counts The measurement is counts. |
| DT | Dimensional tolerance Possible range of values for a specified measurement dimension of a product, material or package. |
| DV | Discrete measurement value The measurement specified is separate and distinct from other measurements. |

Used Codes

| | |
|-----|---|
| EGW | Estimated gross weight (GS1 Temporary Code) Estimated weight (mass) of goods, including packing. |
| FCT | Fat content (GS1 Temporary Code) A code to indicate the fat content of a product, e.g. cheese. |
| LL | Lift limitation A measurement indicating lift capacity limitations. |
| LMT | Loading metre The length in a vehicle, whereby the complete width and height over that length is needed for the goods. |
| MV | Measured value (GS1 Temporary Code) Specification of a value which was measured for test purposes. |
| PD | Physical dimensions (product ordered) Specified measurement dimensions refer to physical dimensions of a product, material or package. GS1 Description: The restriction 'product ordered' can be ignored. |
| RL | Receiving facility limitations Specified measurement dimensions are provided as a result of limitations or restrictions related to the physical dimensions of a product, material or package at the reception point. |
| SH | Shipping tolerance Tolerances related to shipping. |
| SO | Storage limitation A measurement indicating limitation in relation to storage. |
| SV | Specification value A measurable item characteristic specified by the buyer, seller or third party. |
| TL | Transportation equipment limitations A measurement indicating limitations in relation to transportation equipment. |
| TR | Test result Indicates that the data to follow is the test result measurements. |
| UTV | Unit total volume of pure alcohol (GS1 Temporary Code) The measurement of the unit total volume of pure alcohol. |
| VO | Observed value (GS1 Temporary Code) The reported test result which includes measurement variability. |
| VT | True value (GS1 Temporary Code) The reported test result with the measurement variability removed. |
| X4E | Retail container dimension (GS1 Temporary Code) Single physical dimension of a retail container. |

Used Codes

| | |
|-------------|--|
| X5E | Colour (GS1 Temporary Code) The colour of an object. |
| X6E | Size (GS1 Temporary Code) Dimensions or magnitude of an object. |
| Y2E | Maximum dimensions using a functionality (GS1 Temporary Code) Maximum dimension of an article using a functionality (e.g. extendable sofa bed) |
| Y3E | Minimum dimensions using a functionality (GS1 Temporary Code) Minimum dimension of an article using a functionality (e.g. folding chair) |
| Y4E | Mattress dimensions (GS1 Temporary Code) Dimension of a mattress, i.e. not the total dimension of the bed frame. |
| Y5E | Seat dimensions (GS1 Temporary Code) Seat dimension of a chair etc., not total dimension. |
| 6313 | Measured attribute code Code specifying the attribute measured. |
| A | Consolidated weight The measured consolidated weight. |
| AAA | Unit net weight GS1 Description: Weight (mass) of the goods without any packing. |
| AAB | Unit gross weight [6292] Weight (mass) of goods including packing but excluding the carrier's equipment. |
| AAC | Total net weight Total weight of goods excluding packaging. GS1 Description: "Total" in this code means the sum of the net weight of all items. |
| AAD | Total gross weight [6292] Weight (mass) of goods including packing but excluding the carrier's equipment. GS1 Description: "Total" in this code means the sum of the gross weight of all items. |
| AAJ | Number of units per pallet The number of units contained on a pallet. GS1 Description: An indication of the number of units on a loaded pallet. The value associated with this code is calculated by multiplying the number of units per layer by the number of layers on a pallet. |
| AAK | Fat content An indication of the fat content of a product. |

Used Codes

| | |
|-----|--|
| AAL | <p>Net weight</p> <p>GS1 Description: Weight (mass) of goods excluding packaging.</p> <p>GS1 usage note: The field of implementation of this code is the area of transport and related activities such as the preparation of goods into consignments for shipping.</p> |
| AAO | <p>Humidity</p> <p>Self-explanatory.</p> |
| AAP | <p>Voltage</p> <p>Self-explanatory.</p> |
| AAQ | <p>Power consumption</p> <p>Value of energy consumption.</p> |
| AAR | <p>Heat dissipation</p> <p>Self-explanatory.</p> |
| AAU | <p>Operative temperature</p> <p>Temperature identified system or process works according to specifications.</p> |
| AAW | <p>Gross volume</p> <p>The observed volume unadjusted for factors such as temperature or gravity.</p> <p>GS1 Description: The usage of this code relates to the contents, e.g. gases or liquids that expand/contract under given circumstances.</p> |
| AAX | <p>Net volume</p> <p>The observed volume after adjustment for factors such as temperature or gravity.</p> <p>GS1 Description: The usage of this code relates to the contents, e.g. gases or liquids that expand/contract under given circumstances.</p> |
| AAZ | <p>Water content</p> <p>Water content in product.</p> |
| ABF | <p>Item width when unrolled</p> <p>The width of an item when unrolled.</p> |
| ABG | <p>Item length when unrolled</p> <p>The length of an item when unrolled.</p> |
| ABH | <p>Item area when unrolled</p> <p>The area occupied by an item when unrolled.</p> |
| ABI | <p>Original wort</p> <p>Measure of the malt and hops content of beer, before fermentation has taken place.</p> |
| ABJ | <p>Volume</p> <p>The amount of air space taken up by the entity identified in the 6311 qualifier.</p> <p>GS1 Description: The usage of this code relates to the cube of air that the package takes up.</p> |

Used Codes

| | |
|-----|--|
| ABK | Angle The angle of an object. EDIFACT |
| ABL | Peg hole horizontal distance from package leftmost edge Horizontal distance from the left most edge of the package to the center of the hole into which the peg is inserted. EDIFACT |
| ABM | Peg hole vertical distance from top Vertical distance from the top of the package to the top of the hole into which the peg is inserted. EDIFACT |
| ABO | Product strength, chemical The amount of the single active chemical ingredient within a product. EDIFACT |
| ABP | Product strength basis, chemical Amount of product used as the basis for the specification of the chemical product strength. EDIFACT |
| ABQ | Percentage of alcohol (by volume) The percentage of alcohol contained in a liquid. |
| ACG | Chargeable weight The weight on which charges are based. |
| ACN | Estimated gross weight Estimated weight (mass) of goods, including packing and excluding carrier's. GS1 Description: Estimated gross weight (mass) of goods, including packing and excluding carrier's equipment. |
| ACP | Estimated volume Estimated size or measure of anything in three dimensions. GS1 Description: The usage of this code relates to the cube of air that the package takes up. |
| ACV | Loading meters The length in a vehicle, whereby the complete width and height over that length is needed for the goods. |
| ADJ | Surface (GS1 Temporary Code) A measurement in relation a surface. |
| ADX | Transport container actual filling weight Actual filling weight of a transport container. |
| ADY | Transport container maximum capacity Maximum capacity of a transport container. |

Used Codes

| | |
|-----|--|
| ADZ | <p>Declared net weight</p> <p>The declared net weight of a product or products used for invoicing, customs or transport purposes.</p> <p>GS1 Description: The field of implementation of this code is the area of transport and/or customs.</p> |
| AEA | <p>Loading height</p> <p>Maximum height of products or packages loaded onto a given transportation device or equipment such as a pallet.</p> |
| AEB | <p>Stacking height</p> <p>Maximum height up to which the same product or package may be placed one upon the other for storage purposes.</p> |
| AEI | <p>Drained weight</p> <p>The weight of a product when all liquids used in the packaging of the product have been removed.</p> |
| AEL | <p>Area</p> <p>Extent or measure of a surface.</p> |
| AEV | <p>Acidity of juice</p> <p>Acid measurement of juice.</p> <p>GS1 Description: Acid number of juice of fruit measured with pH = 8.2.</p> |
| AEW | <p>Penetrometry</p> <p>Measurement of force required to drive a standard penetrating stamp.</p> |
| AEX | <p>Durofel</p> <p>Measurement of the elastic force using a standard penetrating stamp.</p> <p>GS1 Description: Measure of the elastic force of the pulp of a fruit. This is measured with a penetrating stamp and expressed as a percentage.</p> |
| AEY | <p>Juice weight per 100 grams</p> <p>Measurement of weight of juice, based on 100 grams of the entire weight.</p> <p>GS1 Description: Weight of juice, based on 100 grams of the entire fruit, expressed as a percentage.</p> |
| AEZ | <p>Fruit skin colour</p> <p>Measurement of the colouring of the epidermis of a fruit.</p> <p>GS1 Description: Colouring of the epidermis of a fruit measured with comparators. It indicates the maturity of the fruit or its commercial quality.</p> |

Used Codes

| | |
|-----|--|
| AFB | <p>Durofel D10</p> <p>Measure of the elastic force of the pulp of a fruit. It is measured with a penetrating stamp with diameter 10.</p> <p>GS1 Description: Measure of the elastic force of the pulp of a fruit. It is measured with a penetrating stamp with diameter 10. This measure is expressed as a percentage.</p> |
| AFC | <p>Durofel D25</p> <p>Measure of the elastic force of the pulp of a fruit. It is measured with a penetrating stamp with diameter 25.</p> <p>GS1 Description: Measure of the elastic force of the pulp of a fruit. It is measured with a penetrating stamp with diameter 25. This measure is expressed as a percentage.</p> |
| AFD | <p>Durofel D50</p> <p>Measure of the elastic force of the pulp of a fruit. It is measured with a penetrating stamp with diameter 50.</p> <p>GS1 Description: Measure of the elastic force of the pulp of a fruit. It is measured with a penetrating stamp with diameter 50. This measure is expressed as a percentage.</p> |
| AFE | <p>Maximum stacking weight</p> <p>The maximum weight which may be stacked upon a product or package without the product or packaging being crushed.</p> |
| AFF | <p>Gross measure cube</p> <p>The total cubic space occupied by an item, taking into account any protruding components, arrived at by multiplying the maximum length, width and height.</p> |
| AFG | <p>Percentage fat content in dry matter</p> <p>The percentage of fat content in dry matter.</p> |
| AFH | <p>Saccharometric content</p> <p>Measurement of the sugar content of a solution.</p> <p>EDIFACT</p> |
| AFI | <p>Hydrate content of an alcoholic product after bottling</p> <p>The hydrate content which occurs in an alcoholic product after bottling.</p> |
| AFJ | <p>Anhydrous content</p> <p>The non-water content.</p> <p>GS1 Description: Anydrous content of an alcoholic product.</p> |
| AFT | <p>Colour depth</p> <p>The number of distinct colours represented, e.g. in an image or in a display.</p> |
| AFU | <p>Colour depth, maximum</p> <p>The maximum number of distinct colours that can be represented, e.g. in an image or in a display.</p> |

Used Codes

| | |
|-----|---|
| AFV | Image resolution The level of detail of an image. |
| AFW | Device resolution, maximum The maximum level of detail produced by a device. |
| AFX | Acoustic absorption coefficient The portion of sound energy a surface absorbs, measured at different frequencies. |
| BNU | Peg hole number Used to identify the peg hole if more than one hole is present in the product or packaging. |
| BNV | Number of inner packs Indicates the number of non coded physical groupings (inner packs) of next lower level trade items within the current trade item level. |
| BNW | Number of next level trade items within inner pack The number of next lower level trade items contained within the physical non-coded grouping (inner pack). |
| BNX | Number of trade items per pallet layer The number of trade items contained on a single layer of a pallet. |
| BNY | Packed items layer Height The height of a single layer of packed items. |
| BNZ | Packing material weight, skin tight covering The weight measurement of the packing material used for skin tight covering (e.g. when packaging prepared meats, poultry, cheese, and other food products). |
| BRB | Components labelled for recycling percentage Percentage of trade item components that clearly label how to facilitate product disassembly and recycling. |
| BRC | Renewable plastic components percentage, by net weight The percentage of the plastic components only made from rapidly renewable plant-based material by net weight of product. |
| BRD | Clamp pressure, required The pressure that should be applied by a clamp. |
| BUP | Number of base units per pallet (GS1 Temporary Code) The number of base units contained in a pallet. |
| CF1 | Colony forming Unit (GS1 Temporary Code) Micro-organism colonies that are to be counted under determined conditions. |
| CT | Contents of package In combination with the other data elements of the actual segment this code indicates the measured content of a package. |

Used Codes

| | |
|-----|---|
| DBX | Degree BRIX (GS1 Temporary Code) The rate of sugar. |
| DI | Diameter Diameter of an article. |
| DLL | Diluted liquid (GS1 Temporary Code) The volume of liquid which results after a dilution agent has been added, e.g. undiluted orange juice of 200ml, after dilution with water the volume of diluted liquid equals 1 litre. |
| DN | Density The measured density. |
| DP | Depth The measured depth. |
| ENE | Energy efficiency (GS1 Temporary Code) A measurement of the energy efficiency of an article. |
| G | Gross weight [6292] Weight (mass) of goods including packing but excluding the carrier's equipment. GS1 Description: The field of implementation of this code is the area of transport and related activities such as the preparation of goods into consignments for shipping. |
| HT | Height dimension Numeric value of height. |
| HYE | Hydrate content (GS1 Temporary Code) Hydrate content of an alcoholic product. |
| ID | Inside diameter The measured inside diameter. GS1 Description: A measurement of the inside diameter of a roll, tube, pipe, or circle. |
| LAY | Number of layers (GS1 Temporary Code) Number of layers of a product or products within a package, container, pallet, etc. GS1 Description: Number of layers of a product or products within a package, container, pallet, etc. |
| LN | Length dimension (6168) Length of pieces or packages stated for transport purposes. |
| MDM | Maximum demand (GS1 Temporary Code) The highest demand recorded during the period of recording of usage of the supply. |
| NPL | Number of layers per pallet (GS1 Temporary Code) The number of layers per pallet. |

Used Codes

| | |
|-----|--|
| NPP | <p>Number of pallet places (GS1 Temporary Code)</p> <p>The number of pallet places needed to store or transport pallets (can be stacked).</p> |
| OD | <p>Outside diameter</p> <p>The measured outside diameter.</p> <p>GS1 Description: A measurement of the outside diameter of a roll, tube, pipe, or circle.</p> |
| PMC | <p>Package net measurement cube (GS1 Temporary Code)</p> <p>An indication of the net cubed measurement of a package.</p> |
| PWF | <p>Power factor (GS1 Temporary Code)</p> <p>The ration of the power dissipated (active power in kW) to the total power (which is the product of the input volts times amps given in kVa). When equipment which uses reactive power is being operated the power factor will be less than one.</p> |
| RA | <p>Relative humidity</p> <p>The measured relative humidity.</p> |
| RJ | <p>Rockwell C</p> <p>Hardness in the Rockwell C scale.</p> |
| SF | <p>Stacking factor excluding bottom item (GS1 Temporary Code)</p> <p>Maximum number of items stackable upon each other, excluding the bottom item.</p> |
| SPG | <p>Specific gravity (GS1 Temporary Code)</p> <p>The measured specific gravity.</p> |
| SSZ | <p>Step size (GS1 Temporary Code)</p> <p>An indication of measurements in which options contained within a Customer Specific Article are available, e.g. 10 metre planks of wood may be sold in step sizes of 2 metres.</p> |
| T | <p>Tare weight</p> <p>Weight excluding goods and loose accessories.</p> |
| TC | <p>Temperature</p> <p>A measurement in relation to temperature.</p> |
| TH | <p>Thickness</p> <p>The measured thickness.</p> |
| TN | <p>Time period</p> <p>Measurement of a specific length of time.</p> |
| UCO | <p>Units per package (GS1 Temporary Code)</p> <p>The number of identified units per package.</p> |
| ULY | <p>Number of units per layer (GS1 Temporary Code)</p> <p>Number of units of a product or package within one layer of a package, container, pallet, etc.</p> |

Used Codes

| | |
|-----|--|
| WD | Width dimension Numeric value of width. |
| WRM | Weight per running metre (GS1 Temporary Code) A code used to indicate the weight per running metre of floor coverings over floor area. |
| WSM | Weight per square metre (GS1 Temporary Code) A code used to indicate the weight per square metre of floor coverings over floor area. |
| X01 | Acidity of meat (1 hour after slaughtering) The meat's acid quality or condition expressed as a pH value measured 1 hour after slaughtering. |
| X02 | Acidity of meat (12 hours after slaughtering) The meat's acid quality or condition expressed as a pH value measured 12 hours after slaughtering. |
| X03 | Acidity of meat (24 hours after slaughtering) The meat's acid quality or condition expressed as a pH value measured 24 hours after slaughtering. |
| X04 | Acidity of meat (36 hour(s) after slaughtering) The meat's acid quality or condition expressed as a pH value measured 36 hours after slaughtering. |
| X05 | Acidity of meat (48 hour(s) after slaughtering) The meat's acid quality or condition expressed as a pH value measured 48 hours after slaughtering. |
| X13 | Acidity of meat (GS1 Temporary Code) The meat's acid quality or condition expressed as a pH value. |
| X16 | Slaughtering weight (GS1 Temporary Code) Warm weight after slaughter |
| X17 | Stacking factor including bottom item (GS1 Temporary Code) Maximum number of items stackable upon each other, including the bottom item. |
| X1E | Number of units in the width of a layer (GS1 Temporary Code) Number of units of a product or package which make up the width of a layer in a package, container, pallet, etc. |
| X2E | Number of units in the depth of a layer (GS1 Temporary Code) Number of units of a product or package which make up the depth of a layer in a package, container, pallet, etc. |
| X6E | Nestable percentage (GS1 Temporary Code) Extent expressed as a percentage to which an item can be nested within an identical item. |

Used Codes

| | |
|-------------|---|
| X7E | Gross weight including carrier's equipment (GS1 Temporary Code) Weight (mass) of goods including packaging and the carrier's equipment. In this context 'carrier's equipment' means any material resources necessary to facilitate the transport and handling of the goods without having the ability to move by its own propulsion, e.g. pallet, container, etc. GS1 usage Note The field of implementation of this code is the area of transport and related activities such as the preparation of goods into consignments for shipping. |
| ZWA | Waste content The measured waste content. |
| 6321 | Measurement significance code Code specifying the significance of a measurement. |
| 3 | Approximately The measurement is approximately equal to that specified. |
| 4 | Equal to The measurement is equal to that specified. |
| 5 | Greater than or equal to The measurement is greater than or equal to that specified. |
| 6 | Greater than The measurement is greater than that specified. |
| 7 | Less than The measurement is less than that specified. |
| 8 | Less than or equal to The measurement is less than or equal to that specified. |
| 12 | True value The measurement reported is a true value. |
| 6343 | Currency type code qualifier Code qualifying the type of currency. |
| 4 | Invoicing currency The name or symbol of the monetary unit used for calculation in an invoice. |
| 10 | Pricing currency The name or symbol of the monetary unit used for pricing purposes. |
| 6345 | Currency identification code Code specifying a monetary unit. Notes: 1. Use ISO 4217 three alpha code. |
| AED | Dirham |

Used Codes

| | |
|-----|--|
| AFN | Afghani |
| ALL | Lek |
| AMD | Dram |
| ANG | Netherlands Antillian Guilder |
| AOA | Kwanza |
| ARS | Argentine Peso |
| AUD | Australian Dollar |
| AWG | Aruban Florin |
| AZN | Azerbaijan Manat |
| BAM | Convertible Mark |
| BBD | Barbados Dollar |
| BDT | Taka |
| BGN | Bulgarian Lev |
| BHD | Bahraini Dinar |
| BIF | Burundi Franc |
| BMD | Bermudian Dollar (customarily: Bermuda Dollar) |
| BND | Brunei Dollar |
| BOB | Boliviano |
| BOV | Mvdol |
| BRL | Brazilian Real |
| BSD | Bahamian Dollar |
| BTN | Ngultrum |
| BWP | Pula |
| BYN | Belarussian Ruble |
| BZD | Belize Dollar |
| CAD | Canadian Dollar |
| CDF | Franc Congolais |
| CHE | WIR Euro |
| CHF | Swiss Franc |
| CHW | WIR Franc |
| CLF | Unidad de Fomento |
| CLP | Chilean Peso |
| CNY | Yuan Renminbi |

Used Codes

| | |
|-----|------------------------|
| COP | Colombian Peso |
| COU | Unidad de Valor Real |
| CRC | Costa Rican Colon |
| CUC | Peso Convertible |
| CUP | Cuban Peso |
| CVE | Cabo Verde Escudo |
| CZK | Czech Koruna |
| DJF | Djibouti Franc |
| DKK | Danish Krone |
| DOP | Dominican Peso |
| DZD | Algerian Dinar |
| EGP | Egyptian Pound |
| ERN | Nakfa |
| ETB | Ethopian Birr |
| EUR | Euro |
| FJD | Fiji Dollar |
| FKP | Falkland Islands Pound |
| GBP | Pound Sterling |
| GEL | Lari |
| GHS | Ghana Cedi |
| GIP | Gibraltar Pound |
| GMD | Dalasi |
| GNF | Guinean Franc |
| GTQ | Quetzal |
| GYD | Guyana Dollar |
| HKD | Honk Kong Dollar |
| HNL | Lempira |
| HRK | Kuna |
| HTG | Gourde |
| HUF | Forint |
| IDR | Rupiah |
| ILS | New Israeli Sheqel |
| INR | Indian Rupee |

Used Codes

| | |
|-----|-----------------------|
| IQD | Iraqi Dinar |
| IRR | Iranian Rial |
| ISK | Iceland Krona |
| JMD | Jamaican Dollar |
| JOD | Jordanian Dinar |
| JPY | Yen |
| KES | Kenyan Shilling |
| KGS | Som |
| KHR | Riel |
| KMF | Comorian Franc |
| KPW | North Korean Won |
| KRW | Won |
| KWD | Kuwaiti Dinar |
| KYD | Cayman Islands Dollar |
| KZT | Tenge |
| LAK | Lao Kip |
| LBP | Lebanese Pound |
| LKR | Sri Lanka Rupee |
| LRD | Liberian Dollar |
| LSL | Loti |
| LYD | Libyan Dinar |
| MAD | Moroccan Dirham |
| MDL | Moldovan Leu |
| MGA | Ariary |
| MKD | Denar |
| MMK | Kyat |
| MNT | Tugrik |
| MOP | Pataca |
| MRU | Ouguiya |
| MUR | Mauritius Rupee |
| MVR | Rufiyaa |
| MWK | Malawi Kwacha |
| MXN | Mexican Peso |

Used Codes

| | |
|-----|--|
| MXV | Mexican Unidad de Inversion (UDI) |
| MYR | Malaysian Ringgit |
| MZN | Mozambique Metical |
| NAD | Namibia Dollar |
| NGN | Naira |
| NIO | Cordoba Oro |
| NOK | Norwegian Krone |
| NPR | Nepalese Rupee |
| NZD | New Zealand Dollar |
| OMR | Rial Omani |
| PAB | Balboa |
| PEN | Sol |
| PGK | Kina |
| PHP | Philippine Piso |
| PKR | Pakistan Rupee |
| PLN | Zloty |
| PYG | Guarani |
| QAR | Qatari Rial |
| RON | Romanian Leu This currency code is effective from 1 July 2005 |
| RSD | Serbian Dinar |
| RUB | Russian Ruble |
| RWF | Rwanda Franc |
| SAR | Saudi Riyal |
| SBD | Solomon Islands Dollar |
| SCR | Seychelles Rupee |
| SDG | Sudanese Pound |
| SEK | Swedish Krona |
| SGD | Singapore Dollar |
| SHP | St. Helena Pound |
| SLL | Leone |
| SOS | Somali Shilling |
| SRD | Suriname Dollar |

Used Codes

| | |
|-----|--|
| SSP | South Sudanese Pound |
| STN | Dobra |
| SVC | El Salvador Colon |
| SYP | Syrian Pound |
| SZL | Lilangeni |
| THB | Baht |
| TJS | Somoni |
| TMT | Turkmenistan New Manat |
| TND | Tunisian Dinar |
| TOP | Pa'anga |
| TRY | Turkish Lira |
| TTD | Trinidad and Tobago Dollar |
| TWD | New Taiwan Dollar |
| TZS | Tanzanian Shilling |
| UAH | Hryvnia |
| UGX | Uganda Shilling |
| USD | US Dollar |
| USN | US Dollar (Next day) |
| UYI | Uruguayo Peso en Unidades |
| UYU | Peso Uruguayo |
| UYW | Unidad Previsional |
| UZS | Uzbekistan Sum |
| VES | Bolívar Soberano |
| VND | Dong |
| VUV | Vatu |
| WST | Tala |
| XAF | CFA Franc |
| XAG | Silver |
| XAU | Gold |
| XBA | Bond Markets Units European Composite Unit (EURCO) |
| XBB | European Monetary Unit (E.M.U.-6) |
| XBC | European Unit of Account 9 (E.U.A.-9) |
| XBD | European Unit of Account 17 (E.U.A.-17) |

Used Codes

| | |
|-----|---|
| XCD | East Carribean Dollar |
| XDR | SDR |
| XOF | CFA Franc |
| XPD | Palladium |
| XPF | CFP Franc |
| XPT | Platinum |
| XSU | Sucre |
| XTS | Codes specifically reserved for testing purposes |
| XUA | ADB Unit of Account |
| XXX | The codes assigned for transactions where no currency is involved |
| YER | Yemeni Rial |
| ZAR | Rand |
| ZMW | Zambian Kwacha |
| ZWL | Zimbabwe Dollar (effective 1 February 2009) |

6347

Currency usage code qualifier
Code qualifying the usage of a currency.

| | |
|---|--|
| 2 | Reference currency The currency applicable to amounts stated. It may have to be converted. |
| 3 | Target currency The currency which should be used to the target destination of the transaction. |

6411

Measurement unit code
Code specifying the unit of measurement.

Notes:

| 1. Recommend use UN/ECE Recommendation 20, Common code.

| | |
|----|---|
| 10 | group A unit of count defining the number of groups (group: set of items classified together). |
| 11 | outfit A unit of count defining the number of outfits (outfit: a complete set of equipment / materials / objects used for a specific purpose). |
| 13 | ration A unit of count defining the number of rations (ration: a single portion of provisions). |

Used Codes

| | |
|----|--|
| 14 | shot A unit of liquid measure, especially related to spirits. |
| 15 | stick, military A unit of count defining the number of military sticks (military stick: bombs or paratroops released in rapid succession from an aircraft). |
| 20 | twenty foot container A unit of count defining the number of shipping containers that measure 20 foot in length. |
| 21 | forty foot container A unit of count defining the number of shipping containers that measure 40 foot in length. |
| 22 | decilitre per gram |
| 23 | gram per cubic centimetre |
| 24 | theoretical pound A unit of mass defining the expected mass of material expressed as the number of pounds. |
| 25 | gram per square centimetre |
| 27 | theoretical ton A unit of mass defining the expected mass of material, expressed as the number of tons. |
| 28 | kilogram per square metre |
| 33 | kilopascal square metre per gram |
| 34 | kilopascal per millimetre |
| 35 | millilitre per square centimetre second |
| 37 | ounce per square foot |
| 38 | ounce per square foot per 0,01inch |
| 40 | millilitre per second |
| 41 | millilitre per minute |
| 56 | sitas A unit of area for tin plate equal to a surface area of 100 square metres. |
| 57 | mesh A unit of count defining the number of strands per inch as a measure of the fineness of a woven product. |
| 58 | net kilogram A unit of mass defining the total number of kilograms after deductions. |
| 59 | part per million A unit of proportion equal to 10 to the power of -6. |

Used Codes

| | |
|----|--|
| 60 | percent weight A unit of proportion equal to 10 to the power of -2. |
| 61 | part per billion (US) A unit of proportion equal to 10 to the power of -9. |
| 64 | pound per square inch, gauge |
| 66 | oersted |
| 74 | millipascal |
| 76 | gauss |
| 77 | milli-inch |
| 78 | kilogauss |
| 80 | pound per square inch absolute |
| 81 | henry |
| 84 | kilopound-force per square inch A unit of pressure defining the number of kilopounds force per square inch. Use kip per square inch (common code N20). |
| 85 | foot pound-force |
| 87 | pound per cubic foot |
| 89 | poise |
| 91 | stokes |
| 1I | fixed rate A unit of quantity expressed as a predetermined or set rate for usage of a facility or service. |
| 2A | radian per second Refer ISO/TC12 SI Guide |
| 2B | radian per second squared Refer ISO/TC12 SI Guide |
| 2C | roentgen |
| 2G | volt AC A unit of electric potential in relation to alternating current (AC). |
| 2H | volt DC A unit of electric potential in relation to direct current (DC). |
| 2I | British thermal unit (international table) per hour |
| 2J | cubic centimetre per second |
| 2K | cubic foot per hour |
| 2L | cubic foot per minute |

Used Codes

| | |
|----|---|
| 2M | centimetre per second |
| 2N | decibel |
| 2P | kilobyte A unit of information equal to 10 to the power of 3 (1000) bytes. |
| 2Q | kilobecquerel |
| 2R | kilocurie |
| 2U | megagram |
| 2X | metre per minute |
| 2Y | milliroentgen |
| 2Z | millivolt |
| 3B | megajoule |
| 3C | manmonth A unit of count defining the number of months for a person or persons to perform an undertaking. |
| 4C | centistokes |
| 4G | microlitre |
| 4H | micrometre (micron) |
| 4K | milliampere |
| 4L | megabyte A unit of information equal to 10 to the power of 6 (1000000) bytes. |
| 4M | milligram per hour |
| 4N | megabecquerel |
| 4O | microfarad |
| 4P | newton per metre |
| 4Q | ounce inch |
| 4R | ounce foot |
| 4T | picofarad |
| 4U | pound per hour |
| 4W | ton (US) per hour |
| 4X | kilolitre per hour |
| 5A | barrel (US) per minute |
| 5B | batch A unit of count defining the number of batches (batch: quantity of material produced in one operation or number of animals or persons coming at once). |

Used Codes

| | |
|-----|--|
| 5E | MMSCF/day A unit of volume equal to one million (1000000) cubic feet of gas per day. |
| 5J | hydraulic horse power A unit of power defining the hydraulic horse power delivered by a fluid pump depending on the viscosity of the fluid. |
| A1 | 15 °C calorie |
| A10 | ampere square metre per joule second |
| A11 | angstrom |
| A12 | astronomical unit |
| A13 | attojoule |
| A14 | barn |
| A15 | barn per electronvolt |
| A16 | barn per steradian electronvolt |
| A17 | barn per steradian |
| A18 | becquerel per kilogram |
| A19 | becquerel per cubic metre |
| A2 | ampere per centimetre |
| A20 | British thermal unit (international table) per second square foot degree Rankine |
| A21 | British thermal unit (international table) per pound degree Rankine |
| A22 | British thermal unit (international table) per second foot degree Rankine |
| A23 | British thermal unit (international table) per hour square foot degree Rankine |
| A24 | candela per square metre |
| A25 | cheval vapeur Synonym: metric horse power |
| A26 | coulomb metre |
| A27 | coulomb metre squared per volt |
| A28 | coulomb per cubic centimetre |
| A29 | coulomb per cubic metre |
| A3 | ampere per millimetre |
| A30 | coulomb per cubic millimetre |
| A31 | coulomb per kilogram second |
| A32 | coulomb per mole |
| A33 | coulomb per square centimetre |
| A34 | coulomb per square metre |

Used Codes

| | |
|-----|---|
| A35 | coulomb per square millimetre |
| A36 | cubic centimetre per mole |
| A37 | cubic decimetre per mole |
| A38 | cubic metre per coulomb |
| A39 | cubic metre per kilogram |
| A4 | ampere per square centimetre |
| A40 | cubic metre per mole |
| A41 | ampere per square metre |
| A42 | curie per kilogram |
| A43 | deadweight tonnage A unit of mass defining the difference between the weight of a ship when completely empty and its weight when completely loaded, expressed as the number of tons. |
| A44 | decalitre |
| A45 | decametre |
| A47 | decitex A unit of yarn density. One decitex equals a mass of 1 gram per 10 kilometres of length. |
| A48 | degree Rankine Refer ISO 80000-5 (Quantities and units — Part 5: Thermodynamics) |
| A49 | denier A unit of yarn density. One denier equals a mass of 1 gram per 9 kilometres of length. |
| A5 | ampere square metre |
| A50 | dyne second per cubic centimetre |
| A51 | dyne second per centimetre |
| A52 | dyne second per centimetre to the fifth power |
| A53 | electronvolt |
| A54 | electronvolt per metre |
| A55 | electronvolt square metre |
| A56 | electronvolt square metre per kilogram |
| A57 | erg |
| A58 | erg per centimetre |

Used Codes

| | |
|-----|---|
| A59 | 8-part cloud cover A unit of count defining the number of eighth-parts as a measure of the celestial dome cloud coverage. Synonym: OKTA , OCTA |
| A6 | ampere per square metre kelvin squared |
| A60 | erg per cubic centimetre |
| A61 | erg per gram |
| A62 | erg per gram second |
| A63 | erg per second |
| A64 | erg per second square centimetre |
| A65 | erg per square centimetre second |
| A66 | erg square centimetre |
| A67 | erg square centimetre per gram |
| A68 | exajoule |
| A69 | farad per metre |
| A7 | ampere per square millimetre |
| A70 | femtojoule |
| A71 | femtometre |
| A73 | foot per second squared |
| A74 | foot pound-force per second |
| A75 | freight ton A unit of information typically used for billing purposes, defined as either the number of metric tons or the number of cubic metres, whichever is the larger. |
| A76 | gal |
| A77 | Gaussian CGS (Centimetre-Gram-Second system) unit of displacement |
| A78 | Gaussian CGS (Centimetre-Gram-Second system) unit of electric current |
| A79 | Gaussian CGS (Centimetre-Gram-Second system) unit of electric charge |
| A8 | ampere second |
| A80 | Gaussian CGS (Centimetre-Gram-Second system) unit of electric field strength |
| A81 | Gaussian CGS (Centimetre-Gram-Second system) unit of electric polarization |
| A82 | Gaussian CGS (Centimetre-Gram-Second system) unit of electric potential |
| A83 | Gaussian CGS (Centimetre-Gram-Second system) unit of magnetization |
| A84 | gigacoulomb per cubic metre |
| A85 | gigaelectronvolt |
| A86 | gigahertz |

Used Codes

| | |
|-----|---|
| A87 | gigaohm |
| A88 | gigaohm metre |
| A89 | gigapascal |
| A9 | rate A unit of quantity expressed as a rate for usage of a facility or service. |
| A90 | gigawatt |
| A91 | gon Synonym: grade |
| A93 | gram per cubic metre |
| A94 | gram per mole |
| A95 | gray |
| A96 | gray per second |
| A97 | hectopascal |
| A98 | henry per metre |
| A99 | bit A unit of information equal to one binary digit. |
| AA | ball A unit of count defining the number of balls (ball: object formed in the shape of sphere). |
| AB | bulk pack A unit of count defining the number of items per bulk pack. |
| ACR | acre |
| ACT | activity A unit of count defining the number of activities (activity: a unit of work or action). |
| AD | byte A unit of information equal to 8 bits. |
| AE | ampere per metre |
| AH | additional minute A unit of time defining the number of minutes in addition to the referenced minutes. |
| AI | average minute per call A unit of count defining the number of minutes for the average interval of a call. |
| AK | fathom |
| AL | access line A unit of count defining the number of telephone access lines. |

Used Codes

| | |
|-----|---|
| AMH | ampere hour A unit of electric charge defining the amount of charge accumulated by a steady flow of one ampere for one hour. |
| AMP | ampere |
| ANN | year Unit of time equal to 365,25 days. Synonym: Julian year |
| APZ | troy ounce or apothecary ounce |
| AQ | anti-hemophilic factor (AHF) unit A unit of measure for blood potency (US). |
| ARE | are Synonym: square decametre |
| AS | assortment A unit of count defining the number of assortments (assortment: set of items grouped in a mixed collection). |
| ASM | alcoholic strength by mass A unit of mass defining the alcoholic strength of a liquid. |
| ASU | alcoholic strength by volume A unit of volume defining the alcoholic strength of a liquid (e.g. spirit, wine, beer, etc), often at a specific temperature. |
| ATM | standard atmosphere |
| ATT | technical atmosphere |
| AWG | american wire gauge A unit of distance used for measuring the diameter of small tubes or wires such as the outer diameter of hypotermic or suture needles. |
| AY | assembly A unit of count defining the number of assemblies (assembly: items that consist of component parts). |
| AZ | British thermal unit (international table) per pound |
| B1 | barrel (US) per day |
| B10 | bit per second A unit of information equal to one binary digit per second. |
| B11 | joule per kilogram kelvin |
| B12 | joule per metre |
| B13 | joule per square metre Synonym: joule per metre squared |
| B14 | joule per metre to the fourth power |
| B15 | joule per mole |

Used Codes

| | |
|-----|--|
| B16 | joule per mole kelvin |
| B17 | credit A unit of count defining the number of entries made to the credit side of an account. |
| B18 | joule second |
| B19 | digit A unit of information defining the quantity of numerals used to form a number. |
| B20 | joule square metre per kilogram |
| B21 | kelvin per watt |
| B22 | kiloampere |
| B23 | kiloampere per square metre |
| B24 | kiloampere per metre |
| B25 | kilobecquerel per kilogram |
| B26 | kilocoulomb |
| B27 | kilocoulomb per cubic metre |
| B28 | kilocoulomb per square metre |
| B29 | kiloelectronvolt |
| B3 | batting pound A unit of mass defining the number of pounds of wadded fibre. |
| B30 | gibibit A unit of information equal to 2^{30} bits (binary digits). |
| B31 | kilogram metre per second |
| B32 | kilogram metre squared |
| B33 | kilogram metre squared per second |
| B34 | kilogram per cubic decimetre |
| B35 | kilogram per litre |
| B36 | calorie (thermochemical) per gram |
| B37 | kilogram-force |
| B38 | kilogram-force metre |
| B39 | kilogram-force metre per second |
| B4 | barrel, imperial A unit of volume used to measure beer. One beer barrel equals 36 imperial gallons. |
| B40 | kilogram-force per square metre |
| B41 | kilojoule per kelvin |

Used Codes

| | |
|-----|--|
| B42 | kilojoule per kilogram |
| B43 | kilojoule per kilogram kelvin |
| B44 | kilojoule per mole |
| B45 | kilomole |
| B46 | kilomole per cubic metre |
| B47 | kilonewton |
| B48 | kilonewton metre |
| B49 | kiloohm |
| B50 | kiloohm metre |
| B51 | kilopond Synonym: kilogram-force |
| B52 | kilosecond |
| B53 | kilosiemens |
| B54 | kilosiemens per metre |
| B55 | kilovolt per metre |
| B56 | kiloweber per metre |
| B57 | light year A unit of length defining the distance that light travels in a vacuum in one year. |
| B58 | litre per mole |
| B59 | lumen hour |
| B60 | lumen per square metre |
| B61 | lumen per watt |
| B62 | lumen second |
| B63 | lux hour |
| B64 | lux second |
| B65 | maxwell |
| B66 | megaampere per square metre |
| B67 | megabecquerel per kilogram |
| B68 | gigabit A unit of information equal to 10 to the power of 9 bits (binary digits). |
| B69 | megacoulomb per cubic metre |
| B7 | cycle A unit of count defining the number of cycles (cycle: a recurrent period of definite duration). |

Used Codes

| | |
|-----|--|
| B70 | megacoulomb per square metre |
| B71 | megaelectronvolt |
| B72 | megagram per cubic metre |
| B73 | meganewton |
| B74 | meganewton metre |
| B75 | megaohm |
| B76 | megaohm metre |
| B77 | megasiemens per metre |
| B78 | megavolt |
| B79 | megavolt per metre |
| B8 | joule per cubic metre |
| B80 | gigabit per second A unit of information equal to 10 to the power of 9 bits (binary digits) per second. |
| B81 | reciprocal metre squared reciprocal second |
| B82 | inch per linear foot A unit of length defining the number of inches per linear foot. |
| B83 | metre to the fourth power |
| B84 | microampere |
| B85 | microbar |
| B86 | microcoulomb |
| B87 | microcoulomb per cubic metre |
| B88 | microcoulomb per square metre |
| B89 | microfarad per metre |
| B90 | microhenry |
| B91 | microhenry per metre |
| B92 | micronewton |
| B93 | micronewton metre |
| B94 | microohm |
| B95 | microohm metre |
| B96 | micropascal |
| B97 | microradian |
| B98 | microsecond |
| B99 | microsiemens |

Used Codes

| | |
|-----|---|
| BAR | bar [unit of pressure] |
| BB | base box A unit of area of 112 sheets of tin mil products (tin plate, tin free steel or black plate) 14 by 20 inches, or 31,360 square inches. |
| BFT | board foot A unit of volume defining the number of cords (cord: a stack of firewood of 128 cubic feet). |
| BHP | brake horse power |
| BIL | billion (EUR) Synonym: trillion (US) |
| BLD | dry barrel (US) |
| BLL | barrel (US) |
| BP | hundred board foot A unit of volume equal to one hundred board foot. |
| BPM | beats per minute The number of beats per minute. |
| BQL | becquerel |
| BTU | British thermal unit (international table) |
| BUA | bushel (US) |
| BUI | bushel (UK) |
| C0 | call A unit of count defining the number of calls (call: communication session or visitation). |
| C10 | millifarad |
| C11 | milligal |
| C12 | milligram per metre |
| C13 | milligray |
| C14 | millihenry |
| C15 | millijoule |
| C16 | millimetre per second |
| C17 | millimetre squared per second |
| C18 | millimole |
| C19 | mole per kilogram |
| C20 | millinewton |
| C21 | kibibit A unit of information equal to 2 to the power of 10 (1024) bits (binary digits). |

Used Codes

| | |
|-----|---|
| C22 | millinewton per metre |
| C23 | milliohm metre |
| C24 | millipascal second |
| C25 | milliradian |
| C26 | millisecond |
| C27 | millisiemens |
| C28 | millisievert |
| C29 | millitesla |
| C3 | microvolt per metre |
| C30 | millivolt per metre |
| C31 | milliwatt |
| C32 | milliwatt per square metre |
| C33 | milliweber |
| C34 | mole |
| C35 | mole per cubic decimetre |
| C36 | mole per cubic metre |
| C37 | kilobit A unit of information equal to 10 to the power of 3 (1000) bits (binary digits). |
| C38 | mole per litre |
| C39 | nanoampere |
| C40 | nanocoulomb |
| C41 | nanofarad |
| C42 | nanofarad per metre |
| C43 | nanohenry |
| C44 | nanohenry per metre |
| C45 | nanometre |
| C46 | nanoohm metre |
| C47 | nanosecond |
| C48 | nanotesla |
| C49 | nanowatt |
| C50 | neper |
| C51 | neper per second |
| C52 | picometre |

Used Codes

| | |
|-----|---|
| C53 | newton metre second |
| C54 | newton metre squared per kilogram squared |
| C55 | newton per square metre |
| C56 | newton per square millimetre |
| C57 | newton second |
| C58 | newton second per metre |
| C59 | octave A unit used in music to describe the ratio in frequency between notes. |
| C60 | ohm centimetre |
| C61 | ohm metre |
| C62 | one Synonym: unit |
| C63 | parsec |
| C64 | pascal per kelvin |
| C65 | pascal second |
| C66 | pascal second per cubic metre |
| C67 | pascal second per metre |
| C68 | petajoule |
| C69 | phon A unit of subjective sound loudness. A sound has loudness p phons if it seems to the listener to be equal in loudness to the sound of a pure tone of frequency 1 kilohertz and strength p decibels. |
| C7 | centipoise |
| C70 | picoampere |
| C71 | picocoulomb |
| C72 | picofarad per metre |
| C73 | picohenry |
| C74 | kilobit per second A unit of information equal to 10 to the power of 3 (1000) bits (binary digits) per second. |
| C75 | picowatt |
| C76 | picowatt per square metre |
| C78 | pound-force |
| C79 | kilovolt ampere hour A unit of accumulated energy of 1000 volt amperes over a period of one hour. |

Used Codes

| | |
|-----|--|
| C8 | millicoulomb per kilogram |
| C80 | rad |
| C81 | radian |
| C82 | radian square metre per mole |
| C83 | radian square metre per kilogram |
| C84 | radian per metre |
| C85 | reciprocal angstrom |
| C86 | reciprocal cubic metre |
| C87 | reciprocal cubic metre per second Synonym: reciprocal second per cubic metre |
| C88 | reciprocal electron volt per cubic metre |
| C89 | reciprocal henry |
| C9 | coil group A unit of count defining the number of coil groups (coil group: groups of items arranged by lengths of those items placed in a joined sequence of concentric circles). |
| C90 | reciprocal joule per cubic metre |
| C91 | reciprocal kelvin or kelvin to the power minus one |
| C92 | reciprocal metre |
| C93 | reciprocal square metre Synonym: reciprocal metre squared |
| C94 | reciprocal minute |
| C95 | reciprocal mole |
| C96 | reciprocal pascal or pascal to the power minus one |
| C97 | reciprocal second |
| C99 | reciprocal second per metre squared |
| CCT | carrying capacity in metric ton A unit of mass defining the carrying capacity, expressed as the number of metric tons. |
| CDL | candela |
| CEL | degree Celsius Refer ISO 80000-5 (Quantities and units — Part 5: Thermodynamics) |
| CEN | hundred A unit of count defining the number of units in multiples of 100. |

Used Codes

| | |
|-----|--|
| CG | card A unit of count defining the number of units of card (card: thick stiff paper or cardboard). |
| CGM | centigram |
| CKG | coulomb per kilogram |
| CLF | hundred leave A unit of count defining the number of leaves, expressed in units of one hundred leaves. |
| CLT | centilitre |
| CMK | square centimetre |
| CMQ | cubic centimetre |
| CMT | centimetre |
| CNP | hundred pack A unit of count defining the number of hundred-packs (hundred-pack: set of one hundred items packaged together). |
| CNT | cental (UK) A unit of mass equal to one hundred weight (US). |
| COU | coulomb |
| CTG | content gram A unit of mass defining the number of grams of a named item in a product. |
| CTM | metric carat |
| CTN | content ton (metric) A unit of mass defining the number of metric tons of a named item in a product. |
| CUR | curie |
| CWA | hundred pound (cwt) / hundred weight (US) |
| CWI | hundred weight (UK) |
| D03 | kilowatt hour per hour A unit of accumulated energy of a thousand watts over a period of one hour. |
| D04 | lot [unit of weight] A unit of weight equal to about 1/2 ounce or 15 grams. |
| D1 | reciprocal second per steradian |
| D10 | siemens per metre |
| D11 | mebibit A unit of information equal to 2 to the power of 20 (1048576) bits (binary digits). |
| D12 | siemens square metre per mole |

Used Codes

| | |
|-----|---|
| D13 | sievert |
| D15 | sone A unit of subjective sound loudness. One sone is the loudness of a pure tone of frequency one kilohertz and strength 40 decibels. |
| D16 | square centimetre per erg |
| D17 | square centimetre per steradian erg |
| D18 | metre kelvin |
| D19 | square metre kelvin per watt |
| D2 | reciprocal second per steradian metre squared |
| D20 | square metre per joule |
| D21 | square metre per kilogram |
| D22 | square metre per mole |
| D23 | pen gram (protein) A unit of count defining the number of grams of amino acid prescribed for parenteral/enteral therapy. |
| D24 | square metre per steradian |
| D25 | square metre per steradian joule |
| D26 | square metre per volt second |
| D27 | steradian |
| D29 | terahertz |
| D30 | terajoule |
| D31 | terawatt |
| D32 | terawatt hour |
| D33 | tesla |
| D34 | tex A unit of yarn density. One decitex equals a mass of 1 gram per 1 kilometre of length. |
| D35 | calorie (thermochemical) |
| D36 | megabit A unit of information equal to 10 to the power of 6 (1000000) bits (binary digits). |
| D37 | calorie (thermochemical) per gram kelvin |
| D38 | calorie (thermochemical) per second centimetre kelvin |
| D39 | calorie (thermochemical) per second square centimetre kelvin |
| D41 | tonne per cubic metre |

Used Codes

| | |
|-----|---|
| D42 | tropical year |
| D43 | unified atomic mass unit |
| D44 | var The name of the unit is an acronym for volt-ampere-reactive. |
| D45 | volt squared per kelvin squared |
| D46 | volt - ampere |
| D47 | volt per centimetre |
| D48 | volt per kelvin |
| D49 | millivolt per kelvin |
| D5 | kilogram per square centimetre |
| D50 | volt per metre |
| D51 | volt per millimetre |
| D52 | watt per kelvin |
| D53 | watt per metre kelvin |
| D54 | watt per square metre |
| D55 | watt per square metre kelvin |
| D56 | watt per square metre kelvin to the fourth power |
| D57 | watt per steradian |
| D58 | watt per steradian square metre |
| D59 | weber per metre |
| D6 | roentgen per second |
| D60 | weber per millimetre |
| D61 | minute [unit of angle] |
| D62 | second [unit of angle] |
| D63 | book A unit of count defining the number of books (book: set of items bound together or written document of a material whole). |
| D65 | round A unit of count defining the number of rounds (round: A circular or cylindrical object). |
| D68 | number of words A unit of count defining the number of words. |
| D69 | inch to the fourth power |
| D70 | calorie (international table) |
| D71 | calorie (international table) per second centimetre kelvin |

Used Codes

| | |
|-----|---|
| D72 | calorie (international table) per second square centimetre kelvin |
| D73 | joule square metre |
| D74 | kilogram per mole |
| D75 | calorie (international table) per gram |
| D76 | calorie (international table) per gram kelvin |
| D77 | megacoulomb |
| D78 | megajoule per second A unit of accumulated energy equal to one million joules per second. |
| D80 | microwatt |
| D81 | microtesla |
| D82 | microvolt |
| D83 | millinewton metre |
| D85 | microwatt per square metre |
| D86 | millicoulomb |
| D87 | millimole per kilogram |
| D88 | millicoulomb per cubic metre |
| D89 | millicoulomb per square metre |
| D9 | dyne per square centimetre |
| D91 | rem |
| D93 | second per cubic metre |
| D94 | second per cubic metre radian |
| D95 | joule per gram |
| DAA | decare |
| DAD | ten day A unit of time defining the number of days in multiples of 10. |
| DAY | day |
| DB | dry pound A unit of mass defining the number of pounds of a product, disregarding the water content of the product. |
| DBM | Decibel-milliwatts dBm (sometimes dBmW or decibel-milliwatts) is unit of level used to indicate that a power ratio is expressed in decibels (dB) with reference to one milliwatt (mW). |
| DBW | Decibel watt The decibel watt or dBW is a unit for the measurement of the strength of a signal expressed in decibels relative to one watt. |

Used Codes

| | |
|-----|---|
| DD | degree [unit of angle] |
| DEC | decade A unit of count defining the number of decades (decade: quantity equal to 10 or time equal to 10 years). |
| DG | decigram |
| DJ | decagram |
| DLT | decilitre |
| DMA | cubic decametre |
| DMK | square decimetre |
| DMO | standard kilolitre A unit of volume defining the number of kilolitres of a product at a temperature of 15 degrees Celsius, especially in relation to hydrocarbon oils. |
| DMQ | cubic decimetre |
| DMT | decimetre |
| DN | decinewton metre |
| DPC | dozen piece A unit of count defining the number of pieces in multiples of 12 (piece: a single item, article or exemplar). |
| DPR | dozen pair A unit of count defining the number of pairs in multiples of 12 (pair: item described by two's). |
| DPT | displacement tonnage A unit of mass defining the volume of sea water a ship displaces, expressed as the number of tons. |
| DRA | dram (US) Synonym: drachm (UK), troy dram |
| DRI | dram (UK) Synonym: avoirdupois dram |
| DRL | dozen roll A unit of count defining the number of rolls, expressed in twelve roll units. |
| DT | dry ton A unit of mass defining the number of tons of a product, disregarding the water content of the product. |
| DTN | decitonne Synonym: centner, metric 100 kg, quintal, metric 100 kg |
| DU | dyne |
| DWT | pennyweight |

Used Codes

| | |
|-----|---|
| DX | dyne per centimetre |
| DZN | dozen A unit of count defining the number of units in multiples of 12. |
| DZP | dozen pack A unit of count defining the number of packs in multiples of 12 (pack: standard packaging unit). |
| E01 | newton per square centimetre A measure of pressure expressed in newtons per square centimetre. |
| E07 | megawatt hour per hour A unit of accumulated energy of a million watts over a period of one hour. |
| E08 | megawatt per hertz A unit of energy expressed as the load change in million watts that will cause a frequency shift of one hertz. |
| E09 | milliampere hour A unit of power load delivered at the rate of one thousandth of an ampere over a period of one hour. |
| E10 | degree day A unit of measure used in meteorology and engineering to measure the demand for heating or cooling over a given period of days. |
| E11 | gigacalorie A unit of heat energy equal to one thousand million calories. |
| E12 | mille A unit of count defining the number of cigarettes in units of 1000. |
| E14 | kilocalorie (international table) A unit of heat energy equal to one thousand calories. |
| E15 | kilocalorie (thermochemical) per hour A unit of energy equal to one thousand calories per hour. |
| E16 | million Btu(IT) per hour A unit of power equal to one million British thermal units per hour. |
| E17 | cubic foot per second A unit of volume equal to one cubic foot passing a given point in a period of one second. |
| E18 | tonne per hour A unit of weight or mass equal to one tonne per hour. |
| E19 | ping A unit of area equal to 3.3 square metres. |
| E20 | megabit per second A unit of information equal to 10 to the power of 6 (1000000) bits (binary digits) per second. |

Used Codes

| | |
|-----|--|
| E21 | shares A unit of count defining the number of shares (share: a total or portion of the parts into which a business entity's capital is divided). |
| E22 | TEU A unit of count defining the number of twenty-foot equivalent units (TEUs) as a measure of containerized cargo capacity. |
| E23 | tyre A unit of count defining the number of tyres (a solid or air-filled covering placed around a wheel rim to form a soft contact with the road, absorb shock and provide traction). |
| E25 | active unit A unit of count defining the number of active units within a substance. |
| E27 | dose A unit of count defining the number of doses (dose: a definite quantity of a medicine or drug). |
| E28 | air dry ton A unit of mass defining the number of tons of a product, disregarding the water content of the product. |
| E30 | strand A unit of count defining the number of strands (strand: long, thin, flexible, single thread, strip of fibre, constituent filament or multiples of the same, twisted together). |
| E31 | square metre per litre A unit of count defining the number of square metres per litre. |
| E32 | litre per hour A unit of count defining the number of litres per hour. |
| E33 | foot per thousand A unit of count defining the number of feet per thousand units. |
| E34 | gigabyte A unit of information equal to 10 to the power of 9 bytes. |
| E35 | terabyte A unit of information equal to 10 to the power of 12 bytes. |
| E36 | petabyte A unit of information equal to 10 to the power of 15 bytes. |
| E37 | pixel A unit of count defining the number of pixels (pixel: picture element). |
| E38 | megapixel A unit of count equal to 10 to the power of 6 (1000000) pixels (picture elements). |

Used Codes

| | |
|-----|--|
| E39 | dots per inch A unit of information defining the number of dots per linear inch as a measure of the resolution or sharpness of a graphic image. |
| E4 | gross kilogram A unit of mass defining the total number of kilograms before deductions. |
| E40 | part per hundred thousand A unit of proportion equal to 10 to the power of -5. |
| E41 | kilogram-force per square millimetre A unit of pressure defining the number of kilograms force per square millimetre. |
| E42 | kilogram-force per square centimetre A unit of pressure defining the number of kilograms force per square centimetre. |
| E43 | joule per square centimetre A unit of energy defining the number of joules per square centimetre. |
| E44 | kilogram-force metre per square centimetre A unit of torsion defining the torque kilogram-force metre per square centimetre. |
| E45 | milliohm |
| E46 | kilowatt hour per cubic metre A unit of energy consumption expressed as kilowatt hour per cubic metre. |
| E47 | kilowatt hour per kelvin A unit of energy consumption expressed as kilowatt hour per kelvin. |
| E48 | service unit A unit of count defining the number of service units (service unit: defined period / property / facility / utility of supply). |
| E49 | working day A unit of count defining the number of working days (working day: a day on which work is ordinarily performed). |
| E50 | accounting unit A unit of count defining the number of accounting units. |
| E51 | job A unit of count defining the number of jobs. |
| E52 | run foot A unit of count defining the number feet per run. |
| E53 | test A unit of count defining the number of tests. |
| E54 | trip A unit of count defining the number of trips. |

Used Codes

| | |
|-----|--|
| E55 | use A unit of count defining the number of times an object is used. |
| E56 | well A unit of count defining the number of wells. |
| E57 | zone A unit of count defining the number of zones. |
| E58 | exabit per second A unit of information equal to 10 to the power of 18 bits (binary digits) per second. |
| E59 | exbibyte A unit of information equal to 2 to the power of 60 bytes. |
| E60 | pebibyte A unit of information equal to 2 to the power of 50 bytes. |
| E61 | tebibyte A unit of information equal to 2 to the power of 40 bytes. |
| E62 | gibibyte A unit of information equal to 2 to the power of 30 bytes. |
| E63 | mebibyte A unit of information equal to 2 to the power of 20 bytes. |
| E64 | kibibyte A unit of information equal to 2 to the power of 10 bytes. |
| E65 | exbibit per metre A unit of information equal to 2 to the power of 60 bits (binary digits) per metre. |
| E66 | exbibit per square metre A unit of information equal to 2 to the power of 60 bits (binary digits) per square metre. |
| E67 | exbibit per cubic metre A unit of information equal to 2 to the power of 60 bits (binary digits) per cubic metre. |
| E68 | gigabyte per second A unit of information equal to 10 to the power of 9 bytes per second. |
| E69 | gibibit per metre A unit of information equal to 2 to the power of 30 bits (binary digits) per metre. |
| E70 | gibibit per square metre A unit of information equal to 2 to the power of 30 bits (binary digits) per square metre. |

Used Codes

| | |
|-----|--|
| E71 | gibibit per cubic metre A unit of information equal to 2 to the power of 30 bits (binary digits) per cubic metre. |
| E72 | kibibit per metre A unit of information equal to 2 to the power of 10 bits (binary digits) per metre. |
| E73 | kibibit per square metre A unit of information equal to 2 to the power of 10 bits (binary digits) per square metre. |
| E74 | kibibit per cubic metre A unit of information equal to 2 to the power of 10 bits (binary digits) per cubic metre. |
| E75 | mebibit per metre A unit of information equal to 2 to the power of 20 bits (binary digits) per metre. |
| E76 | mebibit per square metre A unit of information equal to 2 to the power of 20 bits (binary digits) per square metre. |
| E77 | mebibit per cubic metre A unit of information equal to 2 to the power of 20 bits (binary digits) per cubic metre. |
| E78 | petabit A unit of information equal to 10 to the power of 15 bits (binary digits). |
| E79 | petabit per second A unit of information equal to 10 to the power of 15 bits (binary digits) per second. |
| E80 | pebibit per metre A unit of information equal to 2 to the power of 50 bits (binary digits) per metre. |
| E81 | pebibit per square metre A unit of information equal to 2 to the power of 50 bits (binary digits) per square metre. |
| E82 | pebibit per cubic metre A unit of information equal to 2 to the power of 50 bits (binary digits) per cubic metre. |
| E83 | terabit A unit of information equal to 10 to the power of 12 bits (binary digits). |
| E84 | terabit per second A unit of information equal to 10 to the power of 12 bits (binary digits) per second. |

Used Codes

| | |
|-----|--|
| E85 | tebibit per metre A unit of information equal to 2 to the power of 40 bits (binary digits) per metre. |
| E86 | tebibit per cubic metre A unit of information equal to 2 to the power of 40 bits (binary digits) per cubic metre. |
| E87 | tebibit per square metre A unit of information equal to 2 to the power of 40 bits (binary digits) per square metre. |
| E88 | bit per metre A unit of information equal to 1 bit (binary digit) per metre. |
| E89 | bit per square metre A unit of information equal to 1 bit (binary digit) per square metre. |
| E90 | reciprocal centimetre |
| E91 | reciprocal day |
| E92 | cubic decimetre per hour |
| E93 | kilogram per hour |
| E94 | kilomole per second |
| E95 | mole per second |
| E96 | degree per second |
| E97 | millimetre per degree Celcius metre |
| E98 | degree Celsius per kelvin |
| E99 | hectopascal per bar |
| EA | each A unit of count defining the number of items regarded as separate units. |
| EB | electronic mail box A unit of count defining the number of electronic mail boxes. |
| EQ | equivalent gallon A unit of volume defining the number of gallons of product produced from concentrate. |
| F01 | bit per cubic metre A unit of information equal to 1 bit (binary digit) per cubic metre. |
| F02 | kelvin per kelvin |
| F03 | kilopascal per bar |
| F04 | millibar per bar |
| F05 | megapascal per bar |

Used Codes

| | |
|-----|---|
| F06 | poise per bar |
| F07 | pascal per bar |
| F08 | milliampere per inch |
| F10 | kelvin per hour |
| F11 | kelvin per minute |
| F12 | kelvin per second |
| F13 | slug A unit of mass. One slug is the mass accelerated at 1 foot per second per second by a force of 1 pound. |
| F14 | gram per kelvin |
| F15 | kilogram per kelvin |
| F16 | milligram per kelvin |
| F17 | pound-force per foot |
| F18 | kilogram square centimetre |
| F19 | kilogram square millimetre |
| F20 | pound inch squared |
| F21 | pound-force inch |
| F22 | pound-force foot per ampere |
| F23 | gram per cubic decimetre |
| F24 | kilogram per kilomole |
| F25 | gram per hertz |
| F26 | gram per day |
| F27 | gram per hour |
| F28 | gram per minute |
| F29 | gram per second |
| F30 | kilogram per day |
| F31 | kilogram per minute |
| F32 | milligram per day |
| F33 | milligram per minute |
| F34 | milligram per second |
| F35 | gram per day kelvin |
| F36 | gram per hour kelvin |
| F37 | gram per minute kelvin |
| F38 | gram per second kelvin |

Used Codes

| | |
|-----|---|
| F39 | kilogram per day kelvin |
| F40 | kilogram per hour kelvin |
| F41 | kilogram per minute kelvin |
| F42 | kilogram per second kelvin |
| F43 | milligram per day kelvin |
| F44 | milligram per hour kelvin |
| F45 | milligram per minute kelvin |
| F46 | milligram per second kelvin |
| F47 | newton per millimetre |
| F48 | pound-force per inch |
| F49 | rod [unit of distance] A unit of distance equal to 5.5 yards (16 feet 6 inches). |
| F50 | micrometre per kelvin |
| F51 | centimetre per kelvin |
| F52 | metre per kelvin |
| F53 | millimetre per kelvin |
| F54 | milliohm per metre |
| F55 | ohm per mile (statute mile) |
| F56 | ohm per kilometre |
| F57 | milliampere per pound-force per square inch |
| F58 | reciprocal bar |
| F59 | milliampere per bar |
| F60 | degree Celsius per bar |
| F61 | kelvin per bar |
| F62 | gram per day bar |
| F63 | gram per hour bar |
| F64 | gram per minute bar |
| F65 | gram per second bar |
| F66 | kilogram per day bar |
| F67 | kilogram per hour bar |
| F68 | kilogram per minute bar |
| F69 | kilogram per second bar |
| F70 | milligram per day bar |

Used Codes

| | |
|-----|--|
| F71 | milligram per hour bar |
| F72 | milligram per minute bar |
| F73 | milligram per second bar |
| F74 | gram per bar |
| F75 | milligram per bar |
| F76 | milliampere per millimetre |
| F77 | pascal second per kelvin |
| F78 | inch of water |
| F79 | inch of mercury |
| F80 | water horse power A unit of power defining the amount of power required to move a given volume of water against acceleration of gravity to a specified elevation (pressure head). |
| F81 | bar per kelvin |
| F82 | hectopascal per kelvin |
| F83 | kilopascal per kelvin |
| F84 | millibar per kelvin |
| F85 | megapascal per kelvin |
| F86 | poise per kelvin |
| F87 | volt per litre minute |
| F88 | newton centimetre |
| F89 | newton metre per degree |
| F90 | newton metre per ampere |
| F91 | bar litre per second |
| F92 | bar cubic metre per second |
| F93 | hectopascal litre per second |
| F94 | hectopascal cubic metre per second |
| F95 | millibar litre per second |
| F96 | millibar cubic metre per second |
| F97 | megapascal litre per second |
| F98 | megapascal cubic metre per second |
| F99 | pascal litre per second |
| FAH | degree Fahrenheit Refer ISO 80000-5 (Quantities and units — Part 5: Thermodynamics) |

Used Codes

| | |
|-----|---|
| FAR | farad |
| FBM | fibre metre A unit of length defining the number of metres of individual fibre. |
| FC | thousand cubic foot A unit of volume equal to one thousand cubic foot. |
| FF | hundred cubic metre A unit of volume equal to one hundred cubic metres. |
| FH | micromole |
| FIT | failures in time A unit of count defining the number of failures that can be expected over a specified time interval. Failure rates of semiconductor components are often specified as FIT (failures in time unit) where 1 FIT = 10 to the power of -9 /h. |
| FL | flake ton A unit of mass defining the number of tons of a flaked substance (flake: a small flattish fragment). |
| FNU | Formazin nephelometric unit Formazin nephelometric unit (FNU) is used for water turbidity level evaluation |
| FOT | foot |
| FP | pound per square foot |
| FR | foot per minute |
| FS | foot per second |
| FTK | square foot |
| FTQ | cubic foot |
| G01 | pascal cubic metre per second |
| G04 | centimetre per bar |
| G05 | metre per bar |
| G06 | millimetre per bar |
| G08 | square inch per second |
| G09 | square metre per second kelvin |
| G10 | stokes per kelvin |
| G11 | gram per cubic centimetre bar |
| G12 | gram per cubic decimetre bar |
| G13 | gram per litre bar |
| G14 | gram per cubic metre bar |
| G15 | gram per millilitre bar |

Used Codes

| | |
|-----|--------------------------------------|
| G16 | kilogram per cubic centimetre bar |
| G17 | kilogram per litre bar |
| G18 | kilogram per cubic metre bar |
| G19 | newton metre per kilogram |
| G2 | US gallon per minute |
| G20 | pound-force foot per pound |
| G21 | cup [unit of volume] |
| G23 | peck |
| G24 | tablespoon (US) |
| G25 | teaspoon (US) |
| G26 | stere |
| G27 | cubic centimetre per kelvin |
| G28 | litre per kelvin |
| G29 | cubic metre per kelvin |
| G3 | Imperial gallon per minute |
| G30 | millilitre per kelvin |
| G31 | kilogram per cubic centimetre |
| G32 | ounce (avoirdupois) per cubic yard |
| G33 | gram per cubic centimetre kelvin |
| G34 | gram per cubic decimetre kelvin |
| G35 | gram per litre kelvin |
| G36 | gram per cubic metre kelvin |
| G37 | gram per millilitre kelvin |
| G38 | kilogram per cubic centimetre kelvin |
| G39 | kilogram per litre kelvin |
| G40 | kilogram per cubic metre kelvin |
| G41 | square metre per second bar |
| G42 | microsiemens per centimetre |
| G43 | microsiemens per metre |
| G44 | nanosiemens per centimetre |
| G45 | nanosiemens per metre |
| G46 | stokes per bar |
| G47 | cubic centimetre per day |

Used Codes

| | |
|-----|------------------------------------|
| G48 | cubic centimetre per hour |
| G49 | cubic centimetre per minute |
| G50 | gallon (US) per hour |
| G51 | litre per second |
| G52 | cubic metre per day |
| G53 | cubic metre per minute |
| G54 | millilitre per day |
| G55 | millilitre per hour |
| G56 | cubic inch per hour |
| G57 | cubic inch per minute |
| G58 | cubic inch per second |
| G59 | milliampere per litre minute |
| G60 | volt per bar |
| G61 | cubic centimetre per day kelvin |
| G62 | cubic centimetre per hour kelvin |
| G63 | cubic centimetre per minute kelvin |
| G64 | cubic centimetre per second kelvin |
| G65 | litre per day kelvin |
| G66 | litre per hour kelvin |
| G67 | litre per minute kelvin |
| G68 | litre per second kelvin |
| G69 | cubic metre per day kelvin |
| G70 | cubic metre per hour kelvin |
| G71 | cubic metre per minute kelvin |
| G72 | cubic metre per second kelvin |
| G73 | millilitre per day kelvin |
| G74 | millilitre per hour kelvin |
| G75 | millilitre per minute kelvin |
| G76 | millilitre per second kelvin |
| G77 | millimetre to the fourth power |
| G78 | cubic centimetre per day bar |
| G79 | cubic centimetre per hour bar |
| G80 | cubic centimetre per minute bar |

Used Codes

| | |
|-----|---|
| G81 | cubic centimetre per second bar |
| G82 | litre per day bar |
| G83 | litre per hour bar |
| G84 | litre per minute bar |
| G85 | litre per second bar |
| G86 | cubic metre per day bar |
| G87 | cubic metre per hour bar |
| G88 | cubic metre per minute bar |
| G89 | cubic metre per second bar |
| G90 | millilitre per day bar |
| G91 | millilitre per hour bar |
| G92 | millilitre per minute bar |
| G93 | millilitre per second bar |
| G94 | cubic centimetre per bar |
| G95 | litre per bar |
| G96 | cubic metre per bar |
| G97 | millilitre per bar |
| G98 | microhenry per kilohm |
| G99 | microhenry per ohm |
| GB | gallon (US) per day |
| GBQ | gigabecquerel |
| GDW | gram, dry weight A unit of mass defining the number of grams of a product, disregarding the water content of the product. |
| GE | pound per gallon (US) |
| GF | gram per metre (gram per 100 centimetres) |
| GFI | gram of fissile isotope A unit of mass defining the number of grams of a fissile isotope (fissile isotope: an isotope whose nucleus is able to be split when irradiated with low energy neutrons). |
| GGR | great gross A unit of count defining the number of units in multiples of 1728 (12 x 12 x 12). |
| GIA | gill (US) |

Used Codes

| | |
|-----|---|
| GIC | gram, including container A unit of mass defining the number of grams of a product, including its container. |
| GII | gill (UK) |
| GIP | gram, including inner packaging A unit of mass defining the number of grams of a product, including its inner packaging materials. |
| GJ | gram per millilitre |
| GL | gram per litre |
| GLD | dry gallon (US) |
| GLI | gallon (UK) |
| GLL | gallon (US) |
| GM | gram per square metre |
| GO | milligram per square metre |
| GP | milligram per cubic metre |
| GQ | microgram per cubic metre |
| GRM | gram |
| GRN | grain |
| GRO | gross A unit of count defining the number of units in multiples of 144 (12 x 12). |
| GRT | gross register ton A unit of mass equal to the total cubic footage before deductions, where 1 register ton is equal to 100 cubic feet. Refer International Convention on tonnage measurement of ships. |
| GT | gross ton A unit of mass equal to 2240 pounds. Refer International Convention on Tonnage measurement of Ships. Synonym: ton (UK) or long ton (US) (common code LTN) |
| GV | gigajoule |
| GWH | gigawatt hour |
| H03 | henry per kiloohm |
| H04 | henry per ohm |
| H05 | millihenry per kiloohm |
| H06 | millihenry per ohm |
| H07 | pascal second per bar |
| H08 | microbecquerel |

Used Codes

| | |
|-----|--|
| H09 | reciprocal year |
| H10 | reciprocal hour |
| H11 | reciprocal month |
| H12 | degree Celsius per hour |
| H13 | degree Celsius per minute |
| H14 | degree Celsius per second |
| H15 | square centimetre per gram |
| H16 | square decametre Synonym: are |
| H18 | square hectometre Synonym: hectare |
| H19 | cubic hectometre |
| H20 | cubic kilometre |
| H21 | blank A unit of count defining the number of blanks. |
| H22 | volt square inch per pound-force |
| H23 | volt per inch |
| H24 | volt per microsecond |
| H25 | percent per kelvin A unit of proportion, equal to 0.01, in relation to the SI base unit Kelvin. |
| H26 | ohm per metre |
| H27 | degree per metre |
| H28 | microfarad per kilometre |
| H29 | microgram per litre |
| H30 | square micrometre (square micron) |
| H31 | ampere per kilogram |
| H32 | ampere squared second |
| H33 | farad per kilometre |
| H34 | hertz metre |
| H35 | kelvin metre per watt |
| H36 | megaohm per kilometre |
| H37 | megaohm per metre |
| H38 | megaampere |
| H39 | megahertz kilometre |

Used Codes

| | |
|-----|---|
| H40 | newton per ampere |
| H41 | newton metre watt to the power minus 0,5 |
| H42 | pascal per metre |
| H43 | siemens per centimetre |
| H44 | teraohm |
| H45 | volt second per metre |
| H46 | volt per second |
| H47 | watt per cubic metre |
| H48 | attofarad |
| H49 | centimetre per hour |
| H50 | reciprocal cubic centimetre |
| H51 | decibel per kilometre |
| H52 | decibel per metre |
| H53 | kilogram per bar |
| H54 | kilogram per cubic decimetre kelvin |
| H55 | kilogram per cubic decimetre bar |
| H56 | kilogram per square metre second |
| H57 | inch per two pi radiant |
| H58 | metre per volt second |
| H59 | square metre per newton |
| H60 | cubic metre per cubic metre |
| H61 | millisiemens per centimetre |
| H62 | millivolt per minute |
| H63 | milligram per square centimetre |
| H64 | milligram per gram |
| H65 | millilitre per cubic metre |
| H66 | millimetre per year |
| H67 | millimetre per hour |
| H68 | millimole per gram |
| H69 | picopascal per kilometre |
| H70 | picosecond |
| H71 | percent per month A unit of proportion, equal to 0.01, in relation to a month. |

Used Codes

| | |
|-----|--|
| H72 | percent per hectobar A unit of proportion, equal to 0.01, in relation to 100-fold of the unit bar. |
| H73 | percent per decakelvin A unit of proportion, equal to 0.01, in relation to 10-fold of the SI base unit Kelvin. |
| H74 | watt per metre |
| H75 | decapascal |
| H76 | gram per millimetre |
| H77 | module width A unit of measure used to describe the breadth of electronic assemblies as an installation standard or mounting dimension. |
| H78 | conventional centimetre of water |
| H79 | Charrière A unit of distance used for measuring the diameter of small tubes such as urological instruments and catheters. Synonym: French, French gauge, Charrière gauge |
| H80 | rack unit A unit of measure used to describe the height in rack units of equipment intended for mounting in a 19-inch rack or a 23-inch rack. One rack unit is 1.75 inches (44.45 mm) high. |
| H81 | millimetre per minute |
| H82 | big point A unit of length defining the number of big points (big point: Adobe software(US) defines the big point to be exactly 1/72 inch (0.013 888 9 inch or 0.352 777 8 millimeters)) |
| H83 | litre per kilogram |
| H84 | gram millimetre |
| H85 | reciprocal week |
| H87 | piece A unit of count defining the number of pieces (piece: a single item, article or exemplar). |
| H88 | megaohm kilometre |
| H89 | percent per ohm A unit of proportion, equal to 0.01, in relation to the SI derived unit ohm. |
| H90 | percent per degree A unit of proportion, equal to 0.01, in relation to an angle of one degree. |
| H91 | percent per ten thousand A unit of proportion, equal to 0.01, in relation to multiples of ten thousand. |

Used Codes

| | |
|-----|--|
| H92 | percent per one hundred thousand A unit of proportion, equal to 0.01, in relation to multiples of one hundred thousand. |
| H93 | percent per hundred A unit of proportion, equal to 0.01, in relation to multiples of one hundred. |
| H94 | percent per thousand A unit of proportion, equal to 0.01, in relation to multiples of one thousand. |
| H95 | percent per volt A unit of proportion, equal to 0.01, in relation to the SI derived unit volt. |
| H96 | percent per bar A unit of proportion, equal to 0.01, in relation to an atmospheric pressure of one bar. |
| H98 | percent per inch A unit of proportion, equal to 0.01, in relation to an inch. |
| H99 | percent per metre A unit of proportion, equal to 0.01, in relation to a metre. |
| HA | hank A unit of length, typically for yarn. |
| HAD | Piece Day Unit for measuring the item amount and time as required by DIN 18451 |
| HAR | hectare Synonym: square hectometre |
| HBA | hectobar |
| HBX | hundred boxes A unit of count defining the number of boxes in multiples of one hundred box units. |
| HC | hundred count A unit of count defining the number of units counted in multiples of 100. |
| HDW | hundred kilogram, dry weight A unit of mass defining the number of hundred kilograms of a product, disregarding the water content of the product. |
| HEA | head A unit of count defining the number of heads (head: a person or animal considered as one of a number). |
| HGM | hectogram |
| HH | hundred cubic foot A unit of volume equal to one hundred cubic foot. |

Used Codes

| | |
|-----|---|
| HIU | hundred international unit A unit of count defining the number of international units in multiples of 100. |
| HJ | metric horse power |
| HKM | hundred kilogram, net mass A unit of mass defining the number of hundred kilograms of a product, after deductions. |
| HLT | hectolitre |
| HM | mile per hour (statute mile) |
| HMO | Piece Month Unit for measuring the item amount and time as required by DIN 18451 |
| HMQ | million cubic metre A unit of volume equal to one million cubic metres. |
| HMT | hectometre |
| HN | conventional millimetre of mercury |
| HP | conventional millimetre of water |
| HPA | hectolitre of pure alcohol A unit of volume equal to one hundred litres of pure alcohol. |
| HTZ | hertz |
| HUR | hour |
| HWE | Piece Week Unit for measuring the item amount and time as required by DIN 18451 |
| IA | inch pound (pound inch) |
| IE | person A unit of count defining the number of persons. |
| INH | inch |
| INK | square inch |
| INQ | cubic inch Synonym: inch cubed |
| ISD | international sugar degree A unit of measure defining the sugar content of a solution, expressed in degrees. |
| IU | inch per second |
| IV | inch per second squared |
| J10 | percent per millimetre A unit of proportion, equal to 0.01, in relation to a millimetre. |

Used Codes

| | |
|-----|--|
| J12 | per mille per psi A unit of pressure equal to one thousandth of a psi (pound-force per square inch). |
| J13 | degree API A unit of relative density as a measure of how heavy or light a petroleum liquid is compared to water (API: American Petroleum Institute). |
| J14 | degree Baume (origin scale) A traditional unit of relative density for liquids. Named after Antoine Baumé. |
| J15 | degree Baume (US heavy) A unit of relative density for liquids heavier than water. |
| J16 | degree Baume (US light) A unit of relative density for liquids lighter than water. |
| J17 | degree Balling A unit of density as a measure of sugar content, especially of beer wort. Named after Karl Balling. |
| J18 | degree Brix A unit of proportion used in measuring the dissolved sugar-to-water mass ratio of a liquid. Named after Adolf Brix. |
| J19 | degree Fahrenheit hour square foot per British thermal unit (thermochemical) |
| J2 | joule per kilogram |
| J20 | degree Fahrenheit per kelvin |
| J21 | degree Fahrenheit per bar |
| J22 | degree Fahrenheit hour square foot per British thermal unit (international table) |
| J23 | degree Fahrenheit per hour |
| J24 | degree Fahrenheit per minute |
| J25 | degree Fahrenheit per second |
| J26 | reciprocal degree Fahrenheit |
| J27 | degree Oechsle A unit of density as a measure of sugar content of must, the unfermented liqueur from which wine is made. Named after Ferdinand Oechsle. |
| J28 | degree Rankine per hour |
| J29 | degree Rankine per minute |
| J30 | degree Rankine per second |
| J31 | degree Twaddell A unit of density for liquids that are heavier than water. 1 degree Twaddle represents a difference in specific gravity of 0.005. |
| J32 | micropoise |

Used Codes

| | |
|-----|--|
| J33 | microgram per kilogram |
| J34 | microgram per cubic metre kelvin |
| J35 | microgram per cubic metre bar |
| J36 | microlitre per litre |
| J38 | baud A unit of signal transmission speed equal to one signalling event per second. |
| J39 | British thermal unit (mean) |
| J40 | British thermal unit (international table) foot per hour square foot degree Fahrenheit |
| J41 | British thermal unit (international table) inch per hour square foot degree Fahrenheit |
| J42 | British thermal unit (international table) inch per second square foot degree Fahrenheit |
| J43 | British thermal unit (international table) per pound degree Fahrenheit |
| J44 | British thermal unit (international table) per minute |
| J45 | British thermal unit (international table) per second |
| J46 | British thermal unit (thermochemical) foot per hour square foot degree Fahrenheit |
| J47 | British thermal unit (thermochemical) per hour |
| J48 | British thermal unit (thermochemical) inch per hour square foot degree Fahrenheit |
| J49 | British thermal unit (thermochemical) inch per second square foot degree Fahrenheit |
| J50 | British thermal unit (thermochemical) per pound degree Fahrenheit |
| J51 | British thermal unit (thermochemical) per minute |
| J52 | British thermal unit (thermochemical) per second |
| J53 | coulomb square metre per kilogram |
| J54 | megabaud A unit of signal transmission speed equal to 10 to the power of 6 (1000000) signaling events per second. |
| J55 | watt second |
| J56 | bar per bar |
| J57 | barrel (UK petroleum) |
| J58 | barrel (UK petroleum) per minute |
| J59 | barrel (UK petroleum) per day |
| J60 | barrel (UK petroleum) per hour |

Used Codes

| | |
|-----|---|
| J61 | barrel (UK petroleum) per second |
| J62 | barrel (US petroleum) per hour |
| J63 | barrel (US petroleum) per second |
| J64 | bushel (UK) per day |
| J65 | bushel (UK) per hour |
| J66 | bushel (UK) per minute |
| J67 | bushel (UK) per second |
| J68 | bushel (US dry) per day |
| J69 | bushel (US dry) per hour |
| J70 | bushel (US dry) per minute |
| J71 | bushel (US dry) per second |
| J72 | centinewton metre |
| J73 | centipoise per kelvin |
| J74 | centipoise per bar |
| J75 | calorie (mean) |
| J76 | calorie (international table) per gram degree Celsius |
| J78 | calorie (thermochemical) per centimetre second degree Celsius |
| J79 | calorie (thermochemical) per gram degree Celsius |
| J81 | calorie (thermochemical) per minute |
| J82 | calorie (thermochemical) per second |
| J83 | clo |
| J84 | centimetre per second kelvin |
| J85 | centimetre per second bar |
| J87 | cubic centimetre per cubic metre |
| J89 | centimetre of mercury |
| J90 | cubic decimetre per day |
| J91 | cubic decimetre per cubic metre |
| J92 | cubic decimetre per minute |
| J93 | cubic decimetre per second |
| J94 | dyne centimetre |
| J95 | ounce (UK fluid) per day |
| J96 | ounce (UK fluid) per hour |
| J97 | ounce (UK fluid) per minute |

Used Codes

| | |
|-----|---|
| J98 | ounce (UK fluid) per second |
| J99 | ounce (US fluid) per day |
| JE | joule per kelvin |
| JK | megajoule per kilogram |
| JM | megajoule per cubic metre |
| JNT | pipeline joint A count of the number of pipeline joints. |
| JOU | joule |
| JPS | hundred metre A unit of count defining the number of 100 metre lengths. |
| JWL | number of jewels A unit of count defining the number of jewels (jewel: precious stone). |
| K1 | kilowatt demand A unit of measure defining the power load measured at predetermined intervals. |
| K10 | ounce (US fluid) per hour |
| K11 | ounce (US fluid) per minute |
| K12 | ounce (US fluid) per second |
| K13 | foot per degree Fahrenheit |
| K14 | foot per hour |
| K15 | foot pound-force per hour |
| K16 | foot pound-force per minute |
| K17 | foot per psi |
| K18 | foot per second degree Fahrenheit |
| K19 | foot per second psi |
| K2 | kilovolt ampere reactive demand A unit of measure defining the reactive power demand equal to one kilovolt ampere of reactive power. |
| K20 | reciprocal cubic foot |
| K21 | cubic foot per degree Fahrenheit |
| K22 | cubic foot per day |
| K23 | cubic foot per psi |
| K24 | foot of water |
| K25 | foot of mercury |
| K26 | gallon (UK) per day |

Used Codes

| | |
|-----|--|
| K27 | gallon (UK) per hour |
| K28 | gallon (UK) per second |
| K3 | kilovolt ampere reactive hour A unit of measure defining the accumulated reactive energy equal to one kilovolt ampere of reactive power per hour. |
| K30 | gallon (US liquid) per second |
| K31 | gram-force per square centimetre |
| K32 | gill (UK) per day |
| K33 | gill (UK) per hour |
| K34 | gill (UK) per minute |
| K35 | gill (UK) per second |
| K36 | gill (US) per day |
| K37 | gill (US) per hour |
| K38 | gill (US) per minute |
| K39 | gill (US) per second |
| K40 | standard acceleration of free fall |
| K41 | grain per gallon (US) |
| K42 | horsepower (boiler) |
| K43 | horsepower (electric) |
| K45 | inch per degree Fahrenheit |
| K46 | inch per psi |
| K47 | inch per second degree Fahrenheit |
| K48 | inch per second psi |
| K49 | reciprocal cubic inch |
| K5 | kilovolt ampere (reactive) Use kilovar (common code KVR) |
| K50 | kilobaud A unit of signal transmission speed equal to 10 to the power of 3 (1000) signaling events per second. |
| K51 | kilocalorie (mean) |
| K52 | kilocalorie (international table) per hour metre degree Celsius |
| K53 | kilocalorie (thermochemical) |
| K54 | kilocalorie (thermochemical) per minute |
| K55 | kilocalorie (thermochemical) per second |
| K58 | kilomole per hour |

Used Codes

| | |
|-----|--|
| K59 | kilomole per cubic metre kelvin |
| K6 | kilolitre |
| K60 | kilomole per cubic metre bar |
| K61 | kilomole per minute |
| K62 | litre per litre |
| K63 | reciprocal litre |
| K64 | pound (avoirdupois) per degree Fahrenheit |
| K65 | pound (avoirdupois) square foot |
| K66 | pound (avoirdupois) per day |
| K67 | pound per foot hour |
| K68 | pound per foot second |
| K69 | pound (avoirdupois) per cubic foot degree Fahrenheit |
| K70 | pound (avoirdupois) per cubic foot psi |
| K71 | pound (avoirdupois) per gallon (UK) |
| K73 | pound (avoirdupois) per hour degree Fahrenheit |
| K74 | pound (avoirdupois) per hour psi |
| K75 | pound (avoirdupois) per cubic inch degree Fahrenheit |
| K76 | pound (avoirdupois) per cubic inch psi |
| K77 | pound (avoirdupois) per psi |
| K78 | pound (avoirdupois) per minute |
| K79 | pound (avoirdupois) per minute degree Fahrenheit |
| K80 | pound (avoirdupois) per minute psi |
| K81 | pound (avoirdupois) per second |
| K82 | pound (avoirdupois) per second degree Fahrenheit |
| K83 | pound (avoirdupois) per second psi |
| K84 | pound per cubic yard |
| K85 | pound-force per square foot |
| K86 | pound-force per square inch degree Fahrenheit |
| K87 | psi cubic inch per second |
| K88 | psi litre per second |
| K89 | psi cubic metre per second |
| K90 | psi cubic yard per second |
| K91 | pound-force second per square foot |

Used Codes

| | |
|-----|--|
| K92 | pound-force second per square inch |
| K93 | reciprocal psi |
| K94 | quart (UK liquid) per day |
| K95 | quart (UK liquid) per hour |
| K96 | quart (UK liquid) per minute |
| K97 | quart (UK liquid) per second |
| K98 | quart (US liquid) per day |
| K99 | quart (US liquid) per hour |
| KA | cake A unit of count defining the number of cakes (cake: object shaped into a flat, compact mass). |
| KAT | katal A unit of catalytic activity defining the catalytic activity of enzymes and other catalysts. |
| KB | kilocharacter A unit of information equal to 10 to the power of 3 (1000) characters. |
| KBA | kilobar |
| KCC | kilogram of choline chloride A unit of mass equal to one thousand grams of choline chloride. |
| KDW | kilogram drained net weight A unit of mass defining the net number of kilograms of a product, disregarding the liquid content of the product. |
| KEL | kelvin Refer ISO 80000-5 (Quantities and units — Part 5: Thermodynamics) |
| KGM | kilogram A unit of mass equal to one thousand grams. |
| KGS | kilogram per second |
| KHY | kilogram of hydrogen peroxide A unit of mass equal to one thousand grams of hydrogen peroxide. |
| KHZ | kilohertz |
| KI | kilogram per millimetre width |
| KIC | kilogram, including container A unit of mass defining the number of kilograms of a product, including its container. |
| KIP | kilogram, including inner packaging A unit of mass defining the number of kilograms of a product, including its inner packaging materials. |

Used Codes

| | |
|-----|--|
| KJ | kilosegment A unit of information equal to 10 to the power of 3 (1000) segments. |
| KJO | kilojoule |
| KL | kilogram per metre |
| KLK | lactic dry material percentage A unit of proportion defining the percentage of dry lactic material in a product. |
| KLX | kilolux A unit of illuminance equal to one thousand lux. |
| KMA | kilogram of methylamine A unit of mass equal to one thousand grams of methylamine. |
| KMH | kilometre per hour |
| KMK | square kilometre |
| KMQ | kilogram per cubic metre A unit of weight expressed in kilograms of a substance that fills a volume of one cubic metre. |
| KMT | kilometre |
| KNI | kilogram of nitrogen A unit of mass equal to one thousand grams of nitrogen. |
| KNM | kilonewton per square metre Pressure expressed in kN/m ² . |
| KNS | kilogram named substance A unit of mass equal to one kilogram of a named substance. |
| KNT | knot |
| KO | milliequivalence caustic potash per gram of product A unit of count defining the number of milligrams of potassium hydroxide per gram of product as a measure of the concentration of potassium hydroxide in the product. |
| KPA | kilopascal |
| KPH | kilogram of potassium hydroxide (caustic potash) A unit of mass equal to one thousand grams of potassium hydroxide (caustic potash). |
| KPO | kilogram of potassium oxide A unit of mass equal to one thousand grams of potassium oxide. |
| KPP | kilogram of phosphorus pentoxide (phosphoric anhydride) A unit of mass equal to one thousand grams of phosphorus pentoxide phosphoric anhydride. |
| KR | kiloroentgen |

Used Codes

| | |
|-----|---|
| KSD | kilogram of substance 90 % dry A unit of mass equal to one thousand grams of a named substance that is 90% dry. |
| KSH | kilogram of sodium hydroxide (caustic soda) A unit of mass equal to one thousand grams of sodium hydroxide (caustic soda). |
| KT | kit A unit of count defining the number of kits (kit: tub, barrel or pail). |
| KTN | kilotonne |
| KUR | kilogram of uranium A unit of mass equal to one thousand grams of uranium. |
| KVA | kilovolt - ampere |
| KVR | kilovar |
| KVT | kilovolt |
| KW | kilogram per millimetre |
| KWH | kilowatt hour |
| KWN | Kilowatt hour per normalized cubic metre Kilowatt hour per normalized cubic metre (temperature 0°C and pressure 1013.25 millibars). |
| KWO | kilogram of tungsten trioxide A unit of mass equal to one thousand grams of tungsten trioxide. |
| KWS | Kilowatt hour per standard cubic metre Kilowatt hour per standard cubic metre (temperature 15°C and pressure 1013.25 millibars). |
| KWT | kilowatt |
| KWY | kilowatt year killowatt year |
| KX | millilitre per kilogram |
| L10 | quart (US liquid) per minute |
| L11 | quart (US liquid) per second |
| L12 | metre per second kelvin |
| L13 | metre per second bar |
| L14 | square metre hour degree Celsius per kilocalorie (international table) |
| L15 | millipascal second per kelvin |
| L16 | millipascal second per bar |
| L17 | milligram per cubic metre kelvin |

Used Codes

| | |
|-----|-------------------------------------|
| L18 | milligram per cubic metre bar |
| L19 | millilitre per litre |
| L2 | litre per minute |
| L20 | reciprocal cubic millimetre |
| L21 | cubic millimetre per cubic metre |
| L23 | mole per hour |
| L24 | mole per kilogram kelvin |
| L25 | mole per kilogram bar |
| L26 | mole per litre kelvin |
| L27 | mole per litre bar |
| L28 | mole per cubic metre kelvin |
| L29 | mole per cubic metre bar |
| L30 | mole per minute |
| L31 | milliroentgen aequivalent men |
| L32 | nanogram per kilogram |
| L33 | ounce (avoirdupois) per day |
| L34 | ounce (avoirdupois) per hour |
| L35 | ounce (avoirdupois) per minute |
| L36 | ounce (avoirdupois) per second |
| L37 | ounce (avoirdupois) per gallon (UK) |
| L38 | ounce (avoirdupois) per gallon (US) |
| L39 | ounce (avoirdupois) per cubic inch |
| L40 | ounce (avoirdupois)-force |
| L41 | ounce (avoirdupois)-force inch |
| L42 | picosiemens per metre |
| L43 | peck (UK) |
| L44 | peck (UK) per day |
| L45 | peck (UK) per hour |
| L46 | peck (UK) per minute |
| L47 | peck (UK) per second |
| L48 | peck (US dry) per day |
| L49 | peck (US dry) per hour |
| L50 | peck (US dry) per minute |

Used Codes

| | |
|-----|------------------------------|
| L51 | peck (US dry) per second |
| L52 | psi per psi |
| L53 | pint (UK) per day |
| L54 | pint (UK) per hour |
| L55 | pint (UK) per minute |
| L56 | pint (UK) per second |
| L57 | pint (US liquid) per day |
| L58 | pint (US liquid) per hour |
| L59 | pint (US liquid) per minute |
| L60 | pint (US liquid) per second |
| L63 | slug per day |
| L64 | slug per foot second |
| L65 | slug per cubic foot |
| L66 | slug per hour |
| L67 | slug per minute |
| L68 | slug per second |
| L69 | tonne per kelvin |
| L70 | tonne per bar |
| L71 | tonne per day |
| L72 | tonne per day kelvin |
| L73 | tonne per day bar |
| L74 | tonne per hour kelvin |
| L75 | tonne per hour bar |
| L76 | tonne per cubic metre kelvin |
| L77 | tonne per cubic metre bar |
| L78 | tonne per minute |
| L79 | tonne per minute kelvin |
| L80 | tonne per minute bar |
| L81 | tonne per second |
| L82 | tonne per second kelvin |
| L83 | tonne per second bar |
| L84 | ton (UK shipping) |
| L85 | ton long per day |

Used Codes

| | |
|-----|--|
| L86 | ton (US shipping) |
| L87 | ton short per degree Fahrenheit |
| L88 | ton short per day |
| L89 | ton short per hour degree Fahrenheit |
| L90 | ton short per hour psi |
| L91 | ton short per psi |
| L92 | ton (UK long) per cubic yard |
| L93 | ton (US short) per cubic yard |
| L94 | ton-force (US short) |
| L95 | common year |
| L96 | sidereal year |
| L98 | yard per degree Fahrenheit |
| L99 | yard per psi |
| LA | pound per cubic inch |
| LAC | lactose excess percentage A unit of proportion defining the percentage of lactose in a product that exceeds a defined percentage level. |
| LBR | pound |
| LBT | troy pound (US) |
| LD | litre per day |
| LEF | leaf A unit of count defining the number of leaves. |
| LF | linear foot A unit of count defining the number of feet (12-inch) in length of a uniform width object. |
| LH | labour hour A unit of time defining the number of labour hours. |
| LK | link A unit of distance equal to 0.01 chain. |
| LM | linear metre A unit of count defining the number of metres in length of a uniform width object. |
| LN | length A unit of distance defining the linear extent of an item measured from end to end. |

Used Codes

| | |
|-----|---|
| LO | lot [unit of procurement] A unit of count defining the number of lots (lot: a collection of associated items). |
| LP | liquid pound A unit of mass defining the number of pounds of a liquid substance. |
| LPA | litre of pure alcohol A unit of volume equal to one litre of pure alcohol. |
| LR | layer A unit of count defining the number of layers. |
| LS | lump sum A unit of count defining the number of whole or a complete monetary amounts. |
| LTN | ton (UK) or long ton (US) Synonym: gross ton (2240 lb) |
| LTR | litre |
| LUB | metric ton, lubricating oil A unit of mass defining the number of metric tons of lubricating oil. |
| LUM | lumen |
| LUX | lux |
| LY | linear yard A unit of count defining the number of 36-inch units in length of a uniform width object. |
| M1 | milligram per litre |
| M10 | reciprocal cubic yard |
| M11 | cubic yard per degree Fahrenheit |
| M12 | cubic yard per day |
| M13 | cubic yard per hour |
| M14 | cubic yard per psi |
| M15 | cubic yard per minute |
| M16 | cubic yard per second |
| M17 | kilohertz metre |
| M18 | gigahertz metre |
| M19 | Beaufort An empirical measure for describing wind speed based mainly on observed sea conditions. The Beaufort scale indicates the wind speed by numbers that typically range from 0 for calm, to 12 for hurricane. |
| M20 | reciprocal megakelvin or megakelvin to the power minus one |

Used Codes

| | |
|-----|---|
| M21 | reciprocal kilovolt - ampere reciprocal hour |
| M22 | millilitre per square centimetre minute |
| M23 | newton per centimetre |
| M24 | ohm kilometre |
| M25 | percent per degree Celsius A unit of proportion, equal to 0.01, in relation to a temperature of one degree. |
| M26 | gigaohm per metre |
| M27 | megahertz metre |
| M29 | kilogram per kilogram |
| M30 | reciprocal volt - ampere reciprocal second |
| M31 | kilogram per kilometre |
| M32 | pascal second per litre |
| M33 | millimole per litre |
| M34 | newton metre per square metre |
| M35 | millivolt - ampere |
| M36 | 30-day month A unit of count defining the number of months expressed in multiples of 30 days, one day equals 24 hours. |
| M37 | actual/360 A unit of count defining the number of years expressed in multiples of 360 days, one day equals 24 hours. |
| M38 | kilometre per second squared 1000-fold of the SI base unit metre divided by the power of the SI base unit second by exponent 2. |
| M39 | centimetre per second squared 0,01-fold of the SI base unit metre divided by the power of the SI base unit second by exponent 2. |
| M4 | monetary value A unit of measure expressed as a monetary amount. |
| M40 | yard per second squared Unit of the length according to the Anglo-American and Imperial system of units divided by the power of the SI base unit second by exponent 2. |
| M41 | millimetre per second squared 0,001-fold of the SI base unit metre divided by the power of the SI base unit second by exponent 2. |
| M42 | mile (statute mile) per second squared Unit of the length according to the Imperial system of units divided by the power of the SI base unit second by exponent 2. |

Used Codes

| | |
|-----|---|
| M43 | mil Unit to indicate an angle at military zone, equal to the 6400th part of the full circle of the 360° or 2·p·rad. |
| M44 | revolution Unit to identify an angle of the full circle of 360° or 2·p·rad (Refer ISO/TC12 SI Guide). |
| M45 | degree [unit of angle] per second squared 360 part of a full circle divided by the power of the SI base unit second and the exponent 2. |
| M46 | revolution per minute Unit of the angular velocity. |
| M47 | circular mil Unit of an area, of which the size is given by a diameter of length of 1 mm (0,001 in) based on the formula: area = p·(diameter/2) ² . |
| M48 | square mile (based on U.S. survey foot) Unit of the area, which is mainly common in the agriculture and forestry. |
| M49 | chain (based on U.S. survey foot) Unit of the length according the Anglo-American system of units. |
| M5 | microcurie |
| M50 | furlong Unit commonly used in Great Britain at rural distances: 1 furlong = 40 rods = 10 chains (UK) = 1/8 mile = 1/10 furlong = 220 yards = 660 foot. |
| M51 | foot (U.S. survey) Unit commonly used in the United States for ordnance survey. |
| M52 | mile (based on U.S. survey foot) Unit commonly used in the United States for ordnance survey. |
| M53 | metre per pascal SI base unit metre divided by the derived SI unit pascal. |
| M55 | metre per radiant Unit of the translation factor for implementation from rotation to linear movement. |
| M56 | shake Unit for a very short period. |
| M57 | mile per minute Unit of velocity from the Imperial system of units. |
| M58 | mile per second Unit of the velocity from the Imperial system of units. |

Used Codes

| | |
|-----|---|
| M59 | metre per second pascal SI base unit meter divided by the product of SI base unit second and the derived SI unit pascal. |
| M60 | metre per hour SI base unit metre divided by the unit hour. |
| M61 | inch per year Unit of the length according to the Anglo-American and Imperial system of units divided by the unit common year with 365 days. |
| M62 | kilometre per second 1000-fold of the SI base unit metre divided by the SI base unit second. |
| M63 | inch per minute Unit inch according to the Anglo-American and Imperial system of units divided by the unit minute. |
| M64 | yard per second Unit yard according to the Anglo-American and Imperial system of units divided by the SI base unit second. |
| M65 | yard per minute Unit yard according to the Anglo-American and Imperial system of units divided by the unit minute. |
| M66 | yard per hour Unit yard according to the Anglo-American and Imperial system of units divided by the unit hour. |
| M67 | acre-foot (based on U.S. survey foot) Unit of the volume, which is used in the United States to measure/gauge the capacity of reservoirs. |
| M68 | cord (128 ft ³) Traditional unit of the volume of stacked firewood which has been measured with a cord. |
| M69 | cubic mile (UK statute) Unit of volume according to the Imperial system of units. |
| M7 | micro-inch |
| M70 | ton, register Traditional unit of the cargo capacity. |
| M71 | cubic metre per pascal Power of the SI base unit meter by exponent 3 divided by the derived SI base unit pascal. |
| M72 | bel Logarithmic relationship to base 10. |

Used Codes

| | |
|-----|---|
| M73 | kilogram per cubic metre pascal SI base unit kilogram divided by the product of the power of the SI base unit metre with exponent 3 and the derived SI unit pascal. |
| M74 | kilogram per pascal SI base unit kilogram divided by the derived SI unit pascal. |
| M75 | kilopound-force 1000-fold of the unit of the force pound-force (lbf) according to the Anglo-American system of units with the relationship. |
| M76 | poundal Non SI-conforming unit of the power, which corresponds to a mass of a pound multiplied with the acceleration of a foot per square second. |
| M77 | kilogram metre per second squared Product of the SI base unit kilogram and the SI base unit metre divided by the power of the SI base unit second by exponent 2. |
| M78 | pond 0,001-fold of the unit of the weight, defined as a mass of 1 kg which finds out about a weight strength from 1 kp by the gravitational force at sea level which corresponds to a strength of 9,806 65 newton. |
| M79 | square foot per hour Power of the unit foot according to the Anglo-American and Imperial system of units by exponent 2 divided by the unit of time hour. |
| M80 | stokes per pascal CGS (Centimetre-Gram-Second system) unit stokes divided by the derived SI unit pascal. |
| M81 | square centimetre per second 0,000 1-fold of the power of the SI base unit metre by exponent 2 divided by the SI base unit second. |
| M82 | square metre per second pascal Power of the SI base unit metre with the exponent 2 divided by the SI base unit second and the derived SI unit pascal. |
| M83 | denier Traditional unit for the indication of the linear mass of textile fibers and yarns. |
| M84 | pound per yard Unit for linear mass according to avoirdupois system of units. |
| M85 | ton, assay Non SI-conforming unit of the mass used in the mineralogy to determine the concentration of precious metals in ore according to the mass of the precious metal in milligrams in a sample of the mass of an assay sound (number of troy ounces in a short ton (1 000 lb)). |
| M86 | pfund Outdated unit of the mass used in Germany. |

Used Codes

| | |
|-----|---|
| M87 | kilogram per second pascal SI base unit kilogram divided by the product of the SI base unit second and the derived SI unit pascal. |
| M88 | tonne per month Unit tonne divided by the unit month. |
| M89 | tonne per year Unit tonne divided by the unit year with 365 days. |
| M9 | million Btu per 1000 cubic foot |
| M90 | kilopound per hour 1000-fold of the unit of the mass avoirdupois pound according to the avoirdupois unit system divided by the unit hour. |
| M91 | pound per pound Proportion of the mass consisting of the avoirdupois pound according to the avoirdupois unit system divided by the avoirdupois pound according to the avoirdupois unit system. |
| M92 | pound-force foot Product of the unit pound-force according to the Anglo-American system of units and the unit foot according to the Anglo-American and the Imperial system of units. |
| M93 | newton metre per radian Product of the derived SI unit newton and the SI base unit metre divided by the unit radian. |
| M94 | kilogram metre Unit of imbalance as a product of the SI base unit kilogram and the SI base unit metre. |
| M95 | poundal foot Product of the non SI-conforming unit of the force poundal and the unit foot according to the Anglo-American and Imperial system of units . |
| M96 | poundal inch Product of the non SI-conforming unit of the force poundal and the unit inch according to the Anglo-American and Imperial system of units . |
| M97 | dyne metre CGS (Centimetre-Gram-Second system) unit of the rotational moment. |
| M98 | kilogram centimetre per second Product of the SI base unit kilogram and the 0,01-fold of the SI base unit metre divided by the SI base unit second. |
| M99 | gram centimetre per second Product of the 0,001-fold of the SI base unit kilogram and the 0,01-fold of the SI base unit metre divided by the SI base unit second. |

Used Codes

| | |
|-----|---|
| MAH | megavolt ampere reactive hour A unit of electrical reactive power defining the total amount of reactive power across a power system. |
| MAL | megalitre |
| MAM | megametre |
| MAR | megavar A unit of electrical reactive power represented by a current of one thousand amperes flowing due a potential difference of one thousand volts where the sine of the phase angle between them is 1. |
| MAW | megawatt A unit of power defining the rate of energy transferred or consumed when a current of 1000 amperes flows due to a potential of 1000 volts at unity power factor. |
| MBE | thousand standard brick equivalent A unit of count defining the number of one thousand brick equivalent units. |
| MBF | thousand board foot A unit of volume equal to one thousand board foot. |
| MBR | millibar |
| MC | microgram |
| MCU | millicurie |
| MD | air dry metric ton A unit of count defining the number of metric tons of a product, disregarding the water content of the product. |
| MGM | milligram |
| MHZ | megahertz |
| MIK | square mile (statute mile) |
| MIL | thousand |
| MIN | minute [unit of time] |
| MIO | million |
| MIU | million international unit A unit of count defining the number of international units in multiples of 10 to the power of 6. |
| MKD | Square Metre Day Unit for measuring physical dimensions and time as required by DIN 18451 |
| MKM | Square Metre Month Unit for measuring physical dimensions and time as required by DIN 18451 |
| MKW | Square Metre Week Unit for measuring physical dimensions and time as required by DIN 18451 |

Used Codes

| | |
|-----|---|
| MLD | milliard Synonym: billion (US) |
| MLT | millilitre |
| MMK | square millimetre |
| MMQ | cubic millimetre |
| MMT | millimetre |
| MND | kilogram, dry weight A unit of mass defining the number of kilograms of a product, disregarding the water content of the product. |
| MNJ | Mega Joule per Normalised cubic Metre Energy in Mega Joules per normalised cubic metre for gas (temperature 0°C and pressure 101325 millibars) |
| MON | month Unit of time equal to 1/12 of a year of 365,25 days. |
| MPA | megapascal |
| MQD | Cubic Metre Day Unit for measuring physical dimensions and time as required by DIN 18451 |
| MQH | cubic metre per hour |
| MQM | Cubic Metre Month Unit for measuring physical dimensions and time as required by DIN 18451 |
| MQS | cubic metre per second |
| MQW | Cubic Metre Week Unit for measuring physical dimensions and time as required by DIN 18451 |
| MRD | Metre Day Unit for measuring physical dimensions and time as required by DIN 18451 |
| MRM | Metre Month Unit for measuring physical dimensions and time as required by DIN 18451 |
| MRW | Metre Week Unit for measuring physical dimensions and time, as required by DIN 18451 |
| MSK | metre per second squared |
| MTK | square metre |
| MTQ | cubic metre Synonym: metre cubed |
| MTR | metre |
| MTS | metre per second |

Used Codes

| | |
|-----|--|
| MTZ | milihertz A unit of frequency equal to 0.001 cycle per second |
| MVA | megavolt - ampere |
| MWH | megawatt hour (1000 kW.h) A unit of power defining the total amount of bulk energy transferred or consumed. |
| N1 | pen calorie A unit of count defining the number of calories prescribed daily for parenteral/ enteral therapy. |
| N10 | pound foot per second Product of the avoirdupois pound according to the avoirdupois unit system and the unit foot according to the Anglo-American and Imperial system of units divided by the SI base unit second. |
| N11 | pound inch per second Product of the avoirdupois pound according to the avoirdupois unit system and the unit inch according to the Anglo-American and Imperial system of units divided by the SI base unit second. |
| N12 | Pferdestaerke Obsolete unit of the power relating to DIN 1301-3:1979: 1 PS = 735,498 75 W. |
| N13 | centimetre of mercury (0 °C) Non SI-conforming unit of pressure, at which a value of 1 cmHg meets the static pressure, which is generated by a mercury at a temperature of 0 °C with a height of 1 centimetre . |
| N14 | centimetre of water (4 °C) Non SI-conforming unit of pressure, at which a value of 1 cmH ₂ O meets the static pressure, which is generated by a head of water at a temperature of 4 °C with a height of 1 centimetre . |
| N15 | foot of water (39.2 °F) Non SI-conforming unit of pressure according to the Anglo-American and Imperial system for units, whereas the value of 1 ftH ₂ O is equivalent to the static pressure, which is generated by a head of water at a temperature 39,2°F with a height of 1 foot . |
| N16 | inch of mercury (32 °F) Non SI-conforming unit of pressure according to the Anglo-American and Imperial system for units, whereas the value of 1 inHg meets the static pressure, which is generated by a mercury at a temperature of 32°F with a height of 1 inch. |
| N17 | inch of mercury (60 °F) Non SI-conforming unit of pressure according to the Anglo-American and Imperial system for units, whereas the value of 1 inHg meets the static pressure, which is generated by a mercury at a temperature of 60°F with a height of 1 inch. |

Used Codes

| | |
|-----|---|
| N18 | <p>inch of water (39.2 °F)</p> <p>Non SI-conforming unit of pressure according to the Anglo-American and Imperial system for units, whereas the value of 1 inH₂O meets the static pressure, which is generated by a head of water at a temperature of 39,2°F with a height of 1 inch .</p> |
| N19 | <p>inch of water (60 °F)</p> <p>Non SI-conforming unit of pressure according to the Anglo-American and Imperial system for units, whereas the value of 1 inH₂O meets the static pressure, which is generated by a head of water at a temperature of 60°F with a height of 1 inch .</p> |
| N20 | <p>kip per square inch</p> <p>Non SI-conforming unit of the pressure according to the Anglo-American system of units as the 1000-fold of the unit of the force pound-force divided by the power of the unit inch by exponent 2.</p> |
| N21 | <p>poundal per square foot</p> <p>Non SI-conforming unit of pressure by the Imperial system of units according to NIST: 1 pdl/ft² = 1,488 164 Pa.</p> |
| N22 | <p>ounce (avoirdupois) per square inch</p> <p>Unit of the surface specific mass (avoirdupois ounce according to the avoirdupois system of units according to the surface square inch according to the Anglo-American and Imperial system of units).</p> |
| N23 | <p>conventional metre of water</p> <p>Not SI-conforming unit of pressure, whereas a value of 1 mH₂O is equivalent to the static pressure, which is produced by one metre high water column .</p> |
| N24 | <p>gram per square millimetre</p> <p>0,001-fold of the SI base unit kilogram divided by the 0.000 001-fold of the power of the SI base unit meter by exponent 2.</p> |
| N25 | <p>pound per square yard</p> <p>Unit for areal-related mass as a unit pound according to the avoirdupois unit system divided by the power of the unit yard according to the Anglo-American and Imperial system of units with exponent 2.</p> |
| N26 | <p>poundal per square inch</p> <p>Non SI-conforming unit of the pressure according to the Imperial system of units (poundal by square inch).</p> |
| N27 | <p>foot to the fourth power</p> <p>Power of the unit foot according to the Anglo-American and Imperial system of units by exponent 4 according to NIST: 1 ft⁴ = 8,630 975 m⁴.</p> |
| N28 | <p>cubic decimetre per kilogram</p> <p>0,001 fold of the power of the SI base unit meter by exponent 3 divided by the SI based unit kilogram.</p> |

Used Codes

| | |
|-----|---|
| N29 | cubic foot per pound Power of the unit foot according to the Anglo-American and Imperial system of units by exponent 3 divided by the unit avoirdupois pound according to the avoirdupois unit system. |
| N3 | print point |
| N30 | cubic inch per pound Power of the unit inch according to the Anglo-American and Imperial system of units by exponent 3 divided by the avoirdupois pound according to the avoirdupois unit system . |
| N31 | kilonewton per metre 1000-fold of the derived SI unit newton divided by the SI base unit metre. |
| N32 | poundal per inch Non SI-conforming unit of the surface tension according to the Imperial unit system as quotient poundal by inch. |
| N33 | pound-force per yard Unit of force per unit length based on the Anglo-American system of units. |
| N34 | poundal second per square foot Non SI-conforming unit of viscosity. |
| N35 | poise per pascal CGS (Centimetre-Gram-Second system) unit poise divided by the derived SI unit pascal. |
| N36 | newton second per square metre Unit of the dynamic viscosity as a product of unit of the pressure (newton by square metre) multiplied with the SI base unit second. |
| N37 | kilogram per metre second Unit of the dynamic viscosity as a quotient SI base unit kilogram divided by the SI base unit metre and by the SI base unit second. |
| N38 | kilogram per metre minute Unit of the dynamic viscosity as a quotient SI base unit kilogram divided by the SI base unit metre and by the unit minute. |
| N39 | kilogram per metre day Unit of the dynamic viscosity as a quotient SI base unit kilogram divided by the SI base unit metre and by the unit day. |
| N40 | kilogram per metre hour Unit of the dynamic viscosity as a quotient SI base unit kilogram divided by the SI base unit metre and by the unit hour. |
| N41 | gram per centimetre second Unit of the dynamic viscosity as a quotient of the 0,001-fold of the SI base unit kilogram divided by the 0,01-fold of the SI base unit metre and SI base unit second. |

Used Codes

| | |
|-----|---|
| N42 | poundal second per square inch Non SI-conforming unit of dynamic viscosity according to the Imperial system of units as product unit of the pressure (poundal by square inch) multiplied by the SI base unit second. |
| N43 | pound per foot minute Unit of the dynamic viscosity according to the Anglo-American unit system. |
| N44 | pound per foot day Unit of the dynamic viscosity according to the Anglo-American unit system. |
| N45 | cubic metre per second pascal Power of the SI base unit meter by exponent 3 divided by the product of the SI base unit second and the derived SI base unit pascal. |
| N46 | foot poundal Unit of the work (force-path). |
| N47 | inch poundal Unit of work (force multiplied by path) according to the Imperial system of units as a product unit inch multiplied by poundal. |
| N48 | watt per square centimetre Derived SI unit watt divided by the power of the 0,01-fold the SI base unit metre by exponent 2. |
| N49 | watt per square inch Derived SI unit watt divided by the power of the unit inch according to the Anglo-American and Imperial system of units by exponent 2. |
| N50 | British thermal unit (international table) per square foot hour Unit of the surface heat flux according to the Imperial system of units. |
| N51 | British thermal unit (thermochemical) per square foot hour Unit of the surface heat flux according to the Imperial system of units. |
| N52 | British thermal unit (thermochemical) per square foot minute Unit of the surface heat flux according to the Imperial system of units. |
| N53 | British thermal unit (international table) per square foot second Unit of the surface heat flux according to the Imperial system of units. |
| N54 | British thermal unit (thermochemical) per square foot second Unit of the surface heat flux according to the Imperial system of units. |
| N55 | British thermal unit (international table) per square inch second Unit of the surface heat flux according to the Imperial system of units. |
| N56 | calorie (thermochemical) per square centimetre minute Unit of the surface heat flux according to the Imperial system of units. |
| N57 | calorie (thermochemical) per square centimetre second Unit of the surface heat flux according to the Imperial system of units. |

Used Codes

| | |
|-----|---|
| N58 | British thermal unit (international table) per cubic foot Unit of the energy density according to the Imperial system of units. |
| N59 | British thermal unit (thermochemical) per cubic foot Unit of the energy density according to the Imperial system of units. |
| N60 | British thermal unit (international table) per degree Fahrenheit Unit of the heat capacity according to the Imperial system of units. |
| N61 | British thermal unit (thermochemical) per degree Fahrenheit Unit of the heat capacity according to the Imperial system of units. |
| N62 | British thermal unit (international table) per degree Rankine Unit of the heat capacity according to the Imperial system of units. |
| N63 | British thermal unit (thermochemical) per degree Rankine Unit of the heat capacity according to the Imperial system of units. |
| N64 | British thermal unit (thermochemical) per pound degree Rankine Unit of the heat capacity (British thermal unit according to the international table according to the Rankine degree) according to the Imperial system of units divided by the unit avoirdupois pound according to the avoirdupois system of units. |
| N65 | kilocalorie (international table) per gram kelvin Unit of the mass-related heat capacity as quotient 1000-fold of the calorie (international table) divided by the product of the 0,001-fold of the SI base units kilogram and kelvin. |
| N66 | British thermal unit (39 °F) Unit of heat energy according to the Imperial system of units in a reference temperature of 39 °F. |
| N67 | British thermal unit (59 °F) Unit of heat energy according to the Imperial system of units in a reference temperature of 59 °F. |
| N68 | British thermal unit (60 °F) Unit of head energy according to the Imperial system of units at a reference temperature of 60 °F. |
| N69 | calorie (20 °C) Unit for quantity of heat, which is to be required for 1 g air free water at a constant pressure from 101,325 kPa, to warm up the pressure of standard atmosphere at sea level, from 19,5 °C on 20,5 °C. |
| N70 | quad (1015 BtuIT) Unit of heat energy according to the imperial system of units. |
| N71 | therm (EC) Unit of heat energy in commercial use, within the EU defined: 1 thm (EC) = 100 000 BtuIT. |

Used Codes

| | |
|-----|---|
| N72 | therm (U.S.) Unit of heat energy in commercial use. |
| N73 | British thermal unit (thermochemical) per pound Unit of the heat energy according to the Imperial system of units divided the unit avoirdupois pound according to the avoirdupois system of units. |
| N74 | British thermal unit (international table) per hour square foot degree Fahrenheit Unit of the heat transition coefficient according to the Imperial system of units. |
| N75 | British thermal unit (thermochemical) per hour square foot degree Fahrenheit Unit of the heat transition coefficient according to the imperial system of units. |
| N76 | British thermal unit (international table) per second square foot degree Fahrenheit Unit of the heat transition coefficient according to the imperial system of units. |
| N77 | British thermal unit (thermochemical) per second square foot degree Fahrenheit Unit of the heat transition coefficient according to the imperial system of units. |
| N78 | kilowatt per square metre kelvin 1000-fold of the derived SI unit watt divided by the product of the power of the SI base unit metre by exponent 2 and the SI base unit kelvin. |
| N79 | kelvin per pascal SI base unit kelvin divided by the derived SI unit pascal. |
| N80 | watt per metre degree Celsius Derived SI unit watt divided by the product of the SI base unit metre and the unit for temperature degree Celsius. |
| N81 | kilowatt per metre kelvin 1000-fold of the derived SI unit watt divided by the product of the SI base unit metre and the SI base unit kelvin. |
| N82 | kilowatt per metre degree Celsius 1000-fold of the derived SI unit watt divided by the product of the SI base unit metre and the unit for temperature degree Celsius. |
| N83 | metre per degree Celcius metre SI base unit metre divided by the product of the unit degree Celsius and the SI base unit metre. |
| N84 | degree Fahrenheit hour per British thermal unit (international table) Non SI-conforming unit of the thermal resistance according to the Imperial system of units. |
| N85 | degree Fahrenheit hour per British thermal unit (thermochemical) Non SI-conforming unit of the thermal resistance according to the Imperial system of units. |

Used Codes

| | |
|-----|--|
| N86 | degree Fahrenheit second per British thermal unit (international table) Non SI-conforming unit of the thermal resistance according to the Imperial system of units. |
| N87 | degree Fahrenheit second per British thermal unit (thermochemical) Non SI-conforming unit of the thermal resistance according to the Imperial system of units. |
| N88 | degree Fahrenheit hour square foot per British thermal unit (international table) inch Unit of specific thermal resistance according to the Imperial system of units. |
| N89 | degree Fahrenheit hour square foot per British thermal unit (thermochemical) inch Unit of specific thermal resistance according to the Imperial system of units. |
| N90 | kilofarad 1000-fold of the derived SI unit farad. |
| N91 | reciprocal joule Reciprocal of the derived SI unit joule. |
| N92 | picosiemens 0,000 000 000 001-fold of the derived SI unit siemens. |
| N93 | ampere per pascal SI base unit ampere divided by the derived SI unit pascal. |
| N94 | franklin CGS (Centimetre-Gram-Second system) unit of the electrical charge, where the charge amounts to exactly 1 Fr where the force of 1 dyn on an equal load is performed at a distance of 1 cm. |
| N95 | ampere minute A unit of electric charge defining the amount of charge accumulated by a steady flow of one ampere for one minute.. |
| N96 | biot CGS (Centimetre-Gram-Second system) unit of the electric power which is defined by a force of 2 dyn per cm between two parallel conductors of infinite length with negligible cross-section in the distance of 1 cm. |
| N97 | gilbert CGS (Centimetre-Gram-Second system) unit of the magnetomotive force, which is defined by the work to increase the magnetic potential of a positive common pol with 1 erg. |
| N98 | volt per pascal Derived SI unit volt divided by the derived SI unit pascal. |
| N99 | picovolt 0,000 000 000 001-fold of the derived SI unit volt. |
| NA | milligram per kilogram |

Used Codes

| | |
|-----|--|
| NAR | number of articles A unit of count defining the number of articles (article: item). |
| NCL | number of cells A unit of count defining the number of cells (cell: an enclosed or circumscribed space, cavity, or volume). |
| NEW | newton |
| NF | message A unit of count defining the number of messages. |
| NIL | nil A unit of count defining the number of instances of nothing. |
| NIU | number of international units A unit of count defining the number of international units. |
| NL | load A unit of volume defining the number of loads (load: a quantity of items carried or processed at one time). |
| NM3 | Normalised cubic metre Normalised cubic metre (temperature 0°C and pressure 1013.25 millibars) |
| NMI | nautical mile |
| NMP | number of packs A unit of count defining the number of packs (pack: a collection of objects packaged together). |
| NPR | number of pairs A unit of count defining the number of pairs (pair: item described by two's). |
| NPT | number of parts A unit of count defining the number of parts (part: component of a larger entity). |
| NQ | mho |
| NR | micromho |
| NT | net ton A unit of mass equal to 2000 pounds, see ton (US). Refer International Convention on tonnage measurement of Ships. |
| NTT | net register ton A unit of mass equal to the total cubic footage after deductions, where 1 register ton is equal to 100 cubic feet. Refer International Convention on tonnage measurement of Ships. |
| NTU | Nephelometric turbidity unit Nephelometric turbidity unit (NTU) is used for water turbidity level evaluation |
| NU | newton metre |

Used Codes

| | |
|-----|--|
| NX | part per thousand A unit of proportion equal to 10 to the power of -3. Synonym: per mille |
| OA | panel A unit of count defining the number of panels (panel: a distinct, usually rectangular, section of a surface). |
| ODE | ozone depletion equivalent A unit of mass defining the ozone depletion potential in kilograms of a product relative to the calculated depletion for the reference substance, Trichlorofluoromethane (CFC-11). |
| ODG | ODS Grams A unit of measure calculated by multiplying the mass of the substance in grams and the ozone-depleting potential for the substance. |
| ODK | ODS Kilograms A unit of measure calculated by multiplying the mass of the substance in kilograms and the ozone-depleting potential for the substance. |
| ODM | ODS Milligrams A unit of measure calculated by multiplying the mass of the substance in milligrams and the ozone-depleting potential for the substance. |
| OHM | ohm |
| ON | ounce per square yard |
| ONZ | ounce (avoirdupois) |
| OPM | oscillations per minute The number of oscillations per minute. |
| OT | overtime hour A unit of time defining the number of overtime hours. |
| OZ | ounce av A unit of measure equal to 1/16 of a pound or about 28.3495 grams (av = avoirdupois). Use ounce (common code ONZ). |
| OZA | fluid ounce (US) |
| OZI | fluid ounce (UK) |
| P1 | percent A unit of proportion equal to 0.01. |
| P10 | coulomb per metre Derived SI unit coulomb divided by the SI base unit metre. |
| P11 | kiloweber 1000 fold of the derived SI unit weber. |
| P12 | gamma Unit of magnetic flow density. |

Used Codes

| | |
|-----|---|
| P13 | kilotesla 1000-fold of the derived SI unit tesla. |
| P14 | joule per second Quotient of the derived SI unit joule divided by the SI base unit second. |
| P15 | joule per minute Quotient from the derived SI unit joule divided by the unit minute. |
| P16 | joule per hour Quotient from the derived SI unit joule divided by the unit hour. |
| P17 | joule per day Quotient from the derived SI unit joule divided by the unit day. |
| P18 | kilojoule per second Quotient from the 1000-fold of the derived SI unit joule divided by the SI base unit second. |
| P19 | kilojoule per minute Quotient from the 1000-fold of the derived SI unit joule divided by the unit minute. |
| P2 | pound per foot |
| P20 | kilojoule per hour Quotient from the 1000-fold of the derived SI unit joule divided by the unit hour. |
| P21 | kilojoule per day Quotient from the 1000-fold of the derived SI unit joule divided by the unit day. |
| P22 | nanoohm 0,000 000 001-fold of the derived SI unit ohm. |
| P23 | ohm circular-mil per foot Unit of resistivity. |
| P24 | kilohenry 1000-fold of the derived SI unit henry. |
| P25 | lumen per square foot Derived SI unit lumen divided by the power of the unit foot according to the Anglo-American and Imperial system of units by exponent 2. |
| P26 | phot CGS (Centimetre-Gram-Second system) unit of luminance, defined as lumen by square centimetre. |
| P27 | footcandle Non SI conform traditional unit, defined as density of light which impinges on a surface which has a distance of one foot from a light source, which shines with an intensity of an international candle. |

Used Codes

| | |
|-----|---|
| P28 | candela per square inch SI base unit candela divided by the power of unit inch according to the Anglo-American and Imperial system of units by exponent 2. |
| P29 | footlambert Unit of the luminance according to the Anglo-American system of units, defined as emitted or reflected luminance of a lm/ft^2 . |
| P30 | lambert CGS (Centimetre-Gram-Second system) unit of luminance, defined as the emitted or reflected luminance by one lumen per square centimetre. |
| P31 | stilb CGS (Centimetre-Gram-Second system) unit of luminance, defined as emitted or reflected luminance by one lumen per square centimetre. |
| P32 | candela per square foot Base unit SI candela divided by the power of the unit foot according to the Anglo-American and Imperial system of units by exponent 2. |
| P33 | kilocandela 1000-fold of the SI base unit candela. |
| P34 | millicandela 0,001-fold of the SI base unit candela. |
| P35 | Hefner-Kerze Obsolete, non-legal unit of the power in Germany relating to DIN 1301-3: 1979: 1 HK = 0,903 cd. |
| P36 | international candle Obsolete, non-legal unit of the power in Germany relating to DIN 1301-3: 1979: 1 HK = 1,019 cd. |
| P37 | British thermal unit (international table) per square foot Unit of the areal-related energy transmission according to the Imperial system of units. |
| P38 | British thermal unit (thermochemical) per square foot Unit of the areal-related energy transmission according to the Imperial system of units. |
| P39 | calorie (thermochemical) per square centimetre Unit of the areal-related energy transmission according to the Imperial system of units. |
| P40 | langley CGS (Centimetre-Gram-Second system) unit of the areal-related energy transmission (as a measure of the incident quantity of heat of solar radiation on the earth's surface). |
| P41 | decade (logarithmic) 1 Dec := $\log_2 10 \sim 3,32$ according to the logarithm for frequency range between f_1 and f_2 , when $f_2/f_1 = 10$. |

Used Codes

| | |
|-----|---|
| P42 | pascal squared second Unit of the set as a product of the power of derived SI unit pascal with exponent 2 and the SI base unit second. |
| P43 | bel per metre Unit bel divided by the SI base unit metre. |
| P44 | pound mole Non SI-conforming unit of quantity of a substance relating that one pound mole of a chemical composition corresponds to the same number of pounds as the molecular weight of one molecule of this composition in atomic mass units. |
| P45 | pound mole per second Non SI-conforming unit of the power of the amount of substance non-SI compliant unit of the molar flux relating that a pound mole of a chemical composition the same number of pound corresponds like the molecular weight of a molecule of this composition in atomic mass units. |
| P46 | pound mole per minute Non SI-conforming unit of the power of the amount of substance non-SI compliant unit of the molar flux relating that a pound mole of a chemical composition the same number of pound corresponds like the molecular weight of a molecule of this composition in atomic mass units. |
| P47 | kilomole per kilogram 1000-fold of the SI base unit mol divided by the SI base unit kilogram. |
| P48 | pound mole per pound Non SI-conforming unit of the material molar flux divided by the avoirdupois pound for mass according to the avoirdupois unit system. |
| P49 | newton square metre per ampere Product of the derived SI unit newton and the power of SI base unit metre with exponent 2 divided by the SI base unit ampere. |
| P5 | five pack A unit of count defining the number of five-packs (five-pack: set of five items packaged together). |
| P50 | weber metre Product of the derived SI unit weber and SI base unit metre. |
| P51 | mol per kilogram pascal SI base unit mol divided by the product of the SI base unit kilogram and the derived SI unit pascal. |
| P52 | mol per cubic metre pascal SI base unit mol divided by the product of the power from the SI base unit metre with exponent 3 and the derived SI unit pascal. |
| P53 | unit pole CGS (Centimetre-Gram-Second system) unit for magnetic flux of a magnetic pole (according to the interaction of identical poles of 1 dyn at a distance of a cm). |

Used Codes

| | |
|-----|--|
| P54 | milligray per second 0,001-fold of the derived SI unit gray divided by the SI base unit second. |
| P55 | microgray per second 0,000 001-fold of the derived SI unit gray divided by the SI base unit second. |
| P56 | nanogray per second 0,000 000 001-fold of the derived SI unit gray divided by the SI base unit second. |
| P57 | gray per minute SI derived unit gray divided by the unit minute. |
| P58 | milligray per minute 0,001-fold of the derived SI unit gray divided by the unit minute. |
| P59 | microgray per minute 0,000 001-fold of the derived SI unit gray divided by the unit minute. |
| P60 | nanogray per minute 0,000 000 001-fold of the derived SI unit gray divided by the unit minute. |
| P61 | gray per hour SI derived unit gray divided by the unit hour. |
| P62 | milligray per hour 0,001-fold of the derived SI unit gray divided by the unit hour. |
| P63 | microgray per hour 0,000 001-fold of the derived SI unit gray divided by the unit hour. |
| P64 | nanogray per hour 0,000 000 001-fold of the derived SI unit gray divided by the unit hour. |
| P65 | sievert per second Derived SI unit sievert divided by the SI base unit second. |
| P66 | millisievert per second 0,001-fold of the derived SI unit sievert divided by the SI base unit second. |
| P67 | microsievert per second 0,000 001-fold of the derived SI unit sievert divided by the SI base unit second. |
| P68 | nanosievert per second 0,000 000 001-fold of the derived SI unit sievert divided by the SI base unit second. |
| P69 | rem per second Unit for the equivalent tin rate relating to DIN 1301-3:1979: $1 \text{ rem/s} = 0,01 \text{ J}/(\text{kg}\cdot\text{s}) = 1 \text{ Sv/s}$. |
| P70 | sievert per hour Derived SI unit sievert divided by the unit hour. |

Used Codes

| | |
|-----|--|
| P71 | millisievert per hour 0,001-fold of the derived SI unit sievert divided by the unit hour. |
| P72 | microsievert per hour 0,000 001-fold of the derived SI unit sievert divided by the unit hour. |
| P73 | nanosievert per hour 0,000 000 001-fold of the derived SI unit sievert divided by the unit hour. |
| P74 | sievert per minute Derived SI unit sievert divided by the unit minute. |
| P75 | millisievert per minute 0,001-fold of the derived SI unit sievert divided by the unit minute. |
| P76 | microsievert per minute 0,000 001-fold of the derived SI unit sievert divided by the unit minute. |
| P77 | nanosievert per minute 0,000 000 001-fold of the derived SI unit sievert divided by the unit minute. |
| P78 | reciprocal square inch Complement of the power of the unit inch according to the Anglo-American and Imperial system of units by exponent 2. |
| P79 | pascal square metre per kilogram Unit of the burst index as derived unit for pressure pascal related to the substance, represented as a quotient from the SI base unit kilogram divided by the power of the SI base unit metre by exponent 2. |
| P80 | millipascal per metre 0,001-fold of the derived SI unit pascal divided by the SI base unit metre. |
| P81 | kilopascal per metre 1000-fold of the derived SI unit pascal divided by the SI base unit metre. |
| P82 | hectopascal per metre 100-fold of the derived SI unit pascal divided by the SI base unit metre. |
| P83 | standard atmosphere per metre Outdated unit of the pressure divided by the SI base unit metre. |
| P84 | technical atmosphere per metre Obsolete and non-legal unit of the pressure which is generated by a 10 metre water column divided by the SI base unit metre. |
| P85 | torr per metre CGS (Centimetre-Gram-Second system) unit of the pressure divided by the SI base unit metre. |

Used Codes

| | |
|-----|---|
| P86 | psi per inch Compound unit for pressure (pound-force according to the Anglo-American unit system divided by the power of the unit inch according to the Anglo-American and Imperial system of units with the exponent 2) divided by the unit inch according to the Anglo-American and Imperial system of units . |
| P87 | cubic metre per second square metre Unit of volume flow cubic meters by second related to the transmission surface in square metres. |
| P88 | rhe Non SI-conforming unit of fluidity of dynamic viscosity. |
| P89 | pound-force foot per inch Unit for length-related rotational moment according to the Anglo-American and Imperial system of units. |
| P90 | pound-force inch per inch Unit for length-related rotational moment according to the Anglo-American and Imperial system of units. |
| P91 | perm (0 °C) Traditional unit for the ability of a material to allow the transition of the steam, defined at a temperature of 0 °C as steam transmittance, where the mass of one grain steam penetrates an area of one foot squared at a pressure from one inch mercury per hour. |
| P92 | perm (23 °C) Traditional unit for the ability of a material to allow the transition of the steam, defined at a temperature of 23 °C as steam transmittance at which the mass of one grain of steam penetrates an area of one square foot at a pressure of one inch mercury per hour. |
| P93 | byte per second Unit byte divided by the SI base unit second. |
| P94 | kilobyte per second 1000-fold of the unit byte divided by the SI base unit second. |
| P95 | megabyte per second 1 000 000-fold of the unit byte divided by the SI base unit second. |
| P96 | reciprocal volt Reciprocal of the derived SI unit volt. |
| P97 | reciprocal radian Reciprocal of the unit radian. |
| P98 | pascal to the power sum of stoichiometric numbers Unit of the equilibrium constant on the basis of the pressure(ISO 80000-9: 2009, 9-35.a). |

Used Codes

| | |
|-----|---|
| P99 | mole per cubiv metre to the power sum of stoichiometric numbers Unit of the equilibrium constant on the basis of the concentration (ISO 80000-9:2009, 9-36.a). |
| PAL | pascal |
| PD | pad A unit of count defining the number of pads (pad: block of paper sheets fastened together at one end). |
| PFL | proof litre A unit of volume equal to one litre of proof spirits, or the alcohol equivalent thereof. Used for measuring the strength of distilled alcoholic liquors, expressed as a percentage of the alcohol content of a standard mixture at a specific temperature. |
| PGL | proof gallon A unit of volume equal to one gallon of proof spirits, or the alcohol equivalent thereof. Used for measuring the strength of distilled alcoholic liquors, expressed as a percentage of the alcohol content of a standard mixture at a specific temperature. |
| PI | pitch A unit of count defining the number of characters that fit in a horizontal inch. |
| PLA | degree Plato A unit of proportion defining the sugar content of a product, especially in relation to beer. |
| PO | pound per inch of length |
| PQ | page per inch A unit of quantity defining the degree of thickness of a bound publication, expressed as the number of pages per inch of thickness. |
| PR | pair A unit of count defining the number of pairs (pair: item described by two's). |
| PS | pound-force per square inch |
| PT | pint (US) Use liquid pint (common code PTL) |
| PTD | dry pint (US) |
| PTI | pint (UK) |
| PTL | liquid pint (US) |
| PTN | portion A quantity of allowance of food allotted to, or enough for, one person. |
| Q10 | joule per tesla Unit of the magnetic dipole moment of the molecule as derived SI unit joule divided by the derived SI unit tesla. |

Used Codes

| | |
|-----|---|
| Q11 | erlang Unit of the market value according to the feature of a single feature as a statistical measurement of the existing utilization. |
| Q12 | octet Synonym for byte: 1 octet = 8 bit = 1 byte. |
| Q13 | octet per second Unit octet divided by the SI base unit second. |
| Q14 | shannon Logarithmic unit for information equal to the content of decision of a sentence of two mutually exclusive events, expressed as a logarithm to base 2. |
| Q15 | hartley Logarithmic unit for information equal to the content of decision of a sentence of ten mutually exclusive events, expressed as a logarithm to base 10. |
| Q16 | natural unit of information Logarithmic unit for information equal to the content of decision of a sentence of ,718 281 828 459 mutually exclusive events, expressed as a logarithm to base Euler value e. |
| Q17 | shannon per second Time related logarithmic unit for information equal to the content of decision of a sentence of two mutually exclusive events, expressed as a logarithm to base 2. |
| Q18 | hartley per second Time related logarithmic unit for information equal to the content of decision of a sentence of ten mutually exclusive events, expressed as a logarithm to base 10. |
| Q19 | natural unit of information per second Time related logarithmic unit for information equal to the content of decision of a sentence of 2,718 281 828 459 mutually exclusive events, expressed as a logarithm to base of the Euler value e. |
| Q20 | second per kilogramm Unit of the Einstein transition probability for spontaneous or inducing emissions and absorption according to ISO 80000-7:2008, expressed as SI base unit second divided by the SI base unit kilogram. |
| Q21 | watt square metre Unit of the first radiation constants $c_1 = 2 \cdot p \cdot h \cdot c_0$ to the power of 2, the value of which is 3,741 771 18 · 10 ¹⁶ -fold that of the comparative value of the product of the derived SI unit watt multiplied with the power of the SI base unit metre with the exponent 2. |
| Q22 | second per radian cubic metre Unit of the density of states as an expression of angular frequency as complement of the product of hertz and radian and the power of SI base unit metre by exponent 3 . |

Used Codes

| | |
|-----|---|
| Q23 | weber to the power minus one Complement of the derived SI unit weber as unit of the Josephson constant, which value is equal to the 384 597,891-fold of the reference value gigahertz divided by volt. |
| Q24 | reciprocal inch Complement of the unit inch according to the Anglo-American and Imperial system of units. |
| Q25 | dioptre Unit used at the statement of relative refractive indexes of optical systems as complement of the focal length with correspondence to: 1 dpt = 1/m. |
| Q26 | one per one Value of the quotient from two physical units of the same kind as a numerator and denominator whereas the units are shortened mutually. |
| Q27 | newton metre per metre Unit for length-related rotational moment as product of the derived SI unit newton and the SI base unit metre divided by the SI base unit metre. |
| Q28 | kilogram per square metre pascal second Unit for the ability of a material to allow the transition of steam. |
| Q29 | microgram per hectogram Microgram per hectogram. |
| Q3 | meal A unit of count defining the number of meals (meal: an amount of food to be eaten on a single occasion). |
| Q30 | pH (potential of Hydrogen) The activity of the (solvated) hydrogen ion (a logarithmic measure used to state the acidity or alkalinity of a chemical solution). |
| Q31 | kilojoule per gram |
| Q32 | femtolitre |
| Q33 | picolitre |
| Q34 | nanolitre |
| Q35 | megawatts per minute A unit of power defining the total amount of bulk energy transferred or consumer per minute. |
| Q36 | square metre per cubic metre A unit of the amount of surface area per unit volume of an object or collection of objects. |
| Q37 | Standard cubic metre per day Standard cubic metre (temperature 15°C and pressure 1013.25 millibars) per day |

Used Codes

| | |
|-----|---|
| Q38 | Standard cubic metre per hour Standard cubic metre (temperature 15°C and pressure 1013.25 millibars) per hour |
| Q39 | Normalized cubic metre per day Normalized cubic metre (temperature 0°C and pressure 1013.25 millibars) per day |
| Q40 | Normalized cubic metre per hour Normalized cubic metre (temperature 0°C and pressure 1013.25 millibars) per hour |
| Q41 | Joule per normalised cubic metre Joule per normalised cubic metre (temperature 0°C and pressure 1013.25 millibars). |
| Q42 | Joule per standard cubic metre Joule per standard cubic metre (temperature 15°C and pressure 1013.25 millibars). |
| QA | page - facsimile A unit of count defining the number of facsimile pages. |
| QAN | quarter (of a year) A unit of time defining the number of quarters (3 months). |
| QB | page - hardcopy A unit of count defining the number of hardcopy pages (hardcopy page: a page rendered as printed or written output on paper, film, or other permanent medium). |
| QR | quire A unit of count for paper, expressed as the number of quires (quire: a number of paper sheets, typically 25). |
| QT | quart (US) Use liquid quart (common code QTL) |
| QTD | dry quart (US) |
| QTI | quart (UK) |
| QTL | liquid quart (US) |
| QTR | quarter (UK) A traditional unit of weight equal to 1/4 hundredweight. In the United Kingdom, one quarter equals 28 pounds. |
| R1 | pica A unit of count defining the number of picas. (pica: typographical length equal to 12 points or 4.22 mm (approx.)). |
| R9 | thousand cubic metre A unit of volume equal to one thousand cubic metres. |

Used Codes

| | |
|-----|--|
| RH | running or operating hour A unit of time defining the number of hours of operation. |
| RM | ream A unit of count for paper, expressed as the number of reams (ream: a large quantity of paper sheets, typically 500). |
| ROM | room A unit of count defining the number of rooms. |
| RP | pound per ream A unit of mass for paper, expressed as pounds per ream. (ream: a large quantity of paper, typically 500 sheets). |
| RPM | revolutions per minute Refer ISO/TC12 SI Guide |
| RPS | revolutions per second Refer ISO/TC12 SI Guide |
| RT | revenue ton mile A unit of information typically used for billing purposes, expressed as the number of revenue tons (revenue ton: either a metric ton or a cubic metres, whichever is the larger), moved over a distance of one mile. |
| S3 | square foot per second Synonym: foot squared per second |
| S4 | square metre per second Synonym: metre squared per second (square metres/second US) |
| SAN | half year (6 months) 'A unit of time defining the number of half years (6 months). |
| SCO | score A unit of count defining the number of units in multiples of 20. |
| SCR | scruple |
| SEC | second [unit of time] |
| SET | set A unit of count defining the number of sets (set: a number of objects grouped together). |
| SG | segment A unit of information equal to 64000 bytes. |
| SHT | shipping ton A unit of mass defining the number of tons for shipping. |
| SIE | siemens |
| SM3 | Standard cubic metre Standard cubic metre (temperature 15°C and pressure 1013.25 millibars) |

Used Codes

| | |
|-----|---|
| SMI | mile (statute mile) |
| SQ | square A unit of count defining the number of squares (square: rectangular shape). |
| SQR | square, roofing A unit of count defining the number of squares of roofing materials, measured in multiples of 100 square feet. |
| SR | strip A unit of count defining the number of strips (strip: long narrow piece of an object). |
| STC | stick A unit of count defining the number of sticks (stick: slender and often cylindrical piece of a substance). |
| STI | stone (UK) |
| STK | stick, cigarette A unit of count defining the number of cigarettes in the smallest unit for stock-taking and/or duty computation. |
| STL | standard litre A unit of volume defining the number of litres of a product at a temperature of 15 degrees Celsius, especially in relation to hydrocarbon oils. |
| STN | ton (US) or short ton (UK/US) Synonym: net ton (2000 lb) |
| STW | straw A unit of count defining the number of straws (straw: a slender tube used for sucking up liquids). |
| SW | skein A unit of count defining the number of skeins (skein: a loosely-coiled bundle of yarn or thread). |
| SX | shipment A unit of count defining the number of shipments (shipment: an amount of goods shipped or transported). |
| SYR | syringe A unit of count defining the number of syringes (syringe: a small device for pumping, spraying and/or injecting liquids through a small aperture). |
| T0 | telecommunication line in service A unit of count defining the number of lines in service. |
| T3 | thousand piece A unit of count defining the number of pieces in multiples of 1000 (piece: a single item, article or exemplar). |
| TAH | kiloampere hour (thousand ampere hour) |

Used Codes

| | |
|-----|---|
| TAN | total acid number A unit of chemistry defining the amount of potassium hydroxide (KOH) in milligrams that is needed to neutralize the acids in one gram of oil. It is an important quality measurement of crude oil. |
| TI | thousand square inch |
| TIC | metric ton, including container A unit of mass defining the number of metric tons of a product, including its container. |
| TIP | metric ton, including inner packaging A unit of mass defining the number of metric tons of a product, including its inner packaging materials. |
| TKM | tonne kilometre A unit of information typically used for billing purposes, expressed as the number of tonnes (metric tons) moved over a distance of one kilometre. |
| TMS | kilogram of imported meat, less offal A unit of mass equal to one thousand grams of imported meat, disregarding less valuable by-products such as the entrails. |
| TNE | tonne (metric ton) Synonym: metric ton |
| TP | ten pack A unit of count defining the number of items in multiples of 10. |
| TPI | teeth per inch The number of teeth per inch. |
| TPR | ten pair A unit of count defining the number of pairs in multiples of 10 (pair: item described by two's). |
| TQD | thousand cubic metre per day A unit of volume equal to one thousand cubic metres per day. |
| TRL | trillion (EUR) |
| TST | ten set A unit of count defining the number of sets in multiples of 10 (set: a number of objects grouped together). |
| TTS | ten thousand sticks A unit of count defining the number of sticks in multiples of 10000 (stick: slender and often cylindrical piece of a substance). |
| U1 | treatment A unit of count defining the number of treatments (treatment: subjection to the action of a chemical, physical or biological agent). |

Used Codes

| | |
|-----|---|
| U2 | tablet A unit of count defining the number of tablets (tablet: a small flat or compressed solid object). |
| UA | torr |
| UB | telecommunication line in service average A unit of count defining the average number of lines in service. |
| UC | telecommunication port A unit of count defining the number of network access ports. |
| UIG | international unit per gram A unit of count defining the number of international units per gram. |
| VA | volt - ampere per kilogram |
| VLT | volt |
| VP | percent volume A measure of concentration, typically expressed as the percentage volume of a solute in a solution. |
| W2 | wet kilo A unit of mass defining the number of kilograms of a product, including the water content of the product. |
| WA | watt per kilogram |
| WB | wet pound A unit of mass defining the number of pounds of a material, including the water content of the material. |
| WCD | cord A unit of volume used for measuring lumber. One board foot equals 1/12 of a cubic foot. |
| WE | wet ton A unit of mass defining the number of tons of a material, including the water content of the material. |
| WEB | weber |
| WEE | week |
| WG | wine gallon A unit of volume equal to 231 cubic inches. |
| WHR | watt hour |
| WM | working month A unit of time defining the number of working months. |
| WSD | standard A unit of volume of finished lumber equal to 165 cubic feet. Synonym: standard cubic foot |

Used Codes

| | |
|-----|--|
| WTT | watt |
| WW | millilitre of water A unit of volume equal to the number of millilitres of water. |
| X1 | Gunter's chain A unit of distance used or formerly used by British surveyors. |
| YDK | square yard |
| YDQ | cubic yard |
| YRD | yard |
| Z11 | hanging container A unit of count defining the number of hanging containers. |
| Z9 | nanomole An SI unit of amount of substance equal to 10^{-9} moles |
| ZP | page A unit of count defining the number of pages. |
| ZZ | mutually defined A unit of measure as agreed in common between two or more parties. |
| 001 | Barrel (205 litres, 45 gallons) (GS1 Temporary Code) A unit of liquids equivalent to 205 litres or 45 gallons. |
| 23 | gram per cubic centimetre GS1 Description: g/cm ³ as a unit of measure for the density of gas. This is necessary for dangerous substance articles for determination of the quantities that can be stored together on the shelf. |
| 25 | gram per square centimetre GS1 Description: A measure of weight in terms of gram per square centimetre. |
| 28 | kilogram per square metre GS1 Description: Unit of measure expressed in kilogram per square metre. |
| 37 | ounce per square foot |
| 59 | part per million |
| 64 | Pound per square inch, gauge A unit of measure expressed in pound per square inch |
| 2N | decibel |
| 2X | metre per minute GS1 Description: A measure of speed in terms of metres per minute. |
| 4K | milliampere |

Used Codes

| | |
|-----|--|
| 4L | megabyte GS1 Description: A unit of computer memory equal to 1.048.576 (i.e. 2 power 20) bytes. |
| 4O | microfarad GS1 Description: One millionth of a farad. A farad is the capacitance of a capacitor between the plates of which a potential of 1 volt is created by a charge of 1 Coulomb. |
| 4P | newton per metre |
| A25 | cheval vapeur |
| A86 | gigahertz GS1 Description: Hertz multiplied by 10*9. |
| A99 | Bit A unit of information equal to one binary digit. |
| ACR | acre GS1 Description: Acre (4840 yd2) |
| AD | byte GS1 Description: A unit of information stored in a computer, equal to eight bits. |
| AMH | ampere hour GS1 Description: Ampere-hour (3,6kC) |
| AMP | ampere |
| AMT | amount |
| ANN | year GS1 Description: The expression of a year as a measure unit. |
| APZ | Troy ounce or apothecary ounce EDIFACT |
| ASM | alcoholic strength by mass GS1 Description: Alcoholic strength expressed by mass. |
| ASU | alcoholic strength by volume GS1 Description: Alcoholic strength expressed by volume. |
| AV | capsule GS1 Description: Encapsuled dosage form for pharmaceuticals. |
| B13 | Joule per square metre A unit of measure of heat energy expressed in joule per square metre. |

Used Codes

| | |
|-----|--|
| B17 | Credit A unit of count defining the number of entries made to the credit side of an account. |
| BAR | bar GS1 Description: A unit of measure equal to 106 dines per square centimeter. |
| BTU | British thermal unit GS1 Description: British thermal unit (1,055 kilojoules) |
| C0 | call GS1 Description: Unit of measure for telephone calls. Code value is C0 (C Zero). |
| C60 | ohm centimetre GS1 Description: Unit of measure expressed in Ohm centimetre. |
| C79 | Kilovolt Ampere Hour A unit of accumulated energy of 1000 volt amperes over a period of one hour. EDIFACT |
| CDL | candela GS1 Description: Unit of measure of light intensity. |
| CEL | degree celsius |
| CF2 | Colony forming unit per gram (GS1 Temporary Code) Colony forming units per gram is a unit of measure for micro-organisms, such as bacteria, in a food item. Micro-organisms form colonies that are be counted under determined conditions |
| CLT | centilitre GS1 Description: A unit of volume equal to one hundredth of a liter. |
| CMK | square centimetre |
| CMQ | cubic centimetre GS1 Description: A system of units for the measurement of volume based on the cubic centimetre. |
| CMT | centimetre |
| D19 | Square metre kelvin per watt Unit of measure of thermal insulance expressed in square metre kelvin per watt. |
| D21 | square metre per kilogram GS1 Description: Unit of measure expressed in square metre per kilogram. |
| D32 | Terawatt hour A unit of measure expressed in terawatt hour |

Used Codes

| | |
|-----|--|
| D5 | Kilogram per square centimetre A unit of measure expressed in kilogram per square centimetre |
| D55 | Watt per square metre kelvin Unit of measure of thermal conductance expressed in watt per square metre kelvin. |
| D68 | Number of Words A unit of count defining the number of words. EDIFACT |
| DAY | day GS1 Description: The expression of a day as a measure unit. |
| DD | degree GS1 Description: Unit of measure of temperature. |
| DMQ | cubic decimetre GS1 Description: Unit of measure expressed in cubic decimetre. |
| DMT | decimetre |
| DRG | Dragée (GS1 Temporary Code) Number of dragées (coated tablets) contained in the item's package as a measurement unit. |
| DZN | dozen GS1 Description: A unit of measure of 12 or group of 12. |
| E09 | Milliampere hour A unit of power load delivered at the rate of one thousandth of an ampere over a period of one hour. EDIFACT |
| E10 | Degree day A unit of measure used in meteorology and engineering to measure the demand for heating or cooling over a given period of days. EDIFACT |
| E11 | Gigacalorie A unit of heat energy equal to one thousand million calories. EDIFACT |
| E27 | Dose A unit of count defining the number of doses (dose: a definite quantity of a medicine or drug). EDIFACT |
| E31 | Square metre per litre A unit of count defining the number of square metres per litre. EDIFACT |

Used Codes

| | |
|-----|--|
| E32 | Litre per hour A unit of count defining the number of litres per hour. EDIFACT |
| E34 | Gigabyte A unit of information equal to 10 E9 bytes. |
| E37 | Pixel A unit of count defining the number of pixels (pixel: picture element). |
| E38 | Megapixel A unit of count equal to 10 E6 (1000000) pixels (picture elements). |
| E39 | Dots per inch A unit of information defining the number of dots per linear inch as a measure of the resolution or sharpness of an image. GS1 Description: synonym: pixels per inch. |
| EA | each |
| EV | envelope GS1 Description: A unit of measure pertaining to the number of envelopes. |
| FAH | degree Fahrenheit |
| FOT | foot GS1 Description: Foot (0,3048 m) |
| FP | Pound per square foot A unit of measure expressed in pound per square foot |
| FTK | Square foot A unit of measure expressed in square foot |
| FTQ | cubic foot |
| GL | gram per litre |
| GLI | gallon (UK) GS1 Description: Gallon (4,546092 dm ³) |
| GM | gram per square metre GS1 Description: Unit of measure of grams per square metre. |
| GRM | gram |
| GRO | gross GS1 Description: A unit of measure of 12 dozens. |
| GV | gigajoule |

Used Codes

| | |
|-----|--|
| GWH | gigawatt hour GS1 Description: Gigawatt-hour (1 million kW/h) |
| H87 | Piece A unit of count defining the number of pieces (piece: a single item, article or exemplar). EDIFACT |
| HLT | hectolitre |
| HMT | hectometre A unit of linear measure equal to 10 E2 metres. |
| HTZ | hertz GS1 Description: One cycle per second. |
| HUR | hour |
| INH | inch GS1 Description: Inch (25,4 mm) |
| INK | Square inch A unit of measure expressed in square inch |
| JM | Megajoule per cubic metre EDIFACT |
| JOU | joule |
| K51 | Kilocalorie (mean) EDIFACT |
| KB | kilocharacter |
| KBA | kilobar |
| KEL | kelvin |
| KGM | kilogram |
| KHZ | kilohertz |
| KJO | kilojoule |
| KL | kilogram per metre GS1 Description: A measure of weight in terms of kilogram per metre. |
| KMH | kilometre per hour GS1 Description: A unit of measure expressed in kilometre per hour. |
| KMQ | kilogram per cubic metre GS1 Description: A measure of weight in terms of kilogram per cubic metre. |
| KMT | kilometre |

Used Codes

| | |
|-----|--|
| KPA | kilopascal GS1 Description: Unit of measure expressed in kilopascal. |
| KVA | kilovolt - ampere GS1 Description: A unit of electric power. |
| KVT | kilovolt |
| KWH | kilowatt hour |
| KWT | kilowatt |
| L2 | litre per minute GS1 Description: Unit of measure expressed in litre per minute. |
| LBR | Pound EDIFACT |
| LD | Litre per day A unit of measure defining the number of litres per day. |
| LNE | Printed line count (GS1 Temporary Code) The indication of the count of printed lines included on a paper communication (e.g. telegram) for invoicing purposes. |
| LTR | litre GS1 Description: Litre (1 dm ³) |
| LUX | lux GS1 Description: Unit of measure of illumination (it corresponds to the illumination of a surface which normally and uniformly receives a light flow of 1 lumen per square meter). |
| M4 | Monetary value A unit of measure expressed as a monetary amount. EDIFACT |
| MAL | mega litre |
| MAW | megawatt |
| MC | microgram One millionth of a gram. |
| MCU | millicurie GS1 Description: Unit of measure for radioactivity. |
| MGM | milligram |
| MHZ | megahertz |
| MIN | minute |
| MLT | millilitre |

Used Codes

| | |
|-----|--|
| MMK | square millimetre GS1 Description: A unit to measure a surface equal to one millionth of a quadrate. |
| MMQ | cubic millimetre GS1 Description: A unit of measure expressed in cubic milimetres. |
| MMT | millimetre |
| MON | month GS1 Description: The expression of a month as a measure unit. |
| MPA | megapascal GS1 Description: A unit of measure expressed in Megapascal. |
| MQH | Cubic metre per hour A unit of measure defining the number of cubic metres per hour. |
| MTK | square metre |
| MTQ | cubic metre |
| MTR | metre |
| MTS | Metre per second A unit of speed expressed in metres per second. |
| MWH | megawatt hour (1000 kW.h) |
| NAR | number of articles |
| NEW | newton GS1 Description: The SI unit of force, equal to the force that would give a mass of one kilogram an acceleration of one metre per second. |
| NIU | number of international units A unit of count defining the number of international units. |
| NRL | number of rolls |
| ONZ | ounce GS1 Description: Ounce GB, US (28,349523 g) |
| OZA | fluid ounce (US) GS1 Description: Fluid ounce US (29,5735 cm ³) |
| OZI | fluid ounce (UK) GS1 Description: Fluid ounce UK (28,413 cm ³) |
| P1 | percent GS1 Description: This code is used to indicate measurements in terms of percentages, e.g. the relative humidity (code RA in data element 6313) is 52%. |

Used Codes

| | |
|-----|---|
| PA | packet |
| PAL | pascal GS1 Description: The SI unit of pressure, equal to one Newton per square metre. |
| PCE | Piece (GS1 Temporary Code) GS1 Note: Old code value. Use value H87 instead. |
| PF | pallet (lift) GS1 Description: A number of articles expressed in terms of pallets. |
| PR | pair GS1 Description: Two articles which belong together but are not necessarily identical. |
| PTI | pint (UK) GS1 Description: Pint UK (0,568262 dm3) |
| PTN | Portion (GS1 Temporary Code) The identification of the number of portions (doses in medical terms) into which a complete product may be broken into for serving purposes, e.g. a pie with 6 portions, a liquid medicine with 20 doses. |
| QAN | quarter (of a year) |
| QTI | quart (UK) GS1 Description: Quart UK (1,1136523 dm3) |
| RJH | Decanewton (GS1 Temporary Code) A unit of force equal to 10 Newton. |
| RPM | revolutions per minute |
| RTO | Ratio (GS1 Temporary Code) The measured value is a ratio. |
| SEC | second |
| SMI | Mile (statute mile) A unit of measure expressed in mile |
| ST | sheet |
| TNE | tonne (metric ton) GS1 Description: Metric ton (1000kg) |
| U2 | tablet A unit of count defining the number of tablets (tablet: a small flat or compressed solid object). GS1 Description: Dosage form for pharmaceuticals, pressed or compacted from a powder into a solid dose. |

Used Codes

| | |
|-------------|--|
| UI | Unit of activity, predefined (GS1 Temporary Code) A measure pertaining to a predefined activity. |
| VI | vial GS1 Description: Small glass container. E.g. for a liquid medicine or perfume. |
| VLT | volt |
| WHR | watt hour |
| WTT | watt |
| YDK | Square yard A unit of measure expressed in square yard |
| YRD | yard GS1 Description: Yard (0,9144 m) |
| ZP | page GS1 Description: The indication of a page as a measurement unit for invoicing purposes, e.g. fax pages. |
| 7065 | Package type description code Code specifying the type of package. Notes: 1. Recommend use UN/ECE Recommendation No. 21 (also, see current volume of UNTDED). |
| 43 | Bag, super bulk |
| 44 | Bag, polybag A type of plastic bag, typically used to wrap promotional pieces, publications, product samples, and/or catalogues. |
| 1A | Drum, steel |
| 1B | Drum, aluminium |
| 1D | Drum, plywood |
| 1F | Container, flexible A packaging container of flexible construction. |
| 1G | Drum, fibre |
| 1W | Drum, wooden |
| 2C | Barrel, wooden |
| 3A | Jerrican, steel |
| 3H | Jerrican, plastic |
| 4A | Box, steel |

Used Codes

| | |
|----|---|
| 4B | Box, aluminium |
| 4C | Box, natural wood |
| 4D | Box, plywood |
| 4F | Box, reconstituted wood |
| 4G | Box, fibreboard |
| 4H | Box, plastic |
| 5H | Bag, woven plastic |
| 5L | Bag, textile |
| 5M | Bag, paper |
| 6H | Composite packaging, plastic receptacle |
| 6P | Composite packaging, glass receptacle |
| 7A | Case, car A type of portable container designed to store equipment for carriage in an automobile. |
| 7B | Case, wooden A case made of wood for retaining substances or articles. |
| 8A | Pallet, wooden A platform or open-ended box, made of wood, on which goods are retained for ease of mechanical handling during transport and storage. |
| 8B | Crate, wooden A receptacle, made of wood, on which goods are retained for ease of mechanical handling during transport and storage. |
| 8C | Bundle, wooden Loose or unpacked pieces of wood tied or wrapped together. |
| AA | Intermediate bulk container, rigid plastic |
| AB | Receptacle, fibre |
| AC | Receptacle, paper |
| AD | Receptacle, wooden |
| AE | Aerosol |
| AF | Pallet, modular, collars 80cms × 60cms |
| AG | Pallet, shrinkwrapped |
| AH | Pallet, 100cms × 110cms |
| AI | Clamshell |
| AJ | Cone |

Used Codes

| | |
|----|--|
| AL | Ball A spherical containment vessel for retaining substances or articles. |
| AM | Ampoule, non-protected |
| AP | Ampoule, protected |
| AT | Atomizer |
| AV | Capsule |
| B4 | Belt A band use to retain multiple articles together. |
| BA | Barrel |
| BB | Bobbin |
| BC | Bottlecrate / bottlerack |
| BD | Board |
| BE | Bundle |
| BF | Balloon, non-protected |
| BG | Bag |
| BH | Bunch |
| BI | Bin |
| BJ | Bucket |
| BK | Basket |
| BL | Bale, compressed |
| BM | Basin |
| BN | Bale, non-compressed |
| BO | Bottle, non-protected, cylindrical |
| BP | Balloon, protected |
| BQ | Bottle, protected cylindrical |
| BR | Bar |
| BS | Bottle, non-protected, bulbous |
| BT | Bolt |
| BU | Butt |
| BV | Bottle, protected bulbous |
| BW | Box, for liquids |
| BX | Box |
| BY | Board, in bundle/bunch/truss |
| BZ | Bars, in bundle/bunch/truss |

Used Codes

| | |
|----|---|
| CA | Can, rectangular |
| CB | Crate, beer |
| CC | Churn |
| CD | Can, with handle and spout |
| CE | Creel |
| CF | Coffer |
| CG | Cage |
| CH | Chest |
| CI | Canister |
| CJ | Coffin |
| CK | Cask |
| CL | Coil |
| CM | Card |
| CN | Container, not otherwise specified as transport equipment |
| CO | Carboy, non-protected |
| CP | Carboy, protected |
| CQ | Cartridge |
| CR | Crate |
| CS | Case |
| CT | Carton |
| CU | Cup |
| CV | Cover |
| CW | Cage, roll |
| CX | Can, cylindrical |
| CY | Cylinder |
| CZ | Canvas |
| DA | Crate, multiple layer, plastic |
| DB | Crate, multiple layer, wooden |
| DC | Crate, multiple layer, cardboard |
| DG | Cage, Commonwealth Handling Equipment Pool (CHEP) |
| DH | Box, Commonwealth Handling Equipment Pool (CHEP), Eurobox |
| DI | Drum, iron |
| DJ | Demijohn, non-protected |

Used Codes

| | |
|----|--|
| DK | Crate, bulk, cardboard |
| DL | Crate, bulk, plastic |
| DM | Crate, bulk, wooden |
| DN | Dispenser |
| DP | Demijohn, protected |
| DR | Drum |
| DS | Tray, one layer no cover, plastic |
| DT | Tray, one layer no cover, wooden |
| DU | Tray, one layer no cover, polystyrene |
| DV | Tray, one layer no cover, cardboard |
| DW | Tray, two layers no cover, plastic tray |
| DX | Tray, two layers no cover, wooden |
| DY | Tray, two layers no cover, cardboard |
| EC | Bag, plastic |
| ED | Case, with pallet base |
| EE | Case, with pallet base, wooden |
| EF | Case, with pallet base, cardboard |
| EG | Case, with pallet base, plastic |
| EH | Case, with pallet base, metal |
| EI | Case, isothermic |
| EN | Envelope |
| FB | Flexibag A flexible containment bag made of plastic, typically for the transportation bulk non-hazardous cargoes using standard size shipping containers. |
| FC | Crate, fruit |
| FD | Crate, framed |
| FE | Flexitank A flexible containment tank made of plastic, typically for the transportation bulk non-hazardous cargoes using standard size shipping containers. |
| FI | Firkin |
| FL | Flask |
| FO | Footlocker |
| FP | Filmpack |
| FR | Frame |

Used Codes

| | |
|----|--|
| FT | Foodtainer |
| FW | Cart, flatbed Wheeled flat bedded device on which trays or other regular shaped items are packed for transportation purposes. |
| FX | Bag, flexible container |
| GB | Bottle, gas |
| GI | Girder |
| GL | Container, gallon A container with a capacity of one gallon. |
| GR | Receptacle, glass |
| GU | Tray, containing horizontally stacked flat items Tray containing flat items stacked on top of one another. |
| GY | Bag, gunny A sack made of gunny or burlap, used for transporting coarse commodities, such as grains, potatoes, and other agricultural products. |
| GZ | Girders, in bundle/bunch/truss |
| HA | Basket, with handle, plastic |
| HB | Basket, with handle, wooden |
| HC | Basket, with handle, cardboard |
| HG | Hogshead |
| HN | Hanger A purpose shaped device with a hook at the top for hanging items from a rail. |
| HR | Hamper |
| IA | Package, display, wooden |
| IB | Package, display, cardboard |
| IC | Package, display, plastic |
| ID | Package, display, metal |
| IE | Package, show |
| IF | Package, flow |
| IG | Package, paper wrapped |
| IH | Drum, plastic |
| IK | Package, cardboard, with bottle grip-holes |
| IL | Tray, rigid, lidded stackable (CEN TS 14482:2002) Lidded stackable rigid tray compliant with CEN TS 14482:2002. |
| IN | Ingot |

Used Codes

| | |
|----|--|
| IZ | Ingots, in bundle/bunch/truss |
| JB | Bag, jumbo A flexible containment bag, widely used for storage, transportation and handling of powder, flake or granular materials. Typically constructed from woven polypropylene (PP) fabric in the form of cubic bags. |
| JC | Jerrican, rectangular |
| JG | Jug |
| JR | Jar |
| JT | Jutebag |
| JY | Jerrican, cylindrical |
| KG | Keg |
| KI | Kit A set of articles or implements used for a specific purpose. |
| LE | Luggage A collection of bags, cases and/or containers which hold personal belongings for a journey. |
| LG | Log |
| LT | Lot |
| LU | Lug A wooden box for the transportation and storage of fruit or vegetables. |
| LV | Liftvan |
| LZ | Logs, in bundle/bunch/truss |
| MA | Crate, metal Containment box made of metal for retaining substances or articles. |
| MB | Bag, multiply |
| MC | Crate, milk |
| ME | Container, metal A type of containment box made of metal for retaining substances or articles, not otherwise specified as transport equipment. |
| MR | Receptacle, metal |
| MS | Sack, multi-wall |
| MT | Mat |
| MW | Receptacle, plastic wrapped |
| MX | Matchbox |
| NA | Not available |
| NE | Unpacked or unpackaged |

Used Codes

| | |
|----|--|
| NF | Unpacked or unpackaged, single unit |
| NG | Unpacked or unpackaged, multiple units |
| NS | Nest |
| NT | Net |
| NU | Net, tube, plastic |
| NV | Net, tube, textile |
| O1 | Two sided cage on wheels with fixing strap A two sided cage mounted on wheels with fixing strap. Dimensions: 900 x 770 x 1513 cm (length x width x height). |
| O2 | Trolley A low cart for the transportation and storage of groceries, milk, etc. |
| O3 | Oneway pallet ISO 0 - 1/2 EURO Pallet Oneway pallet with dimensions 80 X 60 cm. |
| O4 | Oneway pallet ISO 1 - 1/1 EURO Pallet Oneway pallet with dimensions 80 X 120 cm. |
| O5 | Oneway pallet ISO 2 - 2/1 EURO Pallet Oneway pallet with dimensions 100 X 120 cm. |
| O6 | Pallet with exceptional dimensions Pallet with non-standard dimensions. |
| O7 | Wooden pallet 40 cm x 80 cm Wooden pallet with dimensions 40 cm x 80 cm. |
| O8 | Plastic pallet SRS 60 cm x 80 cm SRS (Svenska Retursystem) standard synthetic pallet of dimensions 60 cm x 80 cm. |
| O9 | Plastic pallet SRS 80 cm x 120 cm SRS (Svenska Retursystem) standard synthetic pallet of dimensions 80 cm x 120 cm. |
| OA | Pallet, CHEP 40 cm x 60 cm CHEP standard pallet of dimensions 40 centimeters x 60 centimeters. |
| OB | Pallet, CHEP 80 cm x 120 cm CHEP standard pallet of dimensions 80 centimeters x 120 centimeters. |
| OC | Pallet, CHEP 100 cm x 120 cm CHEP standard pallet of dimensions 100 centimeters x 120 centimeters. |
| OD | Pallet, AS 4068-1993 Australian standard pallet of dimensions 115.5 centimeters x 116.5 centimeters. |

Used Codes

| | |
|----|---|
| OE | Pallet, ISO T11 ISO standard pallet of dimensions 110 centimeters x 110 centimeters, prevalent in Asia - Pacific region. |
| OF | Platform, unspecified weight or dimension A pallet equivalent shipping platform of unknown dimensions or unknown weight. |
| OG | Pallet ISO 0 - 1/2 EURO Pallet Standard pallet with dimensions 80 X 60 cm. |
| OH | Pallet ISO 1 - 1/1 EURO Pallet Standard pallet with dimensions 80 X 120 cm. |
| OI | Pallet ISO 2 - 2/1 EURO Pallet Standard pallet with dimensions 100 X 120 cm. |
| OJ | 1/4 EURO Pallet Standard pallet with dimensions 60 X 40 cm. |
| OK | Block A solid piece of a hard substance, such as granite, having one or more flat sides. |
| OL | 1/8 EURO Pallet Standard pallet with dimensions 40 X 30 cm. |
| OM | Synthetic pallet ISO 1 A standard pallet with standard dimensions 80 x 120cm made of a synthetic material for hygienic reasons. |
| ON | Synthetic pallet ISO 2 A standard pallet with standard dimensions 100 x 120cm made of a synthetic material for hygienic reasons. |
| OP | Wholesaler pallet Pallet provided by the wholesaler. |
| OQ | Pallet 80 X 100 cm Pallet with dimensions 80 X 100 cm. |
| OR | Pallet 60 X 100 cm Pallet with dimensions 60 X 100 cm. |
| OS | Oneway pallet Pallet need not be returned to the point of expedition. |
| OT | Octabin A standard cardboard container of large dimensions for storing for example vegetables, granules of plastics or other dry products. |
| OU | Container, outer A type of containment box that serves as the outer shipping container, not otherwise specified as transport equipment. |

Used Codes

| | |
|----|--|
| OV | Returnable pallet Pallet must be returned to the point of expedition. |
| OW | Large bag, pallet sized A non-rigid container made of fabric, paper, plastic, etc, with an opening at the top which can be closed and which is suitable for use on pallets. |
| OX | A wheeled pallet with raised rim (81 x 67 x 135) A wheeled pallet with raised rim for the storing and transporting of loads. Dimensions: 81 x 67 x 135 cm (length x width x height). |
| OY | A wheeled pallet with raised rim (81 x 72 x 135) A wheeled pallet with raised rim for the storing and transporting of loads. Dimensions: 81 x 72 x 135 cm (length x width x height). |
| OZ | A wheeled pallet with raised rim (81 x 60 x 16) A wheeled pallet with raised rim for the storing and transporting of loads. Dimensions: 81 x 60 x 16 cm (length x width x height). |
| P1 | CHEP pallet 60 cm x 80 cm Commonwealth Handling Equipment Pool (CHEP) standard pallet of dimensions 60 centimeters x 80 centimeters. |
| P2 | Pan A shallow, wide, open container, usually of metal. |
| P3 | LPR pallet 60 cm x 80 cm LPR (La Pallet Rouge) standard pallet of dimensions 60 cm x 80 cm. |
| P4 | LPR pallet 80 cm x 120 cm LPR (La Pallet Rouge) standard pallet of dimensions 80 cm x 120 cm. |
| PA | Packet |
| PB | Pallet, box |
| PC | Parcel |
| PD | Pallet, modular, collars 80cms * 100cms |
| PE | Pallet, modular, collars 80cms * 120cms |
| PF | Pen |
| PG | Plate |
| PH | Pitcher |
| PI | Pipe |
| PJ | Punnet |
| PK | Package |
| PL | Pail |
| PN | Plank |
| PO | Pouch |

Used Codes

| | |
|----|--|
| PP | Piece A loose or unpacked article. |
| PR | Receptacle, plastic |
| PT | Pot |
| PU | Tray pack |
| PV | Pipes, in bundle/bunch/truss |
| PX | Pallet |
| PY | Plates, in bundle/bunch/truss |
| PZ | Planks, in bundle/bunch/truss |
| QA | Drum, steel, non-removable head |
| QB | Drum, steel, removable head |
| QC | Drum, aluminium, non-removable head |
| QD | Drum, aluminium, removable head |
| QF | Drum, plastic, non-removable head |
| QG | Drum, plastic, removable head |
| QH | Barrel, wooden, bung type |
| QJ | Barrel, wooden, removable head |
| QK | Jerrican, steel, non-removable head |
| QL | Jerrican, steel, removable head |
| QM | Jerrican, plastic, non-removable head |
| QN | Jerrican, plastic, removable head |
| QP | Box, wooden, natural wood, ordinary |
| QQ | Box, wooden, natural wood, with sift proof walls |
| QR | Box, plastic, expanded |
| QS | Box, plastic, solid |
| RD | Rod |
| RG | Ring |
| RJ | Rack, clothing hanger |
| RK | Rack |
| RL | Reel |
| RO | Roll |
| RT | Rednet |
| RZ | Rods, in bundle/bunch/truss |

Used Codes

| | |
|----|--|
| SA | Sack |
| SB | Slab |
| SC | Crate, shallow |
| SD | Spindle |
| SE | Sea-chest |
| SH | Sachet |
| SI | Skid |
| SK | Case, skeleton |
| SL | Slipsheet |
| SM | Sheetmetal |
| SO | Spool |
| SP | Sheet, plastic wrapping |
| SS | Case, steel |
| ST | Sheet |
| SU | Suitcase |
| SV | Envelope, steel |
| SW | Shrinkwrapped |
| SY | Sleeve |
| SZ | Sheets, in bundle/bunch/truss |
| T1 | Tablet A loose or unpacked article in the form of a bar, block or piece. |
| TB | Tub |
| TC | Tea-chest |
| TD | Tube, collapsible |
| TE | Tyre A ring made of rubber and/or metal surrounding a wheel. |
| TG | Tank container, generic A specially constructed container for transporting liquids and gases in bulk. |
| TI | Tierce TI |
| TK | Tank, rectangular |
| TL | Tub, with lid |
| TN | Tin |
| TO | Tun |
| TR | Trunk |

Used Codes

| | |
|----|--|
| TS | Truss |
| TT | Bag, tote A capacious bag or basket. |
| TU | Tube |
| TV | Tube, with nozzle |
| TW | Pallet, triwall A lightweight pallet made from heavy duty corrugated board. |
| TY | Tank, cylindrical |
| TZ | Tubes, in bundle/bunch/truss |
| UC | Uncaged |
| UN | Unit A type of package composed of a single item or object, not otherwise specified as a unit of transport equipment. |
| VA | Vat |
| VG | Bulk, gas (at 1031 mbar and 15 degree C) |
| VI | Vial |
| VK | Vanpack |
| VL | Bulk, liquid |
| VN | Vehicle A self-propelled means of conveyance. |
| VO | Bulk, solid, large particles ("nodules") |
| VP | Vacuum-packed |
| VQ | Bulk, liquefied gas (at abnormal temperature/pressure) |
| VR | Bulk, solid, granular particles ("grains") |
| VS | Bulk, scrap metal Loose or unpacked scrap metal transported in bulk form. |
| VY | Bulk, solid, fine particles ("powders") |
| WA | Intermediate bulk container |
| WB | Wickerbottle |
| WC | Intermediate bulk container, steel |
| WD | Intermediate bulk container, aluminium |
| WF | Intermediate bulk container, metal |
| WG | Intermediate bulk container, steel, pressurised > 10 kpa |
| WH | Intermediate bulk container, aluminium, pressurised > 10 kpa |
| WJ | Intermediate bulk container, metal, pressure 10 kpa |

Used Codes

| | |
|----|---|
| WK | Intermediate bulk container, steel, liquid |
| WL | Intermediate bulk container, aluminium, liquid |
| WM | Intermediate bulk container, metal, liquid |
| WN | Intermediate bulk container, woven plastic, without coat/liner |
| WP | Intermediate bulk container, woven plastic, coated |
| WQ | Intermediate bulk container, woven plastic, with liner |
| WR | Intermediate bulk container, woven plastic, coated and liner |
| WS | Intermediate bulk container, plastic film |
| WT | Intermediate bulk container, textile with out coat/liner |
| WU | Intermediate bulk container, natural wood, with inner liner |
| WV | Intermediate bulk container, textile, coated |
| WW | Intermediate bulk container, textile, with liner |
| WX | Intermediate bulk container, textile, coated and liner |
| WY | Intermediate bulk container, plywood, with inner liner |
| WZ | Intermediate bulk container, reconstituted wood, with inner liner |
| XA | Bag, woven plastic, without inner coat/liner |
| XB | Bag, woven plastic, sift proof |
| XC | Bag, woven plastic, water resistant |
| XD | Bag, plastics film |
| XF | Bag, textile, without inner coat/liner |
| XG | Bag, textile, sift proof |
| XH | Bag, textile, water resistant |
| XJ | Bag, paper, multi-wall |
| XK | Bag, paper, multi-wall, water resistant |
| YA | Composite packaging, plastic receptacle in steel drum |
| YB | Composite packaging, plastic receptacle in steel crate box |
| YC | Composite packaging, plastic receptacle in aluminium drum |
| YD | Composite packaging, plastic receptacle in aluminium crate |
| YF | Composite packaging, plastic receptacle in wooden box |
| YG | Composite packaging, plastic receptacle in plywood drum |
| YH | Composite packaging, plastic receptacle in plywood box |
| YJ | Composite packaging, plastic receptacle in fibre drum |
| YK | Composite packaging, plastic receptacle in fibreboard box |

Used Codes

| | |
|----|--|
| YL | Composite packaging, plastic receptacle in plastic drum |
| YM | Composite packaging, plastic receptacle in solid plastic box |
| YN | Composite packaging, glass receptacle in steel drum |
| YP | Composite packaging, glass receptacle in steel crate box |
| YQ | Composite packaging, glass receptacle in aluminium drum |
| YR | Composite packaging, glass receptacle in aluminium crate |
| YS | Composite packaging, glass receptacle in wooden box |
| YT | Composite packaging, glass receptacle in plywood drum |
| YV | Composite packaging, glass receptacle in wickerwork hamper |
| YW | Composite packaging, glass receptacle in fibre drum |
| YX | Composite packaging, glass receptacle in fibreboard box |
| YY | Composite packaging, glass receptacle in expandable plastic pack |
| YZ | Composite packaging, glass receptacle in solid plastic pack |
| ZA | Intermediate bulk container, paper, multi-wall |
| ZB | Bag, large |
| ZC | Intermediate bulk container, paper, multi-wall, water resistant |
| ZD | Intermediate bulk container, rigid plastic, with structural equipment, solids |
| ZF | Intermediate bulk container, rigid plastic, freestanding, solids |
| ZG | Intermediate bulk container, rigid plastic, with structural equipment, pressurised |
| ZH | Intermediate bulk container, rigid plastic, freestanding, pressurised |
| ZJ | Intermediate bulk container, rigid plastic, with structural equipment, liquids |
| ZK | Intermediate bulk container, rigid plastic, freestanding, liquids |
| ZL | Intermediate bulk container, composite, rigid plastic, solids |
| ZM | Intermediate bulk container, composite, flexible plastic, solids |
| ZN | Intermediate bulk container, composite, rigid plastic, pressurised |
| ZP | Intermediate bulk container, composite, flexible plastic, pressurised |
| ZQ | Intermediate bulk container, composite, rigid plastic, liquids |
| ZR | Intermediate bulk container, composite, flexible plastic, liquids |
| ZS | Intermediate bulk container, composite |
| ZT | Intermediate bulk container, fibreboard |
| ZU | Intermediate bulk container, flexible |
| ZV | Intermediate bulk container, metal, other than steel |
| ZW | Intermediate bulk container, natural wood |

Used Codes

| | |
|-----|--|
| ZX | Intermediate bulk container, plywood |
| ZY | Intermediate bulk container, reconstituted wood |
| ZZ | Mutually defined |
| 08 | Oneway pallet (GS1 Temporary Code) Pallet need not be returned to the point of expedition. |
| 09 | Returnable pallet (GS1 Temporary Code) Pallet must be returned to the point of expedition. |
| 200 | Pallet ISO 0 - 1/2 EURO Pallet (GS1 Temporary Code) Standard pallet with dimensions 80 X 60 cm. |
| 201 | Pallet ISO 1 - 1/1 EURO Pallet (GS1 Temporary Code) Standard pallet with dimensions 80 X 120 cm. |
| 202 | Pallet ISO 2 (GS1 Temporary Code) Standard pallet with dimensions 100 X 120 cm. |
| 203 | 1/4 EURO Pallet (GS1 Temporary Code) Standard pallet with dimensions 60 X 40 cm. |
| 204 | 1/8 EURO Pallet (GS1 Temporary Code) Standard pallet with dimensions 40 X 30 cm. |
| 205 | Synthetic pallet ISO 1 (GS1 Temporary Code) A standard pallet with standard dimensions 80*120cm made of a synthetic material for hygienic reasons. |
| 206 | Synthetic pallet ISO 2 (GS1 Temporary Code) A standard pallet with standard dimensions 100*120cm made of a synthetic material for hygienic reasons. |
| 210 | Wholesaler pallet (GS1 Temporary Code) Pallet provided by the wholesaler. |
| 211 | Pallet 80 X 100 cm (GS1 Temporary Code) Pallet with dimensions 80 X 100 cm. |
| 212 | Pallet 60 X 100 cm (GS1 Temporary Code) Pallet with dimensions 60 X 100 cm. |
| AH | Pallet 100cms * 110cms Standard sized pallet of dimensions 100centimeters by 110 centimeters (cms). EDIFACT |
| AI | Clamshell EDIFACT |
| APE | Aluminium packed (GS1 Temporary Code) Packaging using thin sheets of aluminium. |

Used Codes

| | |
|-----|--|
| BGE | Large bag, pallet sized (GS1 Temporary Code) A non-rigid container made of fabric, paper, plastic, etc, with an opening at the top which can be closed and which is suitable for use on pallets. |
| BME | Blister pack (GS1 Temporary Code) A transparent strip package of pressable plastic which allows the product to be displayed while remaining protected. |
| BRI | Brick (GS1 Temporary Code) A box made of a cardboard, plastic or metal, used for liquids. |
| CBL | Container bottle like (GS1 Temporary Code) A non-protected, non-cylindrical, container with a narrow neck made usually of glass or plastic which is especially used for liquids, e.g. perfume bottle. |
| CCE | Cardboard carrier (GS1 Temporary Code) A package made of cardboard. |
| CM | Card A flat package usually made of fibreboard from/to which the product is often hung or attached. EDIFACT |
| E1 | Performance meat container E1 (GS1 Temporary Code) Standard performance meat container with dimensions 60 X 40 X 12,5 cm. |
| E2 | Performance meat container E2 (GS1 Temporary Code) Standard performance meat container with dimensions 60 X 40 X 20 cm. |
| E3 | Performance meat container E3 (GS1 Temporary Code) Standard performance meat container with dimensions 60 X 40 X 30 cm. |
| FOB | Folding box (GS1 Temporary Code) Folded cardboard box e.g for products like frozen vegetables, paper clips |
| FPE | Foil packed (GS1 Temporary Code) Packaging using a metallic foil. |
| LAB | Labeled package (GS1 Temporary Code) The package is labeled. Usually the label identifies the name, brand or description of the product within the package. |
| MPE | Multipack (GS1 Temporary Code) A container for the merchandising of multiple units of the same product. |
| OPE | Oxygen packed (GS1 Temporary Code) A package with oxygen added for storage purposes. |
| PAE | Paper (GS1 Temporary Code) An indication that the item(s) is packed in paper. |
| PJ | Punnet EDIFACT |

Used Codes

| | |
|-----|---|
| PLP | Peel pack (GS1 Temporary Code) A package used for sterile products which may be torn open without touching the product inside. |
| POP | Cone shaped paper wrapper (GS1 Temporary Code) Cone shaped paper wrapping e.g. for an individually packed ice cream cone. |
| PPE | Polypropylene bag (GS1 Temporary Code) A bag made from polypropylene. |
| PUE | Tray packed in plastic (GS1 Temporary Code) A board with a ring packed in plastic carrying for small articles. |
| RB3 | Wheeled pallet with raised rim. 81 x 60 x 16 cm (length x width x height). (GS1 Temporary Code) A wheeled pallet with raised rim for the storing and transporting of loads. Dimensions: 81 x 60 x 16 cm (length x width x height). |
| RCB | Two sided cage on wheels with fixing strap (GS1 Temporary Code) 900 x 770 x 1513 cm (length x width x height) A two sided cage mounted on wheels with fixing strap. Dimensions: 900 x 770 x 1513 cm (length x width x height). |
| S1 | GS1 SMART-Box Type E (GS1 Temporary Code) Standard reusable crate with dimensions 60 x 40 x 21,1 cm. |
| SEC | Article Surveillance (GS1 Temporary Code) Equipped with article surveillance. |
| SO | Spool Any cylindrical piece on which something is wound. |
| SP | Sheet, plastic wrapping EDIFACT |
| STL | Stick (GS1 Temporary Code) A container for dispensing solid substances, e.g. glue, deodorant. |
| T1 | Tablet A loose or unpacked article in the form of a bar, block or piece. EDIFACT |
| TEV | Tamper evident package (GS1 Temporary Code) A type of package giving easy or immediate recognition that the package has been tampered with after it has been sealed. |
| THE | Three pack (GS1 Temporary Code) A package containing three products. |
| TL | Tub, with lid EDIFACT |
| TRE | Trolley (GS1 Temporary Code) A low cart for the transportation and storage of groceries, milk, etc. |

Used Codes

| | |
|-------------|--|
| TTE | Tube, standing (GS1 Temporary Code) A screw-topped pliable cylinder capable of standing and suitable for holding pastes or semi-liquids, e.g. a tube of toothpaste. |
| TWE | Two pack (GS1 Temporary Code) A package containing two products. |
| UUE | Tube net (GS1 Temporary Code) A plastic or textile tube suitable for carrying loose products, e.g. fruit. |
| UVQ | Wrapped in plastic sheet (GS1 Temporary Code) An indication that the items have been wrapped in plastic sheet. |
| WRP | Wrapper (GS1 Temporary Code) Wrapping e.g. for an individually packed ice cream. |
| X11 | Banded package (GS1 Temporary Code) A package with bands, usually metal or nylon, round it to hold the products together. |
| X15 | Oneway pallet ISO 0 - 1/2 EURO Pallet (GS1 Temporary Code) Oneway pallet with dimensions 80 X 60 cm. |
| X16 | Oneway pallet ISO 1 - 1/1 EURO Pallet (GS1 Temporary Code) Oneway pallet with dimensions 80 X 120 cm. |
| X17 | Non-standard pallet (GS1 Temporary Code) Non-Standard pallet |
| X18 | Parcel with exceptional dimensions (GS1 Temporary Code) Parcel with non-standard dimensions. |
| X3 | Standard stack of stones (GS1 Temporary Code) Standard stack of stones. |
| 7085 | Cargo type classification code Code specifying the classification of a type of cargo. |
| 1 | Documents Printed, typed or written matter including leaflets, pamphlets, certificates etc., which are not subject to import duties and taxes, restrictions and prohibitions. |
| 11 | Hazardous cargo Cargo with dangerous properties, according to appropriate dangerous goods regulations. |
| 12 | General cargo Cargo of a general nature, not otherwise specified. |
| 22 | Frozen cargo Cargo of frozen products. |

Used Codes

| | |
|-------------|--|
| E2 | Deep-frozen cargo (GS1 Temporary Code) Cargo of deep-frozen products. |
| 7143 | Item type identification code Coded identification of an item type. |
| AA | Product version number Number assigned by manufacturer or seller to identify the release of a product. |
| AC | HIBC (Health Industry Bar Code) Article identifier used within health sector to indicate data used conforms to HIBC. |
| AQ | Coupon number GS1 Description: A number identifying a coupon which is attached to the identified product. |
| AT | Price look up number Identification number on a product allowing a quick electronic retrieval of price information for that product. |
| ATC | Therapeutic classification number (GS1 Temporary Code) A code to specify a product's therapeutic classification. |
| BAN | Base article node number (GS1 Temporary Code) A number which identifies a node within a base article configuration. |
| BB | Lot number A number indicating the lot number of a product. |
| BP | Buyer's part number Reference number assigned by the buyer to identify an article. GS1 Description: Reference number assigned by the buyer to identify an article. GS1 usage note: As the code values 'BP' and 'IN' are defined in the same way, it is recommended that the code value 'IN' be used to specify any article numbers assigned by the buyer. |
| BRI | Brick Code (GS1 Temporary Code) Global GS1 classification category code. Unique, permanent 10-digit key. |
| BU | Dye lot number Number identifying a dye lot. |
| BZ | Original equipment number Original equipment number allocated to spare parts by the manufacturer. |
| CG | Commodity grouping Code for a group of articles with common characteristics (e.g. used for statistical purposes). |
| DW | Drawing Reference number identifying a drawing of an article. |

Used Codes

| | |
|-----|---|
| ECP | ECLASS property (GS1 Temporary Code) Unique code which identifies the ECLASS classification property. |
| ECV | ECLASS property value (GS1 Temporary Code) Value for a property according to the ECLASS classification. |
| EWC | European Waste Catalogue (GS1 Temporary Code) Waste type number according to the European Waste Catalogue (EWC). |
| FS | Fish species Identification of fish species. |
| GAT | GPC Brick attribute type (GS1 Temporary Code) Unique 8 digit code which identifies the Global GS1 classification. |
| GAV | GPC brick attribute value (GS1 Temporary Code) Unique 8 digit code which identifies the Global GS1 classification attribute value |
| GB | Buyer's internal product group code Product group code used within a buyer's internal systems. |
| GD | Industry sector article group number/product classification code (GS1 Temporary Code) Sectoral product group or classification identification code. Administered by a sector specific agency. |
| GLN | Global Location Number (GS1 Temporary Code) Unique location number assigned by a Member Organisation of GS1. |
| GMN | Global Model Number The GMN is the GS1-identification key used to identify a product model or product family based on attributes common to the model or family as defined by industry or regulation. |
| GN | National product group code National product group code. Administered by a national agency. |
| GU | Supplier's internal article group number/product classification code (GS1 Temporary Code) Product group or classification identification code within a supplier's internal system. |
| HS | Harmonised system The item number is part of, or is generated in the context of the Harmonised Commodity Description and Coding System (Harmonised System), as developed and maintained by the World Customs Organization (WCO). |
| IB | ISBN (International Standard Book Number) Self explanatory. |
| IN | Buyer's item number The item number has been allocated by the buyer. |

Used Codes

| | |
|-----|--|
| IS | ISSN (International Standard Serial Number) Self explanatory. |
| IT | Buyer's style number Number given by the buyer to a specific style or form of an article, especially used for garments. |
| LI | Line item number (GS1 Temporary Code) Number identifying a specific line within a document/message. |
| MF | Manufacturer's (producer's) article number The number given to an article by its manufacturer. |
| MN | Model number Reference number assigned by the manufacturer to differentiate variations in similar products in a class or group. |
| NB | Batch number The item number is a batch number. GS1 Description: Number supplementing the identification code of a product used to identify the specific production place and/or time of a product. |
| PGC | Price grouping code (GS1 Temporary Code) Number assigned to identify a grouping of products based on price. |
| PV | Promotional variant number The item number is a promotional variant number. GS1 Description: Number supplementing the identification code of a product and identifying that product as a variant of the standard product. To be used when the variation is not sufficiently significant to justify a change fo the main identification code of the product. |
| RVM | Restricted circulation variable measure number (GS1 Temporary Code) A number assigned to identify a restricted circulation variable measure item. |
| SA | Supplier's article number Number assigned to an article by the supplier of that article. |
| SN | Serial number Identification number of an item which distinguishes this specific item out of a number of identical items. |
| SPP | Standard product also used in promotions (GS1 Temporary Code) Article number of a standard product which may temporarily also be used for promotional purposes, e.g. the physical product or price of the product does not change but a christmas tree is marked on the packaging to decorate the product for christmas. |
| SRS | RSK number Plumbing and heating. |

Used Codes

| | |
|-----|---|
| SRT | IFLS (Institut Francais du Libre Service) 5 digit product classification code 5 digit code for product classification managed by the Institut Francais du Libre Service. |
| SRU | IFLS (Institut Francais du Libre Service) 9 digit product classification code 9 digit code for product classification managed by the Institut Francais du Libre Service. |
| SRV | GS1 Global Trade Item Number A unique number, up to 14-digits, assigned according to the numbering structure of the GS1 system. 'GS1' stands for the 'Global Standards One'. |
| SRX | Slaughter number Unique number given by a slaughterhouse to an animal or a group of animals of the same breed. EDIFACT |
| SSS | Distributor's article identifier Identifier assigned to an article by the distributor of that article. |
| SST | Norwegian Classification system ENVA Product classification system used in the Norwegian market. EDIFACT |
| SSU | Supplier assigned Product classification assigned by the supplier. EDIFACT |
| SSV | Mexican classification system AMECE Product classification system used in the Mexican market. EDIFACT |
| SSW | German classification system CCG Product classification system used in the German market. EDIFACT |
| SSX | Finnish classification system EANFIN Product classification system used in the Finnish market. EDIFACT |
| SSY | Canadian classification system ICC Product classification system used in the Canadian market. EDIFACT |
| SSZ | Dutch classification system CBL Product classification system used in the Dutch market. EDIFACT |
| ST | Style number Number given to a specific style or form of an article, especially used for garments. |
| STA | Dutch classification system CBL Product classification system used in the Dutch market. |

Used Codes

| | |
|-----|--|
| STB | Japanese classification system JICFS Product Classification system used in the Japanese market. |
| STC | European Union dairy subsidy eligibility classification Category of product eligible for EU subsidy (applies for certain dairy products with specific level of fat content). |
| STD | GS1 Spain Classification Product classification system used in the Spanish Market. |
| STE | GS1 Poland classification system Product classification system used in the Polish market. |
| STF | Federal Agency on Technical Regulating and Metrology of the Russian Federation A Russian government agency that serves as a national standardization body of the Russian Federation. |
| STG | Efficient Consumer Response (ECR) Austria classification system Product classification system used in the Austrian market. |
| STH | GS1 Italy classification system Product classification system used in the Italian market |
| STI | CPV (Common Procurement Vocabulary) Official classification system for public procurement in the European Union. |
| STJ | IFDA (International Foodservice Distributors Association) International Foodservice Distributors Association (IFDA). |
| STK | AHFS (American Hospital Formulary Service) pharmacologic therapeutic classification. Pharmacologic therapeutic classification maintained by the American Hospital Formulary Service (AHFS). |
| STL | ATC (Anatomical Therapeutic Chemical) classification system Anatomical Therapeutic Chemical classification system maintained by the World Health Organisation (WHO). |
| STM | CLADIMED (Classification des Dispositifs Médicaux) A five level classification system for medical devices maintained by the CLADIMED organisation used in the French market. |
| STN | CMDR (Canadian Medical Device Regulations) classification system Classification system related to the Canadian Medical Device Regulations maintained by Health Canada. |
| STO | CNDM (Classificazione Nazionale dei Dispositivi Medici) A classification system for medical devices used in the Italian market. |
| STP | UK DM&D (Dictionary of Medicines & Devices) standard coding scheme A classification system for medicines and devices use in the UK market. |

Used Codes

| | |
|-----|---|
| STQ | ECLASS Standardized material and service classification and dictionary maintained by ECLASS e.V. |
| STR | EDMA (European Diagnostic Manufacturers Association) Products Classification Classification for in vitro diagnostics medical devices maintained by the European Diagnostic Manufacturers Association. |
| STS | EGAR (European Generic Article Register) A classification system for medical devices. |
| STT | GMDN (Global Medical Devices Nomenclature) Nomenclature system for identification of medical devices officially approved by the European Union. |
| STU | GPI (Generic Product Identifier) A drug classification system managed by Medi-Span. |
| STV | HCPCS (Healthcare Common Procedure Coding System) A classification system used with US healthcar insurance programs. |
| STW | ICPS (International Classification for Patient Safety) A patient safety taxonomy maintained by the World Health Organisation. |
| STX | MedDRA (Medical Dictionary for Regulatory Activities) A medical dictionary maintained by the International Federation of Pharmaceutical Manufacturers and Associations (IFPMA). |
| STY | Medical Columbus Medical product classification system used in the German market. |
| STZ | NAPCS (North American Product Classification System) Product classification system used in the North American market. |
| SUA | NHS (National Health Services) eClass Product and Service classification system used in United Kingdom market. |
| SUB | US FDA (Food and Drug Administration) Product Code Classification Database US FDA Product Code Classification Database contains medical device names and associated information developed by the Center for Devices and Radiological Health (CDRH). |
| SUC | SNOMED CT (Systematized Nomenclature of Medicine-Clinical Terms) A medical nomenclature system developed between the NHS and the College of American Pathologists. |
| SUD | UMDNS (Universal Medical Device Nomenclature System) A standard international nomenclature and computer coding system for medical devices maintained by the Emergency Care Research Institute (ECRI). |
| SUE | GS1 Global Returnable Asset Identifier, non-serialised A unique, 13-digit number assigned according to the numbering structure of the GS1 system and used to identify a type of Reusable Transport Item (RTI). |

Used Codes

| | |
|-------------|--|
| SUF | IMEI The International Mobile Station Equipment Identity (IMEI) is a unique number to identify mobile phones. It includes the origin, model and serial number of the device. The structure is specified in 3GPP TS 23.003. |
| UA | Ultimate customer's article number Number assigned by ultimate customer to identify relevant article. |
| X10 | Lottery game number (GS1 Temporary Code) The number of a lottery game. |
| X11 | Lottery pack book number (GS1 Temporary Code) The number of a lottery pack book. |
| X12 | NABCA product code (GS1 Temporary Code) NABCA code identifying alcoholic beverage brands and sizes. |
| X13 | Waste type number (GS1 Temporary Code) Identification of the type of item number. Notes: User or association defined code. May be used in combination with 1131/3055. |
| X2 | Ear-tag number (GS1 Temporary Code) Unique number given by a national authority to identify an animal individually. |
| 7273 | Service requirement code Code specifying a service requirement. |
| 1 | Carrier loads The cargo is loaded in the equipment by the carrier. |
| 2 | Full loads Container to be stuffed or stripped under responsibility and for account of the shipper or the consignee. |
| 3 | Less than full loads Container to be stuffed and stripped for account and risk of the carrier. |
| 4 | Shipper loads The cargo is loaded in the equipment by the shipper. |
| 5 | To be delivered The cargo is to be delivered as instructed. |
| 6 | To be kept The cargo is to be retained awaiting further instructions. |
| 7 | Transshipment allowed Transshipment of goods is allowed. |
| 8 | Transshipment not allowed Transshipment of goods is not allowed. |

Used Codes

| | |
|-------------|---|
| 9 | Partial shipment allowed Partial shipment is allowed. |
| 10 | Partial shipment not allowed Partial shipment is not allowed. |
| 11 | Partial shipment and/or drawing allowed Partial shipment and/or drawing is allowed. |
| 12 | Partial shipment and/or drawing not allowed Partial shipment and/or drawing is not allowed. |
| 13 | Carrier unloads The cargo is to be unloaded from the equipment by the carrier. |
| 14 | Shipper unloads The cargo is to be unloaded from the equipment by the shipper. |
| 15 | Consignee unloads The cargo is to be unloaded from the equipment by the consignee. |
| 16 | Consignee loads The cargo is to be loaded in the equipment by the consignee. |
| 19 | Direct delivery Consignment for direct delivery to the consignee. |
| 2E | Neutral delivery (GS1 Temporary Code) No specific delivery services required other than the agreed. |
| 3E | Early delivery (GS1 Temporary Code) Delivery which should take place early on a specified date. |
| 7405 | Object identification code qualifier Code qualifying the identification of an object. |
| AW | Serial shipping container code A single unique serial number which identifies shipping containers or shipping packages. GS1 Note: Replaces code BJ. |
| BJ | Serial shipping container code A single unique serial number which identifies shipping containers or shipping packages. GS1 Note: Code marked for deletion. Use AW instead. GS1 Description: A single unique serial number which identifies shipping containers or shipping packages. |
| 8051 | Transport stage code qualifier Code qualifying a specific stage of transport. |

Used Codes

| | |
|-------------|---|
| 1 | Inland transport Transport by which goods are moved from or to the frontier, or between inland points. |
| 10 | Pre-carriage transport Transport by which the goods are moved prior to their main carriage transport. |
| 11 | At border Transport by which goods are moved to the Customs frontier. |
| 12 | At departure Transport by which goods are moved from the place of departure. |
| 13 | At destination Transport by which goods are moved at the place of destination. |
| 20 | Main-carriage transport The primary stage in the movement of cargo from the point of origin to the intended destination. |
| 25 | Delivery carrier all transport Carrier responsible from the point of origin to the final delivery destination. |
| 30 | On-carriage transport Transport by which the goods are moved after the main carriage transport. |
| I | Origin switch carrier (GS1 Temporary Code) Carrier taking responsibility for the goods from the carrier which has transported them from their point of origin. |
| 8053 | Equipment type code qualifier Code qualifying a type of equipment. |
| 08 | Oneway pallet (GS1 Temporary Code) Pallet need not be returned to the point of expedition. |
| 09 | Returnable pallet (GS1 Temporary Code) Pallet must be returned to the point of expedition. |
| 200 | Pallet ISO 0 - 1/2 EURO Pallet (GS1 Temporary Code) Standard pallet with dimensions 80 X 60 cm. |
| 201 | Pallet ISO 1 - 1/1 EURO Pallet (GS1 Temporary Code) Standard pallet with dimensions 80 X 120 cm. |
| 202 | Pallet ISO 2 (GS1 Temporary Code) Standard pallet with dimensions 100 X 120 cm. |
| 203 | 1/4 EURO Pallet (GS1 Temporary Code) Standard pallet with dimensions 60 X 40 cm. |
| 204 | 1/8 EURO Pallet (GS1 Temporary Code) Standard pallet with dimensions 40 X 30 cm. |

Used Codes

| | |
|-----|--|
| 210 | Wholesaler pallet (GS1 Temporary Code) Pallet provided by the wholesaler. |
| 211 | Pallet 80 X 100 cm (GS1 Temporary Code) Pallet with dimensions 80 X 100 cm. |
| 212 | Pallet 60 X 100 cm (GS1 Temporary Code) Pallet with dimensions 60 X 100 cm. |
| AA | Ground equipment Ground equipment being fuelled or serviced. |
| AP | Clothing hanger rack Equipment used to store and transport clothing in a hanging position. |
| BC | Bottlecrate, bottlerack (GS1 Temporary Code) A container for the storage or movement of bottles. |
| BO | Bottle, non-protected, cylindrical (GS1 Temporary Code) A non-protected cylindrical container with a narrow neck made usually of glass or plastic which is especially used for liquids. |
| BOX | Box (GS1 Temporary Code) A lidded package which can be made of cardboard, wood, plastic,tin,etc. |
| BPN | Box pallet non exchangeable A box pallet which cannot be exchanged. GS1 Description: A box pallet which cannot be exchanged. |
| BPZ | Roll Pallet 1 80 X 60 cm pallet on casters. |
| BX | Boxcar An enclosed railway goods wagon. GS1 Description: An enclosed railway goods wagon. |
| CH | Chassis A wheeled carriage onto which an ocean container is mounted for inland conveyance. |
| CHB | CHEP Eurobox (GS1 Temporary Code) A box mounted on a pallet base under the control of CHEP. |
| CN | Container Equipment item as defined by ISO for transport. It must be of: A) permanent character, strong enough for repeated use; B) designed to facilitate the carriage of goods, by one or more modes of transport, without intermediate reloading; C) fitted with devices for its ready handling, particularly. |
| CS | Case (GS1 Temporary Code) A package such as a box. |

Used Codes

| | |
|-----|---|
| DPB | Roll Pallet 2 120 X 60 cm pallet on casters. |
| DPE | Display package (GS1 Temporary Code) A package used for the display of goods, usually during a promotion. |
| EFP | Exchangeable EUR flat pallet Self explanatory. GS1 Description: Self explanatory. |
| EYP | Exchangeable EUR Y box pallet Self explanatory. GS1 Description: Self explanatory. |
| FPN | Flat pallet EUR non exchangeable Self explanatory. GS1 Description: Self explanatory. |
| ICA | Isothermic case (GS1 Temporary Code) A case used for products which require constant temperature control. |
| LU | Load/unload device on equipment A mechanical device used in the loading and/or unloading of cargo into and from transport equipment. |
| PA | Pallet A platform on which goods can be stacked in order to facilitate the movement by a forklift or sling. |
| PL | Platform A piece of equipment normally having a flat surface, or prepared for carrying cargo with a specific shape. |
| PMA | Pallet modular collars 80*100 (GS1 Temporary Code) Collars, with the dimensions 80cms * 100cms, which when fitted onto a pallet enable the pallet to be transformed into a box pallet with, if necessary, a lid. |
| PMB | Pallet modular collars 80*120 (GS1 Temporary Code) Collars, with the dimensions 80cms * 120cms, which when fitted onto a pallet enable the pallet to be transformed into a box pallet with, if necessary, a lid. |
| PU | Tray (GS1 Temporary Code) A flat receptacle with low sides for carrying or holding articles. |
| RCA | Roll cage (GS1 Temporary Code) A three sided cage mounted on wheels. |
| RG | Reefer generator A generator used to control the temperature in temperature-controlled transport equipment. |

Used Codes

| | |
|-------------|--|
| RR | Rail car To identify that the equipment is a rail car. GS1 Description: Registered identification number of railway wagon (CIM 19). |
| SW | Swap body Rectangular equipment unit without wheels, which can be mounted on a chassis or positioned on legs. |
| TE | Trailer A vehicle without motive power, designed for the carriage of cargo and to be towed by a motor vehicle. |
| TRE | Trolley (GS1 Temporary Code) A low cart for the transportation and storage of groceries, milk, etc. |
| UL | ULD (Unit load device) An aircraft container or pallet. |
| 8067 | Transport mode name code Code specifying the name of a mode of transport. Notes: 1. Use UN/ECE Recommendation No 19. |
| 0 | Transport mode not specified Transport mode has not been specified. Notes: 1) This code can be used when the mode is not known or when information on is not available at the time of issuing the document concerned. |
| 1 | Maritime transport Transport of goods and/or persons is by sea. |
| 2 | Rail transport Transport of goods and/or persons is by rail. |
| 3 | Road transport Transport of goods and/or persons is by road. |
| 4 | Air transport Transport of goods and/or persons is by air. |
| 5 | Mail Method to convey goods is by mail. Notes: 1) This code is provided for practical reasons, despite the fact that mail is not a genuine mode of transport. In many countries, the value of merchandise exported by mail is considerable, but the exporter or importer concerned would be unable to state by which mode postal items had been conveyed. |

Used Codes

| | |
|-------------|---|
| 6 | Multimodal transport Method to convey goods and/or persons is by multimodal transport. |
| | Notes: 1) This code is provided for practical reasons, despite the fact that multimodal transport is not a genuine mode of transport. It can be used when goods are carried by at least two different modes from a place at which the goods are taken in charge by a transport operator to a place designated for delivery, on the basis of one transport contract. (Operations of pick-up and delivery of goods carried out in the performance of a single mode of transport, as defined in such a contract, shall not be considered as multimodal transport). |
| 7 | Fixed transport installations Transport of item is via a fixed transport installation. |
| | Notes: 1) This code applies to installations for continuous transport such as pipelines, ropeways and electric power lines. |
| 8 | Inland water transport Transport of goods and/or persons is by inland water transport. |
| 9 | Transport mode not applicable The mode of transport is not applicable. |
| 100 | Courier service (GS1 Temporary Code) A courier service used to collect and deliver a consignment to its destination. |
| 8077 | Equipment supplier code Code specifying the party that is the supplier of the equipment. |
| 1 | Shipper supplied The transport equipment is supplied by the shipper. |
| 2 | Carrier supplied The transport equipment is supplied by the carrier. |
| 8101 | Transit direction indicator code Code specifying the direction of transport. |
| BS | Buyer to supplier Self explanatory. GS1 Description: Self explanatory. |
| SB | Supplier to buyer The transport from the seller to the buyer. GS1 Description: The transport from the seller to the buyer. |

Used Codes

8155

Equipment size and type description code
Code specifying the size and type of equipment.

Notes:

1. May use codes specified in ISO 6346 for seagoing containers.

| | |
|----|---|
| 1 | Dime coated tank A tank coated with dime. GS1 Description: A non-protected cylindrical container with a narrow neck made usually of glass or plastic which is especially used for liquids. |
| 2 | Epoxy coated tank A tank coated with epoxy. GS1 Description: A tank coated with epoxy. |
| 6 | Pressurized tank A tank capable of holding pressurized goods. |
| 7 | Refrigerated tank A tank capable of keeping goods refrigerated. |
| 8 | Semi-refrigerated Self explanatory. |
| | Notes: This code value will be removed effective with directory D.04B. |
| 9 | Stainless steel tank A tank made of stainless steel. |
| 11 | Box pallet Self explanatory. |
| | Notes: This code value will be removed effective with directory D.04B. GS1 Description: A pallet with four sides of equal height which is capable of supporting a lid. |
| 12 | Europallet 80 x 120 cm. |
| 13 | Scandinavian pallet 100 x 120 cm. |
| 14 | Trailer Non self-propelled vehicle designed for the carriage of cargo so that it can be towed by a motor vehicle. |
| 16 | Exchangeable pallet Standard pallet exchangeable following international convention. |

Used Codes

| | |
|----|---|
| 17 | Semi-trailer Non self propelled vehicle without front wheels designed for the carriage of cargo and provided with a kingpin. |
| 18 | Tank container 20 ft. A tank container with a length of 20 feet. GS1 Description: A tank container with a length of 20 feet. |
| 19 | Tank container 30 ft. A tank container with a length of 30 feet. GS1 Description: A tank container with a length of 30 feet. |
| 20 | Tank container 40 ft. A tank container with a length of 40 feet. GS1 Description: A tank container with a length of 40 feet. |
| 21 | Container IC 20 ft. A container owned by InterContainer, a European railway subsidiary, with a length of 20 feet. GS1 Description: IC = InterContainer (subsidiary company of the European railway, responsible for container traffic in a rail environment for special container handling). |
| 22 | Container IC 30 ft. A container owned by InterContainer, a European railway subsidiary, with a length of 30 feet. |
| 23 | Container IC 40 ft. A container owned by InterContainer, a European railway subsidiary, with a length of 40 feet. |
| 24 | Refrigerator tank 20 ft. A refrigerated tank with a length of 20 feet. |
| 25 | Refrigerator tank 30 ft. A refrigerated tank with a length of 30 feet. |
| 26 | Refrigerator tank 40 ft. A refrigerated tank with a length of 40 feet. |
| 27 | Tank container IC 20 ft. A tank container owned by InterContainer, a European railway subsidiary, with a length of 20 feet. |
| 28 | Tank container IC 30 ft. A tank container owned by InterContainer, a European railway subsidiary, with a length of 30 feet. |
| 29 | Tank container IC 40 ft. A tank container, owned by InterContainer, a European railway subsidiary, with a length of 40 feet. |

Used Codes

| | |
|-------------|--|
| 30 | Refrigerator tank IC 20 ft. A refrigerated tank owned by InterContainer, a European railway subsidiary, with a length of 20 feet. |
| 32 | Refrigerator tank IC 40 ft. A refrigerated tank owned by InterContainer, a European railway subsidiary, with a length of 40 feet. |
| 33 | Movable case: L < 6,15m A movable case with a length less than 6,15 metres. |
| 34 | Movable case: 6,15m < L < 7,82m A movable case with a length between 6,15 metres and 7,82 metres. |
| 35 | Movable case: 7,82m < L < 9,15m A movable case with a length between 7,82 metres and 9,15 metres. |
| 36 | Movable case: 9,15m < L < 10,90m A movable case with a length between 9,15 metres and 10,90 metres. |
| 37 | Movable case: 10,90m < L < 13,75m A movable case with a length between 10,90 metres and 13,75 metres. |
| 38 | Totebin A steel open top unit of about 1,5 * 1,5 * 2,5 meters for road transport of bulk cargo. |
| 205 | Synthetic pallet ISO 1 (GS1 Temporary Code) A standard pallet with standard dimensions 80*120cm made of a synthetic material for hygienic reasons. |
| 206 | Synthetic pallet ISO 2 (GS1 Temporary Code) A standard pallet with standard dimensions 100*120cm made of a synthetic material for hygienic reasons. |
| 8169 | Full or empty indicator code Code indicating whether an object is full or empty. |
| 1 | More than one quarter volume available Self explanatory. GS1 Description: More than one quarter of the volume is available in the equipment. |
| 2 | More than half volume available Indicates that there is more than a half of the volume available. |
| 4 | Empty Indicates that the object is empty. GS1 Description: The equipment is empty. |

Used Codes

| | |
|-------------|---|
| 5 | Full Indicates that the object is full. GS1 Description: The equipment is full. |
| 6 | No volume available Indicates that there is no space available in the object. GS1 Description: No volume is available in the equipment. |
| 8179 | Transport means description code Code specifying the means of transport. |
| 1 | Barge chemical tanker A barge equipped to transport liquid chemicals. |
| 9 | Exceptional transport Transport for which common characteristics are not applicable (e.g. big transformers requiring special wagons, special tackles, special routing etc.). |
| 12 | Ship tanker A large vessel equipped to transport liquids. |
| 13 | Ocean vessel |
| 19 | Tip-up truck A truck capable of tipping up in order to deliver its load. |
| 20 | Furniture truck A truck used explicitly for the conveyance of furniture. |
| 21 | Rail tanker A rail wagon equipped to transport liquids. |
| 22 | Rail silo tanker Self explanatory. Notes: This code value will be removed effective with directory D.04B. |
| 23 | Rail bulk car A rail wagon equipped to transport bulk cargo. |
| 26 | Tip-up articulated truck An articulated truck capable of tipping up in order to deliver its load. |
| 28 | Refrigerated truck and trailer A combined truck and trailer equipped to maintain refrigerated temperatures. GS1 Description: A truck and trailer capable of transporting refrigerated goods. |

Used Codes

| | |
|----|--|
| 29 | Freezer truck and trailer A combined truck and trailer equipped to maintain freezing temperatures. GS1 Description: A truck and trailer capable of transporting frozen goods. |
| 30 | Tautliner 25 tonne, combined with 90 cubic meter trailer with removable roof A truck with non-ridged sides, 25 tonne capacity combined with a 90 cubic meter trailer with removable roof. |
| 31 | Truck An automotive vehicle for hauling goods. |
| 32 | Road tanker An over-the-road tank trucker or trailer. |
| 35 | Truck/trailer with tilt A truck and trailer combination with a tilting capability. GS1 Description: A truck/trailer fitted with a tilting mechanism. |
| 40 | Truck with opening floor A truck with an opening floor mechanism which is used to discharge the cargo. |
| 41 | Freezer truck A truck equipped to maintain freezing temperatures. |
| 42 | Isothermic truck A truck equipped to maintain controlled temperatures. |
| 43 | Refrigerated truck A truck equipped to maintain refrigerated temperatures. GS1 Description: A truck capable of transporting refrigerated goods. |
| 44 | Freezer van A small rigid covered vehicle for conveying frozen goods. GS1 Description: A van capable of transporting frozen goods. |
| 45 | Isothermic van A small rigid covered vehicle for conveying temperature controlled goods. GS1 Description: A van capable of transporting temperature controlled goods. |
| 46 | Refrigerated van A small rigid covered vehicle for conveying refrigerated goods. GS1 Description: A van capable of transporting refrigerated goods. |
| 47 | Bulk truck A truck suitable for transporting bulk goods. |
| 48 | Van A small vehicle suitable for carrying small volume loads. |

Used Codes

| | |
|----|--|
| 73 | Train with more than one and less than 20 wagons A train with more than one and less than 20 wagons used to carry goods. |
| 74 | Train with 20 or more wagons A train with 20 or more wagons used to carry goods. |
| 77 | Freezer truck and isothermic trailer A combined freezer truck and isothermic trailer. |
| 78 | Isothermic truck and isothermic trailer A truck and a trailer equipped to maintain controlled temperatures. |
| 79 | Refrigerated truck and isothermic trailer A combined refrigerated truck and isothermic trailer. |
| 80 | Freezer truck and refrigerated trailer A combined freezer truck and refrigerated trailer. |
| 81 | Isothermic truck and refrigerated trailer A combined isothermic truck and refrigerated trailer. |
| 82 | Rigid truck with tank and tank trailer A combined rigid truck with tank and tank trailer. |
| 83 | Bulk truck and tank trailer A combined truck capable of carrying liquids or bulk goods and a tank trailer. |
| 84 | Rigid truck with tank and bulk trailer A combined rigid truck with tank and a trailer capable of carrying liquids or bulk goods. |
| 85 | Bulk truck and bulk trailer A combined truck and a trailer both capable of carrying liquids or bulk goods. |
| 86 | Tautliner truck and extendable trailer A combined tautliner truck and extendable trailer. |
| 87 | Tautliner truck with removable roof and extendable trailer A combined tautliner truck with removable roof and extendable trailer. |
| 88 | Truck with opening floor and extendable trailer A combined truck with opening floor and extendable trailer. |
| 89 | Bulk truck and extendable trailer A combined truck capable of carrying liquids or bulk goods and an extendable trailer. |
| 90 | Isothermic truck and freezer trailer A combined isothermic truck and freezer trailer. |
| 91 | Refrigerated truck and freezer trailer A combined refrigerated truck and freezer trailer. |

Used Codes

| | |
|-----|---|
| 92 | <p>Tip-up truck and gondola trailer</p> <p>A combined tip-up truck and gondola trailer. A gondola trailer is a split level trailer suitable for the transport of heavy machinery.</p> |
| 93 | <p>Tautliner truck and gondola trailer</p> <p>A combined tautliner truck and gondola trailer. A gondola trailer is a split level trailer suitable for the transport of heavy machinery.</p> |
| 94 | <p>Tautliner truck with removable roof and gondola trailer</p> <p>A combined tautliner truck with removable roof and gondola trailer. A gondola trailer is a split level trailer suitable for the transport of heavy machinery.</p> |
| 95 | <p>Truck with opening floor and gondola trailer</p> <p>A combined truck with opening floor and gondola trailer. A gondola trailer is a split level trailer suitable for the transport of heavy machinery.</p> |
| 96 | <p>Bulk truck and gondola trailer</p> <p>A combined truck capable of carrying liquids or bulk goods and a gondola trailer. A gondola trailer is a split level trailer suitable for the transport of heavy machinery.</p> |
| 97 | <p>Tip-up truck and extendable gondola trailer</p> <p>A combined tip-up truck with extendable gondola trailer. An extendable gondola trailer is a trailer fitted with a rear axle which can be extended to cater for variable length and is suitable for the transport of heavy machinery.</p> |
| 98 | <p>Tautliner truck and extendable gondola trailer</p> <p>A combined tautliner truck and extendable gondola trailer. An extendable gondola trailer is a trailer fitted with a rear axle which can be extended to cater for variable length and is suitable for the transport of heavy machinery.</p> |
| 99 | <p>Tautliner truck with removable roof and extendable gondola trailer</p> <p>A combined tautliner truck with removable roof and extendable gondola trailer. An extendable gondola trailer is a trailer fitted with a rear axle which can be extended to cater for variable length and is suitable for the transport of heavy machinery.</p> |
| 100 | <p>Truck with opening floor and extendable gondola trailer</p> <p>A combined truck with opening floor and extendable gondola trailer. An extendable gondola trailer is a trailer fitted with a rear axle which can be extended to cater for variable length and is suitable for the transport of heavy machinery.</p> |
| 101 | <p>Bulk truck and extendable gondola trailer</p> <p>A combined truck capable of carrying liquids or bulk goods and a extendable gondola trailer. An extendable gondola trailer is a trailer fitted with a rear axle which can be extended to cater for variable length and is suitable for the transport of heavy machinery.</p> |
| 102 | <p>Tip-up truck and trailer with opening floor</p> <p>A combined tip-up truck and trailer with opening floor.</p> |
| 103 | <p>Tautliner truck and trailer with opening floor</p> <p>A combined tautliner truck and trailer with opening floor.</p> |

Used Codes

| | |
|------|---|
| 104 | Tautliner truck with removable roof and trailer with opening floor A combined tautliner truck with removable roof and trailer with opening floor. |
| 106 | Bulk truck and trailer with opening floor A combined truck capable of carrying liquids or bulk goods and a trailer with opening floor. |
| 3138 | Armoured vehicle Automotive vehicle designed with fortified body for enhanced protection. |
| 10E | Tautliner 25t (GS1 Temporary Code) A 25t Tautliner truck/trailer. |
| 11E | Tautliner 25t with removable roof (GS1 Temporary Code) A 25t Tautliner truck/trailer with removable roof. |
| 12E | Articulated flat lorry 25t (GS1 Temporary Code) An articulated flat lorry capable of carrying loads of 25 tonnes. |
| 13E | Articulated flat lorry 24t with crane 10m (GS1 Temporary Code) An articulated flat lorry with a 10 meter crane capable of carrying loads of 24 tonnes. |
| 14E | Articulated flat lorry 24t with crane 15m (GS1 Temporary Code) An articulated flat lorry with a 15 meter crane capable of carrying loads of 24 tonnes. |
| 15E | Articulated flat lorry 24t with crane 18m (GS1 Temporary Code) An articulated flat lorry with a 18 meter crane capable of carrying loads of 24 tonnes. |
| 16E | Articulated flat lorry 10t (GS1 Temporary Code) An articulated flat lorry capable of carrying loads of 10 tonnes. |
| 17E | Tautliner 25t with trailer 90m3 (GS1 Temporary Code) A 25t Tautliner truck/trailer with a 90 m3 trailer. |
| 18E | Tautliner 25t with trailer 120m3 (GS1 Temporary Code) A 25t Tautliner truck/trailer with a 120 m3 trailer. |
| 19E | Flat lorry with trailer and crane 10m (GS1 Temporary Code) An flat lorry with a trailer and a 10 meter crane. |
| 20E | Articulated lorry with tank (GS1 Temporary Code) An articulated lorry fitted with a tank capable of carrying liquids or bulk goods.. |
| 21E | Flat lorry 15t (GS1 Temporary Code) A flat lorry capable of carrying loads of 15 tonnes. |
| 22E | Flat lorry 25t with crane (GS1 Temporary Code) An flat lorry fitted with a crane and capable of carrying loads of 25 tonnes. |

Used Codes

| | |
|-----|---|
| 27E | Isothermic trailer (GS1 Temporary Code) A trailer capable of transporting temperature controlled goods. |
| 28E | Refrigerated trailer (GS1 Temporary Code) A trailer capable of transporting refrigerated goods. |
| 32E | Trailer (GS1 Temporary Code) A trailer suitable for transporting containerised or palletized goods. |
| 33E | Tank trailer (GS1 Temporary Code) A tank trailer suitable for transporting liquids. |
| 34E | Bulk trailer (GS1 Temporary Code) A trailer suitable for transporting bulk goods. |
| 37E | Extendable trailer (GS1 Temporary Code) A trailer fitted with a rear axle which can be extended to cater for variable length loads. |
| 38E | Dolly trailer (GS1 Temporary Code) A trailer composed of a platform mounted on an axle. The trailer is not connected directly to the truck but connected by the load. |
| 39E | Freezer trailer (GS1 Temporary Code) A trailer suitable for transporting frozen goods. |
| 41E | Furniture removal trailer (GS1 Temporary Code) A trailer used explicitly for the removal of furniture. |
| 44E | Gondola trailer (GS1 Temporary Code) A split level trailer suitable for the transport of heavy machinery (e.g. earth movers). |
| 45E | Extendable gondola trailer (GS1 Temporary Code) A trailer fitted with a rear axle which can be extended to cater for variable length loads and is suitable for the transport of heavy machinery (e.g. earth movers). |
| 46E | Rigid lorry with tank (GS1 Temporary Code) A rigid lorry fitted with a tank capable of carrying liquids or bulk goods. |
| 50E | Tautliner rigid truck (GS1 Temporary Code) A Tautliner rigid truck. |
| 51E | Tautliner rigid truck with removable roof (GS1 Temporary Code) A Tautliner rigid truck with removable roof. |
| 53E | Trailer with opening floor (GS1 Temporary Code) A trailer with an opening floor mechanism which is used to discharge the cargo. |
| 54E | Train with convergent set of wagons (GS1 Temporary Code) A train with wagons coming from different despatch locations which must be grouped in order to form one train. |

Used Codes

| | |
|-----|--|
| 55E | <p>Train with divergent set of wagons (GS1 Temporary Code)</p> <p>A train with wagons coming from the same dispatch location which will be split in different trains because there are more than one point of delivery.</p> |
| 56E | <p>Combination of a truck (length 6 m) and a trailer (length 8 m) (GS1 Temporary Code)</p> <p>Combination of a truck (length 6 m) and a trailer (length 8m) having a combined tonnage of between 23 and 25 tons and a loading capacity of 90m3.</p> |
| 57E | <p>Combination of a truck (length 6 m) and a trailer (length 9 m) (GS1 Temporary Code)</p> <p>Combination of a truck (length 6m) and a trailer (length 9m) having a combined tonnage of between 23 and 25 tons and a loading capacity of 100m3.</p> |
| 58E | <p>Combination of a truck and trailer with a length of 13.6m, a tonnage between 23 and 25 tons (GS1 Temporary Code)</p> <p>Combination of a truck and a trailer with a length of 13.6m, a tonnage between 23 and 25 tons, and a loading capacity of 80 m3.</p> |
| 59E | <p>Rail wagon (GS1 Temporary Code)</p> <p>A single rail wagon used to carry goods.</p> |
| 77E | <p>Furniture truck and trailer (GS1 Temporary Code)</p> <p>A combined truck and trailer capable of carrying furniture.</p> |
| 78E | <p>Tautliner truck and furniture trailer (GS1 Temporary Code)</p> <p>A combined tautliner truck and furniture trailer.</p> |
| 79E | <p>Tautliner truck with removable roof and furniture trailer (GS1 Temporary Code)</p> <p>A combined .tautliner truck with removable roof and furniture trailer.</p> |
| 93E | <p>Truck and trailer with opening floor (GS1 Temporary Code)</p> <p>A combined truck and a trailer with an opening floor.</p> |
| 95E | <p>Tautliner truck and dolly trailer (GS1 Temporary Code)</p> <p>A combined tautliner truck and a dolly trailer.</p> |
| 96E | <p>A tautliner truck with removable roof and a dolly trailer (GS1 Temporary Code)</p> <p>A combined tautliner truck with removable roof and a dolly trailer.</p> |
| 97E | <p>Truck with trailer (GS1 Temporary Code)</p> <p>Combined truck and trailer.</p> |
| 98E | <p>Truck with crane for moving goods without trailer (GS1 Temporary Code)</p> <p>A truck with a crane that enables to move goods, without trailer.</p> |
| 99E | <p>Truck with crane for moving goods with trailer (GS1 Temporary Code)</p> <p>A truck with a crane that enables to move goods, with trailer.</p> |
| X01 | <p>Truck with crane for lifting goods without trailer (GS1 Temporary Code)</p> <p>A truck with a crane that enables to lift goods, without trailer.</p> |

Used Codes

| | |
|-------------|--|
| X02 | Truck with crane for lifting goods with trailer (GS1 Temporary Code) A truck with a crane that enables to lift goods, with trailer. |
| X04 | Courier express (GS1 Temporary Code) Use the fastest courier means possible. |
| X05 | Road parcel express (GS1 Temporary Code) Parcel express service by road. |
| X06 | Air freight (GS1 Temporary Code) Air freight delivery service. |
| X07 | Surface air lifting (GS1 Temporary Code) Surface air lifting postal service. |
| X08 | Air express (GS1 Temporary Code) Air express delivery service. |
| X09 | Parcel post (GS1 Temporary Code) Postal service for the delivery of parcels. |
| X10 | Mail express (GS1 Temporary Code) The express mail service of the postal service. |
| X11 | Surface mail (GS1 Temporary Code) For non air mail international mailing. |
| X12 | Accelerated surface mail (GS1 Temporary Code) Higher priority surface mail. |
| X13 | Air mail (GS1 Temporary Code) Use air mail service. |
| X14 | Printed matter/book post (GS1 Temporary Code) A special mailing service for printed matter or books. |
| X15 | Parcel delivery registered (GS1 Temporary Code) Service for the delivery of registered parcels |
| X16 | Parcel delivery express service registered (GS1 Temporary Code) Express service for the delivery of registered parcels |
| X3 | Truck up to 3,5 tons (GS1 Temporary Code) A truck with a total weight up to 3,5 tons. |
| X4 | Miscellaneous transport means (GS1 Temporary Code) Miscellaneous means of transport not further defined. |
| 8249 | Equipment status code Code specifying the status of equipment. |
| 4E | Empty (GS1 Temporary Code) Empty transport equipment. |

Used Codes

| | |
|-------------|---|
| 5E | Full (GS1 Temporary Code) Full transport equipment. |
| 8273 | Dangerous goods regulations code Code specifying a dangerous goods regulation. |
| ADR | European agreement regarding the total carriage of dangerous goods European agreement on the international carriage of dangerous goods on road. ADR is the abbreviation of "Accord europeen relatif au transport international des marchandises dangereuses par route". |
| CFR | 49 code of federal regulations United States federal regulations issued by the US Department of transportation covering the domestic transportation of dangerous goods by truck, rail, water and air. |
| ICA | IATA ICAO Regulations covering the international transportation of dangerous goods issued by the International Air Transport Association and the International Civil Aviation Organization. |
| IMD | IMO IMDG code Regulations regarding the transportation of dangerous goods on ocean-going vessels issued by the International Maritime Organization. |
| RID | Rail/road dangerous goods book (RID) International regulations concerning the international carriage of dangerous goods by rail. RID is the abbreviation of "Reglement International concernant le transport des marchandises Dangereuses par chemin de fer". GS1 Description: International reglementation in dangerous goods transportation, applicable in Rail and Road environment. RID is the abbreviation of "Reglement International des marchandises Dangereuses". |
| TEC | Transport emergency trem card (GS1 Temporary Code) A card providing details on procedures for emergencies during transportation. |
| UI | UK IMO book Description to be provided. GS1 Description: UK regulations/procedures for emergencies during transportation. |
| 8323 | Transport movement code Code specifying the transport movement. |
| 1 | Export Self explanatory. |
| 2 | Import Self explanatory. |

Used Codes

| | |
|---|---|
| 3 | Transit The cargo is moving in transit through a country and will not become part of the commerce of that country. |
|---|---|

| | |
|-------------|--|
| 8325 | Hazardous means of transport category code Code specifying the category of means of transport for carrying hazardous goods. |
|-------------|--|

| | |
|---|---|
| 1 | ADNR code, OS Description to be provided. Notes: This code value will be removed effective with directory D.04B. |
|---|---|

| | |
|-------------|--|
| 8339 | Packaging danger level code Code specifying the level of danger for which the packaging must cater. |
|-------------|--|

| | |
|---|---|
| 1 | Great danger Packaging meeting criteria to pack hazardous materials with great danger. Group I according to IATA/IMDG/ADR/RID regulations. |
|---|---|

| | |
|---|--|
| 2 | Medium danger Packaging meeting criteria to pack hazardous materials with medium danger. Group II according to IATA/IDMG/ADR/RID regulations. |
|---|--|

| | |
|---|---|
| 3 | Minor danger Packaging meeting criteria to pack hazardous materials with minor danger. Group III according to IATA/IDMG/ADR/RID regulations. |
|---|---|

| | |
|---|--|
| 4 | Not assigned No packaging danger level has been assigned. No packaging danger level assigned. None available to comply with the IATA/IDMG/ADR/RID regulations. |
|---|--|

| | |
|-------------|--|
| 8453 | Transport means nationality code Code specifying the nationality of a means of transport. |
|-------------|--|

Notes:
| 1. Use ISO 3166-1 two alpha country code.

| | |
|----|---------|
| AD | Andorra |
|----|---------|

| | |
|----|----------------------|
| AE | United Arab Emirates |
|----|----------------------|

| | |
|----|-------------|
| AF | Afghanistan |
|----|-------------|

| | |
|----|---------------------|
| AG | Antigua and Barbuda |
|----|---------------------|

| | |
|----|----------|
| AI | Anguilla |
|----|----------|

| | |
|----|---------|
| AL | Albania |
|----|---------|

| | |
|----|---------|
| AM | Armenia |
|----|---------|

Used Codes

| | |
|----|----------------------------------|
| AO | Angola |
| AQ | Antarctica |
| AR | Argentina |
| AS | American Samoa |
| AT | Austria |
| AU | Australia |
| AW | Aruba |
| AX | Åland Islands |
| AZ | Azerbaijan |
| BA | Bosnia and Herzegovina |
| BB | Barbados |
| BD | Bangladesh |
| BE | Belgium |
| BF | Burkina Faso |
| BG | Bulgaria |
| BH | Bahrain |
| BI | Burundi |
| BJ | Benin |
| BL | Saint Barthélemy |
| BM | Bermuda |
| BN | Brunei Darussalam |
| BO | Bolivia (Plurinational State of) |
| BQ | Bonaire, Sint Eustatius and Saba |
| BR | Brazil |
| BS | Bahamas |
| BT | Bhutan |
| BV | Bouvet Island |
| BW | Botswana |
| BY | Belarus |
| BZ | Belize |
| CA | Canada |
| CC | Cocos (Keeling) Islands |
| CD | Congo, Democratic Republic of |

Used Codes

| | |
|----|----------------------------------|
| CF | Central African Republic |
| CG | Congo |
| CH | Switzerland |
| CI | Cote D'Ivoire |
| CK | Cook Islands |
| CL | Chile |
| CM | Cameroon |
| CN | China |
| CO | Colombia |
| CR | Costa Rica |
| CU | Cuba |
| CV | Cape Verde |
| CW | Curaçao |
| CX | Christmas Island |
| CY | Cyprus |
| CZ | Czechia |
| DE | Germany |
| DJ | Djibouti |
| DK | Denmark |
| DM | Dominica |
| DO | Dominican Republic |
| DZ | Algeria |
| EC | Ecuador |
| EE | Estonia |
| EG | Egypt |
| EH | Western Sahara |
| ER | Eritrea |
| ES | Spain |
| ET | Ethiopia |
| FI | Finland |
| FJ | Fiji |
| FK | Falkland Islands (Malvinas) |
| FM | Micronesia (Federated States of) |

Used Codes

| | |
|----|--|
| FO | Faroe Islands |
| FR | France |
| GA | Gabon |
| GB | United Kingdom of Great Britain and Northern Ireland |
| GD | Grenada |
| GE | Georgia |
| GF | French Guiana |
| GG | Guernsey |
| GH | Ghana |
| GI | Gibraltar |
| GL | Greenland |
| GM | Gambia |
| GN | Guinea |
| GP | Guadeloupe |
| GQ | Equatorial Guinea |
| GR | Greece |
| GS | South Georgia and the South Sandwich Islands |
| GT | Guatemala |
| GU | Guam |
| GW | Guinea-Bissau |
| GY | Guyana |
| HK | Hong Kong |
| HM | Heard Island and McDonald Islands |
| HN | Honduras |
| HR | Croatia |
| HT | Haiti |
| HU | Hungary |
| ID | Indonesia |
| IE | Ireland |
| IL | Israel |
| IM | Isle Of Man |
| IN | India |
| IO | British Indian Ocean Territory |

Used Codes

| | |
|----|---|
| IQ | Iraq |
| IR | Iran (Islamic Republic of) |
| IS | Iceland |
| IT | Italy |
| JE | Jersey |
| JM | Jamaica |
| JO | Jordan |
| JP | Japan |
| KE | Kenya |
| KG | Kyrgyzstan |
| KH | Cambodia |
| KI | Kiribati |
| KM | Comoros |
| KN | Saint Kitts and Nevis |
| KP | Korea (Democratic People'S Republic of) |
| KR | Korea, Republic of |
| KW | Kuwait |
| KY | Cayman Islands |
| KZ | Kazakhstan |
| LA | Lao People'S Democratic Republic |
| LB | Lebanon |
| LC | Saint Lucia |
| LI | Liechtenstein |
| LK | Sri Lanka |
| LR | Liberia |
| LS | Lesotho |
| LT | Lithuania |
| LU | Luxembourg |
| LV | Latvia |
| LY | Libya |
| MA | Morocco |
| MC | Monaco |
| MD | Moldova, Republic of |

Used Codes

| | |
|----|--|
| ME | Montenegro |
| MF | Saint Martin (French Part) |
| MG | Madagascar |
| MH | Marshall Islands |
| MK | Macedonia, the Former Yugoslav Republic of |
| ML | Mali |
| MM | Myanmar |
| MN | Mongolia |
| MO | Macao |
| MP | Northern Mariana Islands |
| MQ | Martinique |
| MR | Mauritania |
| MS | Montserrat |
| MT | Malta |
| MU | Mauritius |
| MV | Maldives |
| MW | Malawi |
| MX | Mexico |
| MY | Malaysia |
| MZ | Mozambique |
| NA | Namibia |
| NC | New Caledonia |
| NE | Niger |
| NF | Norfolk Island |
| NG | Nigeria |
| NI | Nicaragua |
| NL | Netherlands |
| NO | Norway |
| NP | Nepal |
| NR | Nauru |
| NU | Niue |
| NZ | New Zealand |
| OM | Oman |

Used Codes

| | |
|----|--|
| PA | Panama |
| PE | Peru |
| PF | French Polynesia |
| PG | Papua New Guinea |
| PH | Philippines |
| PK | Pakistan |
| PL | Poland |
| PM | Saint Pierre and Miquelon |
| PN | Pitcairn |
| PR | Puerto Rico |
| PS | Palestine, State of |
| PT | Portugal |
| PW | Palau |
| PY | Paraguay |
| QA | Qatar |
| RE | Reunion |
| RO | Romania |
| RS | Serbia |
| RU | Russian Federation |
| RW | Rwanda |
| SA | Saudi Arabia |
| SB | Solomon Islands |
| SC | Seychelles |
| SD | Sudan |
| SE | Sweden |
| SG | Singapore |
| SH | Saint Helena, Ascension and Tristan da Cunha |
| SI | Slovenia |
| SJ | Svalbard and Jan Mayen |
| SK | Slovakia |
| SL | Sierra Leone |
| SM | San Marino |
| SN | Senegal |

Used Codes

| | |
|----|--------------------------------------|
| SO | Somalia |
| SR | Suriname |
| SS | South Sudan |
| ST | Sao Tome and Principe |
| SV | El Salvador |
| SX | Sint Maarten (Dutch part) |
| SY | Syrian Arab Republic |
| SZ | Swaziland |
| TC | Turks and Caicos Islands |
| TD | Chad |
| TF | French Southern Territories |
| TG | Togo |
| TH | Thailand |
| TJ | Tajikistan |
| TK | Tokelau |
| TL | Timor-Leste |
| TM | Turkmenistan |
| TN | Tunisia |
| TO | Tonga |
| TR | Turkey |
| TT | Trinidad and Tobago |
| TV | Tuvalu |
| TW | Taiwan, Province of China |
| TZ | Tanzania, United Republic of |
| UA | Ukraine |
| UG | Uganda |
| UM | United States Minor Outlying Islands |
| US | United States of America |
| UY | Uruguay |
| UZ | Uzbekistan |
| VA | Holy See |
| VC | Saint Vincent and the Grenadines |
| VE | Venezuela (Bolivarian Republic of) |

Used Codes

| | |
|-------------|---|
| VG | Virgin Islands, British |
| VI | Virgin Islands, U.S. |
| VN | Viet Nam |
| VU | Vanuatu |
| WF | Wallis and Futuna |
| WS | Samoa |
| YE | Yemen |
| YT | Mayotte |
| ZA | South Africa |
| ZM | Zambia |
| ZW | Zimbabwe |
| 9303 | Sealing party name code Code specifying the name of the sealing party. |
| CA | Carrier Party undertaking or arranging transport of goods between named points. |
| CU | Customs 'Customs' means the Government Service which is responsible for the administration of Customs law and the collection of duties and taxes and which also has the responsibility for the application of other laws and regulations relating to the importation, exportation, movement or storage of goods. |
| SH | Shipper Party which, by contract with a carrier, consigns or sends goods with the carrier, or has them conveyed by him. |
| TO | Terminal operator Party which handles the loading and unloading of marine vessels. |
| 9353 | Government procedure code Code specifying a government procedure. |
| 1 | Already customs cleared in the importing country Arrangements for inspection are not necessary because they were cleared before. |
| 2 | Documents requirements completed All requirements for documents have been completed. |
| 3 | Documents required Pertinent documents are required |
| 5 | Inspection arrangements required Arrangements for inspection of the cargo are required. |

Used Codes

9411 Government involvement code
Code indicating the requirement and status of governmental involvement.

6 Required
Procedures are required.

9415 Government agency identification code
Code identifying a government agency.

5 Customs
Customs authorities.

7 Health certificate
Health authorities.

10 Live animals
Government agency responsible for the importation of live animals.

Example

UNA:+.?*'

UNA:+.?*'

UNB+UNOA:4+4012345000009:14:1+4000004000002:14:4000004000099+20151013:1043+12345555+REF:AA++A+1+EANCOM-DISI+1'

UNB+UNOC:4+5412345678908:14+8798765432106:14+20020102:1000+12345555++++EANCOMREF 52'

UNH+X+IFCSUM:D:01B:UN:EAN004:X'

UNH+ME000001+IFCSUM:D:01B:UN:EAN004'

BGM+335:::X+X+1'

BGM+610+569952+9'

DTM+17:X:102'

DTM+137:20020112:102'

FTX+AAI+1+1E:23:91+X:X:X:X:X+AA'

FTX+AAI+1+002::91'

CNT+7:9:H87'

CNT+11:566'

RFF+ACD:X'

RFF+TRI:6214'

DTM+171:X:102'

DTM+171:20020105:102'

NAD+BY+5412345000013::9+X::::X+P1:P2:P3:P4:P5:1+S1:S1:S1:X+DUB+IRL:23:2:X+4+IE'

NAD+DGC+5411234512309::9'

TCC+101021::6:X::X+FR:23:X6:::23:9:::23:9'

TCC+101021::6+FR::X6'

CUX+2:EUR:10+3:EUR:10:9+9'

CUX+2:EUR:10+3:USD:4+0.90243'

TDT+20+X+100+23:X+X:23:9:X+++X:23:9:1:AD'

TDT+20++30+31'

TSR+2:23:2+1:23:2:1:23:2+1:23:2'

TSR+3+1'

LOC+9+X:23:9:X'

LOC+9+5412345678908::9'

DTM+189:X:102'

DTM+189:200201151000:203'

NAD+CA+X::9+X::::X+X:X:X:X:X:1+X:X:X:X+X+X:23:2:X+X+AD'

NAD+CZ+5411234512309::9'

NAD+CA+5412345123458::9'

LOC+5+X:23:9:X'

LOC+5+5412345678908::9'

CTA+IC+X:X'

CTA+IC+:G REID'

COM+X:EM'

Example

| |
|--|
| COM+0033148759632:FX' |
| DOC+811:23:2+X:9:X:AA++9+9' DOC+811+1253D' |
| DTM+7:X:102' DTM+137:20020115:102' |
| EQD+CN+X:23:9:AD+6:23:2:X+1+4E+4' EQD+UL+45223' |
| EQN+9' EQN+1' |
| SEL+X+CA:23:2:X+1' SEL+96753+SH' |
| NAD+CK+X::9+X:::X+X:X:X:X:1+X:X:X+X+X:23:2:X+X+AD' NAD+CK+3323456007896::9' |
| CNI+9+X:1+9' CNI+12+AVV23441' |
| DTM+2:X:102' DTM+2:19960115:102' |
| CNT+11:9:58' CNT+11:42' |
| TSR+2:23:2+1:23:2:1:23:2+1:23:2' TSR+3+1' |
| MOA+22:9:EUR' MOA+157:62112' |
| FTX+AAI+1+1E:23:91+X:X:X:X+AA' FTX+DEL+1+002::91' |
| TOD+2+CC+01E:23:2:X:X' TOD+6++CFR:2E:9' TOD+6++CIF:2E:9' |
| LOC+1+X:23:6:X' LOC+1+BE-BRU' |
| RFF+CT:X' RFF+CT:76214' |
| DTM+171:X:102' DTM+171:19931125:102' |
| GOR+1+5:6::1+5:6::1+5:6::1+5:6::1' GOR+1+5:6::5' |
| DTM+2:X:2' DTM+192:19990605:102' |
| LOC+42+X:23:3:X' LOC+42+BE-BRU' |
| SEL+X+CA:23:2:X+1' SEL+4282+CA::EUROLOG' |
| FTX+1E+1+1E:23:91+X:X:X:X+AA' |

Example

FTX+CIP+1+001::91'

DOC+821:23:2:X+X:2:X:AA++9+9'
DOC+822+12345:2'

DTM+7:X:2'
DTM+137:19990605:102'

TDT+1+X+100+1:X+X:23:9:X+BS++X:23:2:X:AD'
TDT+20++30+31'

DTM+133:X:102'
DTM+133:200212151000:203'

LOC+1+X:23:9:X'
LOC+9+5412345678908::9'

DTM+2:X:2'
DTM+133:20021210:102'

RFF+AWB:X'
RFF+AWB:2345362'

DTM+171:X:2'
DTM+171:20021210:102'

NAD+CN+X::9+X:::X+X:X:X:X:X:1+X:X:X:X+X+X:23:2:X+X+AD'
NAD+CN+5411234512309::9'

LOC+7+X:23:9:X'
LOC+7+5412345678908::9'

MOA+22:9:EUR'
MOA+22:15000:EUR'

CTA+IC+X:X'
CTA+TR+:G REID'

COM+X:EM'
COM+0033148759632:FX'

DOC+811:23:2+X::X:AA++9+9'
DOC+811+1253D'

DTM+7:X:102'
DTM+137:19931210:102'

RFF+CT:X'
RFF+CT:6532'

GID+9+9:CT::9+9:CT::9+9:CT::9+9:08::9+9:08::9'
GID+1+1:09::9+6:CT'

HAN+BIG:23:9:X+X:ADR:9:X'
HAN+EAT::9'

TMP+1+999:CEL'
TMP+1+40:CEL'

RNG+5+CEL:9:9'
RNG+5+CEL:40:45'

MOA+40:9:EUR'
MOA+40:45300:EUR'

Example

PIA+1+X:HS:23:9+X:AA:23:2+X:AA:23:2+X:AA:23:2+X:AA:23:2'
PIA+1+HS003211:HS'

FTX+AAA+1+1E:23:9+X:X:X:X+AA '
FTX+AAA+++SPARE PARTS COMPUTER MB'

NAD+DP+X::9+X:::X+X:X:X:X:X:1+X:X:X:X+X:23:2:X+X+AD '
NAD+PW+5411234512309::9'
NAD+DP+5412345123453::9'

DTM+2:X:102 '
DTM+191:19960120:102'

GDS+11:23:2 '
GDS+11'

MEA+AAE+AAB:3+MTR:9:9:9:1 '
MEA+AAE+G+KGM:1600'

EQN+9 '
EQN+10'

DIM+1+MTR:9:9:9 '
DIM+1+MTR:4:2:2'

EQN+9 '
EQN+40'

RFF+CT:X '
RFF+CT:52441'

DTM+171:X:102 '
DTM+171:19960110:102'

PCI+39+X:X:X:X:X:X:X:X:X '
PCI+39'

GIN+AW+X:X+X:X+X:X+X:X+X '
GIN+AW+354123450000000014'

DOC+811:23:2+X:2:X:AA++9+9 '
DOC+811+52441'

DTM+7:X:102 '
DTM+36:19940101:102'

SGP+X:23:2:AD+9 '
SGP+AS-12388'

DGS+ADR+X:X:X+9999:X+999:CEL+1+X+X+X+X:XXXX+X:X:X+X+1+X '
DGS+ADR+3B+1178+021:CEL'

FTX+AAC+1+1E:23:89+X:X:X:X+AA '
FTX+AAC+++DIETHYL ACETALDEHYDE'

CTA+HE+X:X '
CTA+HG+:J REEVES'

COM+X:EM '
COM+0033148759632:TE'

MEA+AAE+AAB:3+MTR:9:9::1 '
MEA+AAE+G:4+LTR:500'

Example

EQN+9'

EQN+1'

EQD+CN+X:23:9:AD+6:23:2:X+1+4E+4'

EQD+UL+45223'

EQN+9'

EQN+10'

MEA+SH+AAA:3:42+KGM:9'

MEA+AAE+G+TNE:5622'

DIM+3+CMT:9:9:9'

DIM+1+CMT:2:2:1'

SEL+X+CA:23:2:X+1'

SEL+96753+SH'

NAD+CK+X::9+X::::X+X:X:X:X:X:1+X:X:X:X+X:23:2:X+X+AD'

NAD+CK+3323456007896::9'

UNT+89+X'

UNT+89+ME000001'

UNZ+1+12345555'

UNZ+5+12345555'
